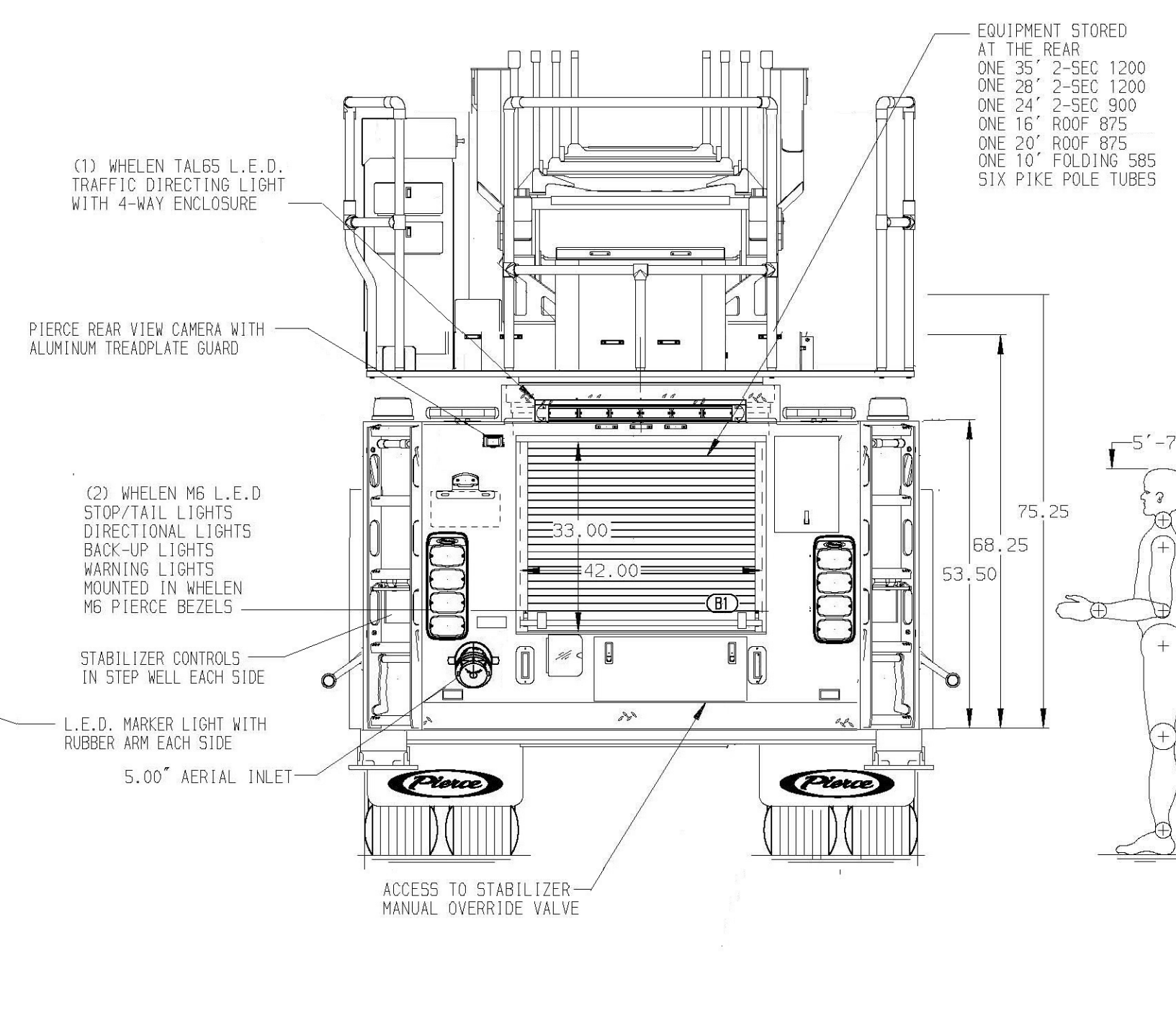
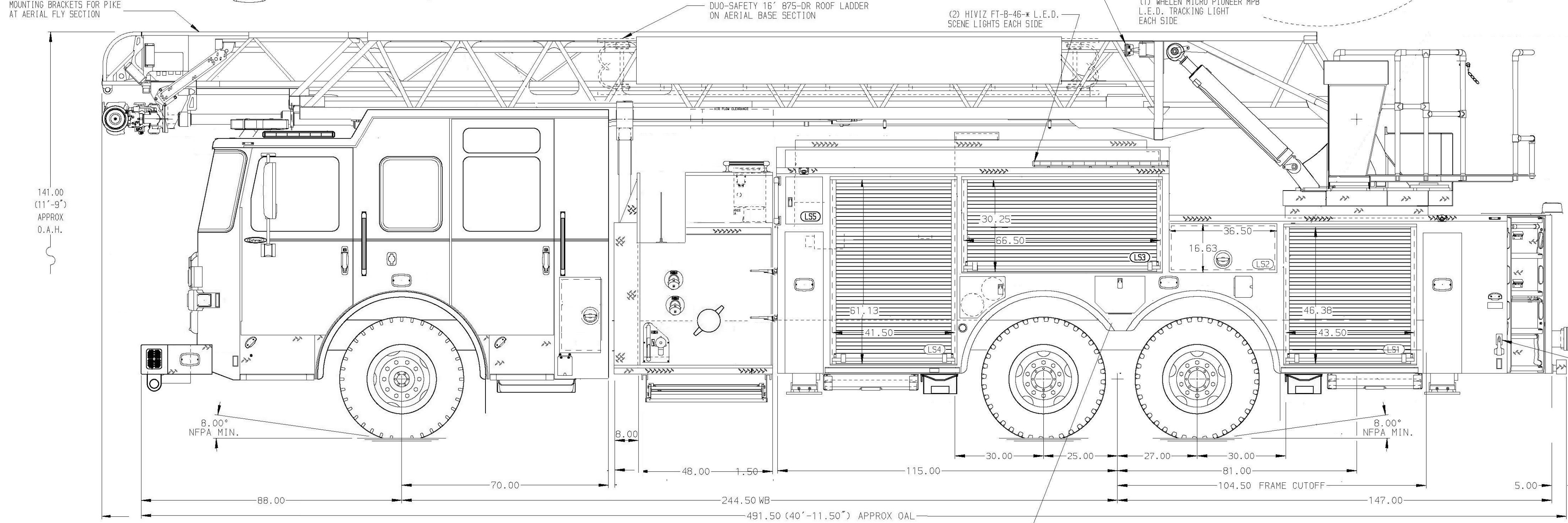


BODY	WATER TANK
Aerial, HD Ladder 105', Alum Body	500 Gallon PAL Notched Poly Water Tank
COMPT, LEFT SIDE FRONT	
FH/FD RollUp Forward w/o Chute	
COMPT, LEFT SIDE REAR	
FH/FD RollUp and Lift-up Rearward	
COMPT, RIGHT SIDE FRONT	
FH/FD RollUp Forward	
COMPT, RIGHT SIDE REAR	
Full Height RollUp and Lift-up Rearward	



ALUMINUM BODY

NOTE  
DIMENSIONS SHOWN ARE APPROXIMATE AND ARE SUBJECT TO MINOR DEVIATIONS AS MAY OCCUR OR BE NECESSARY IN CONSTRUCTION. MINOR DETAILS NOT SHOWN.

REV	DATE	BY	CH	ENFORCER
A	082523	EET		

		JOB NO.	
		SCALE	DATE
TITLE	107' ASCENDANT AERIAL LADDER AND BODY ASSEMBLY	DRAWN BY	EET
FOR	BLOOMINGDALE FIRE DEPARTMENT	CHECKED BY	
DWG NO.	PRELIMINARY DRAWING	SHEET SIZE	D
		SHEET NO.	1 OF 1