

**PUMPER  
BODY**

Medium Aluminum 2nd Gen Pumper

**CHASSIS**

Sober FR Chassis

**CHASSIS  
AXLE, FRONT, CUSTOM**

18,000 Lb 4x4 AxLe

**AXLE, REAR**

24,000 Lb Dana AxLe

**ENGINE**

450 HP Cummins X-10 Engine

**TRANSMISSION**

Allison 6th Gen, 3000 EVS P

**BUMPER**

19" Extended Painted Steel

**CAB**

6000 Sober FR Cab

**BODY  
WATER TANK**

750 Gallon Water Tank

**COMPT, PUMPER, REAR**

30.75" FF RollUp Rear Compt

**COMPT, PUMPER, LEFT SIDE**

136" Lap Full Height Front & Rear FDLER

**COMPT, PUMPER, RIGHT SIDE**

136" Lap Low FDLER

**FIRE SUPPRESSION  
PUMPHOUSE**

45" Control Zone Side Mount

**PUMP**

1500 GPM Waterous CXC20

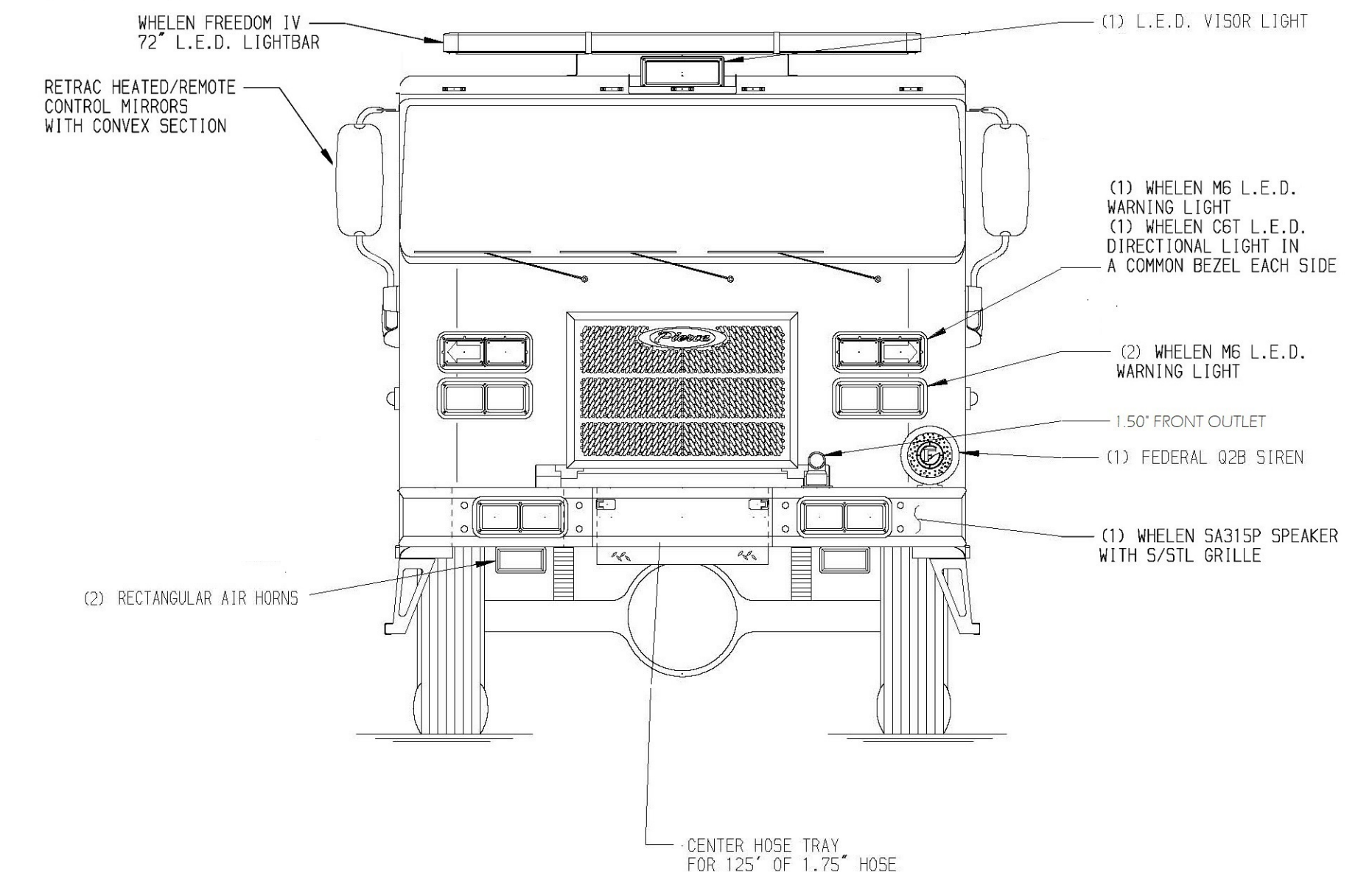
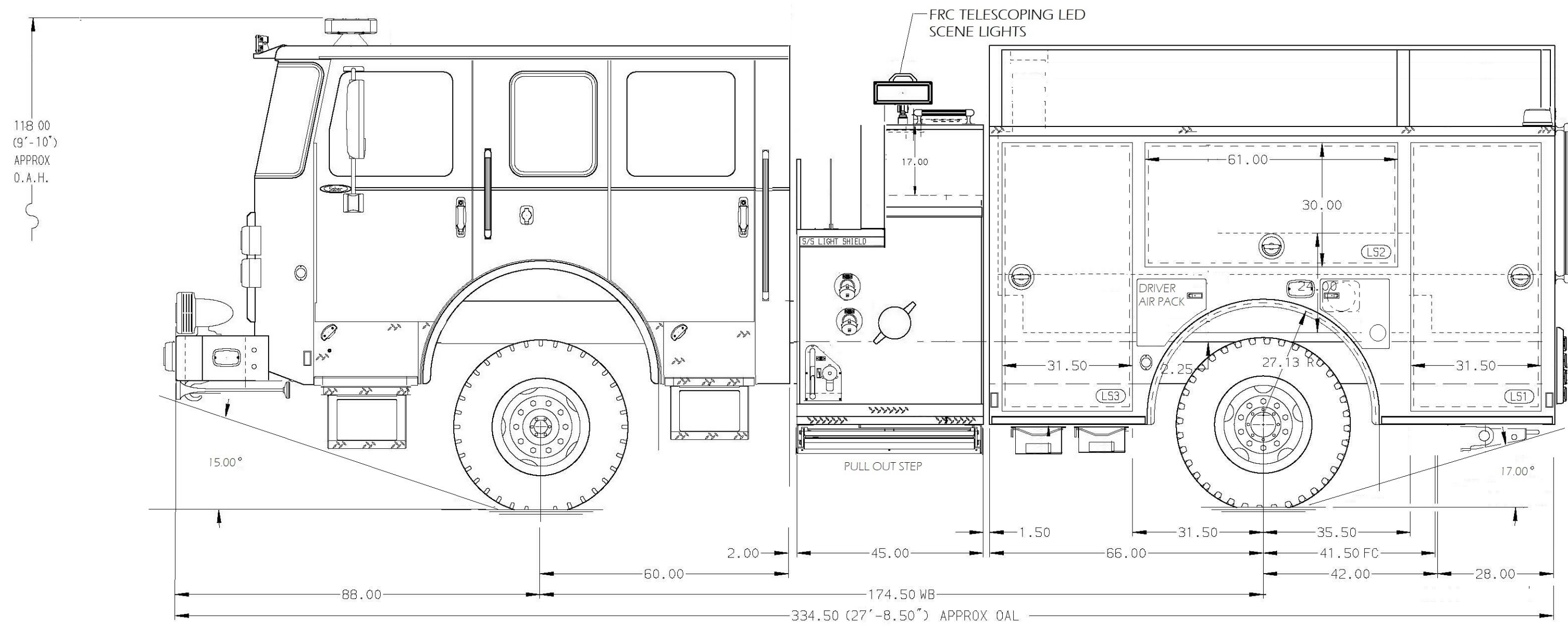
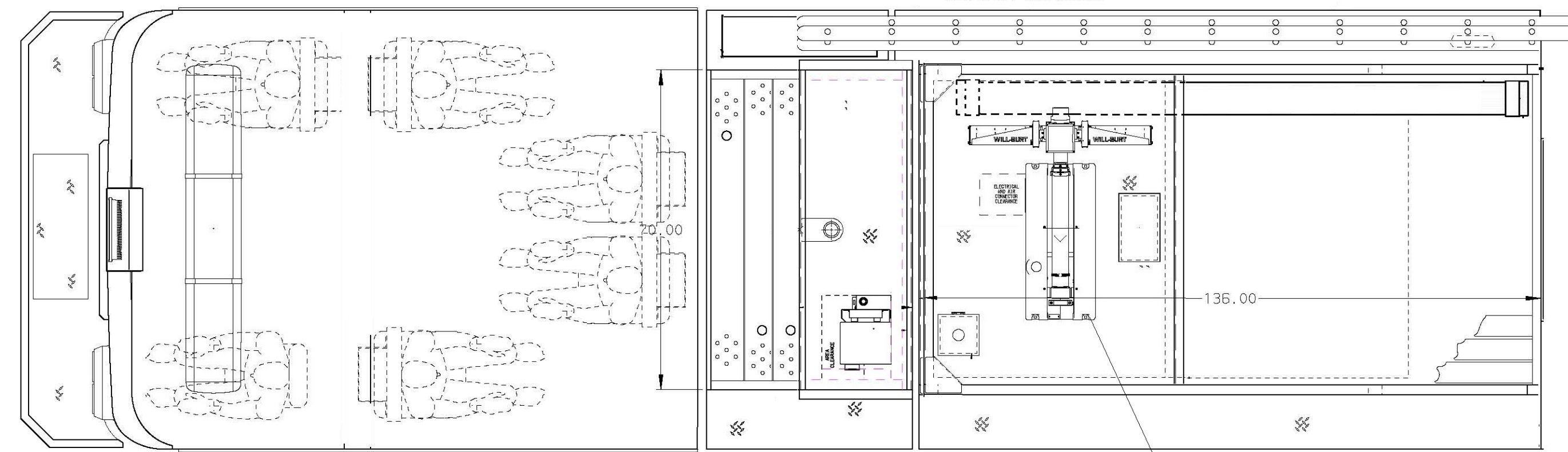
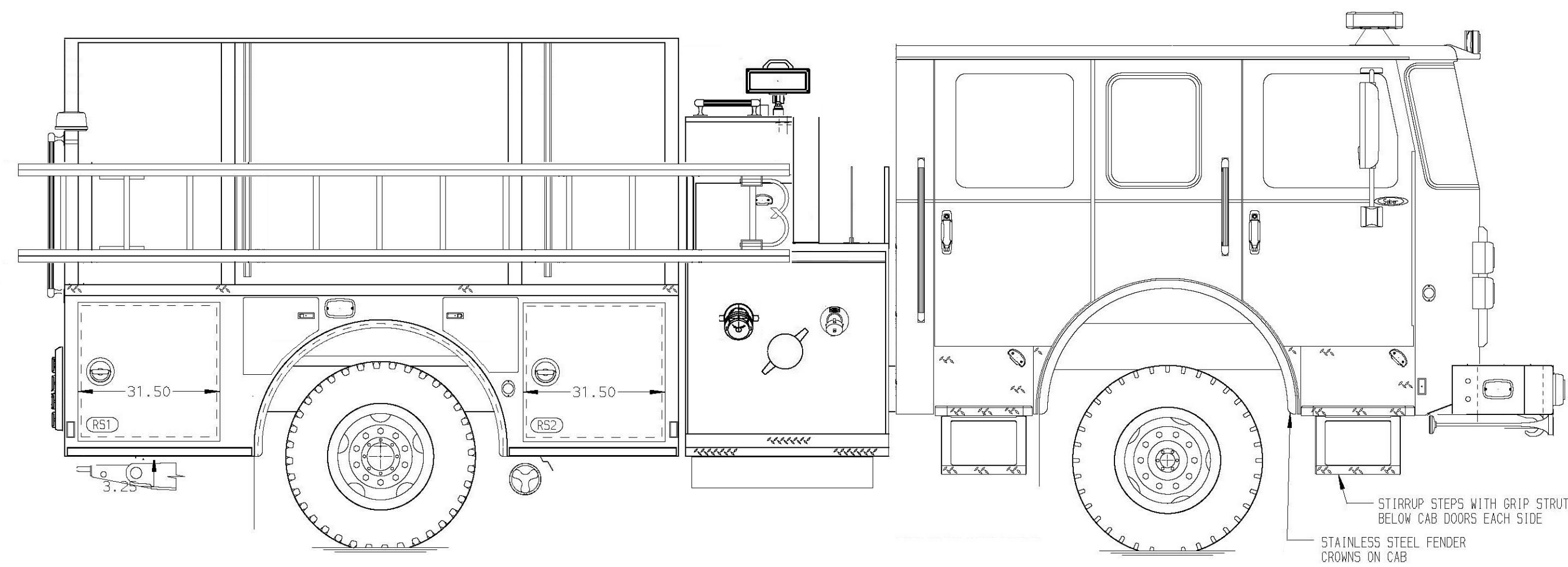
**CROSSLAYS, 1.50"**

(2) 1.50" Standard Capacity

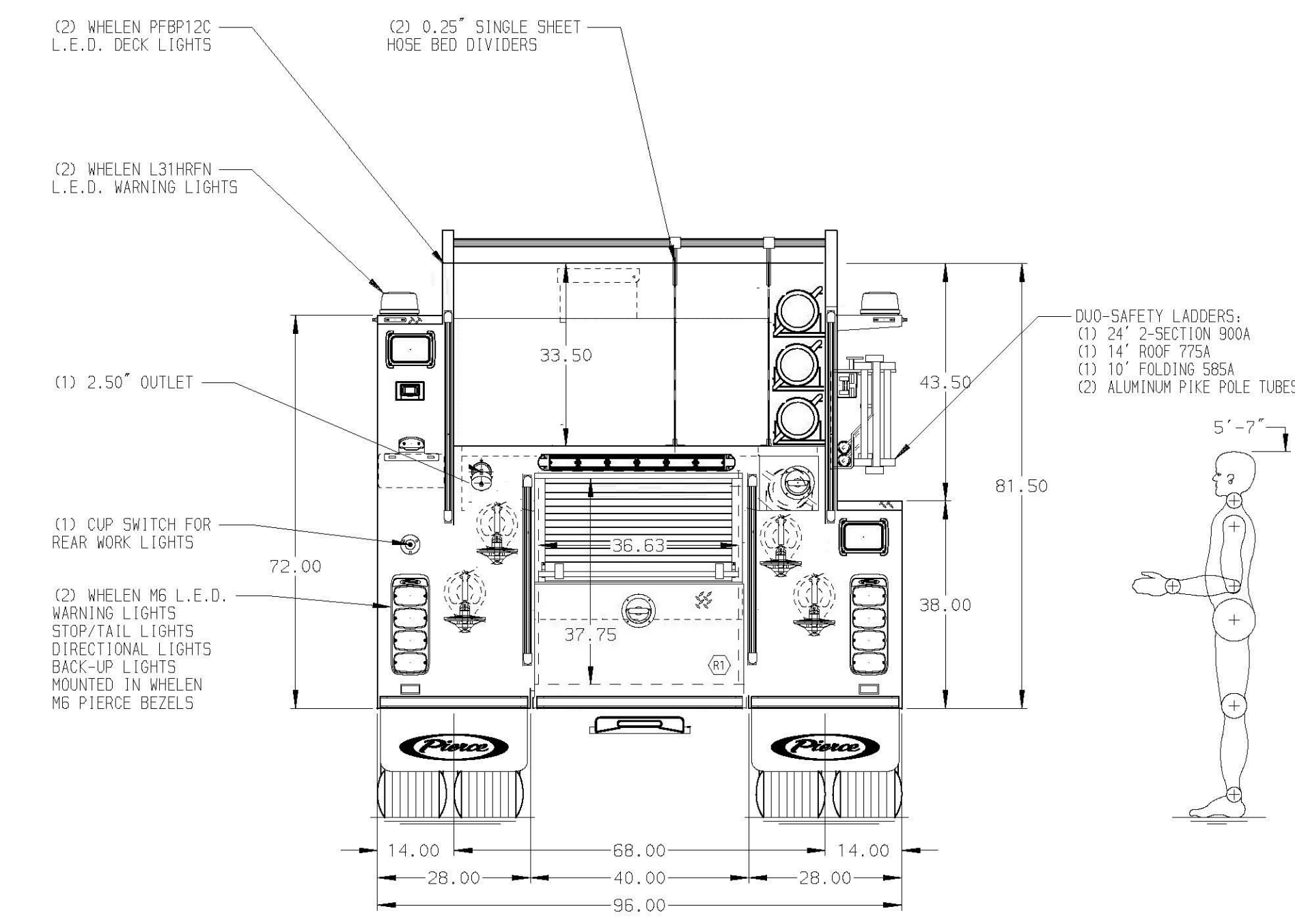
**CROSSLAYS, 2.50"**

2.50" CrossLay Standard Capacity

**NOTE**  
DIMENSIONS SHOWN ARE APPROXIMATE AND ARE SUBJECT TO MINOR DEVIATIONS AS MAY OCCUR OR BE NECESSARY IN CONSTRUCTION. MINOR DETAILS NOT SHOWN.



HOSEBED CAPACITY	
<b>BED 1</b>	1000' OF 5.00" D.J. POLY HOSE
<b>BED 2</b>	1000' OF 3.00" D.J. POLY HOSE



SABER 4X4 PUMPER FOR HGAC QUOTE. THIS PROPOSAL HAS A 2027 CUMMINS X10 DIESEL ENGINE

CUSTOMER APPROVAL					JOB NO.	—
APPROVED BY:					SCALE	1:24
DATE:				TITLE	SABER 4X4 1500 GPM PUMPER - 750 WATER TANK WITH LOW HOSE BED, HUSKY 3 FOAM SYSTEM, FOLDING REAR STEP/DOOR	
				MAKE	PIERCE	
				FOR	HOPATCONG FIRE COMPANY #2 - NORTHWOOD HOPATCONG, NEW JERSEY	
A 091123	EET	—		MODEL	Saber	
REV	DATE	BY	CH	DWG NO.	PRELIMINARY DRAWING	
					SHEET SIZE	D
					SHEET NO.	1 OF 1