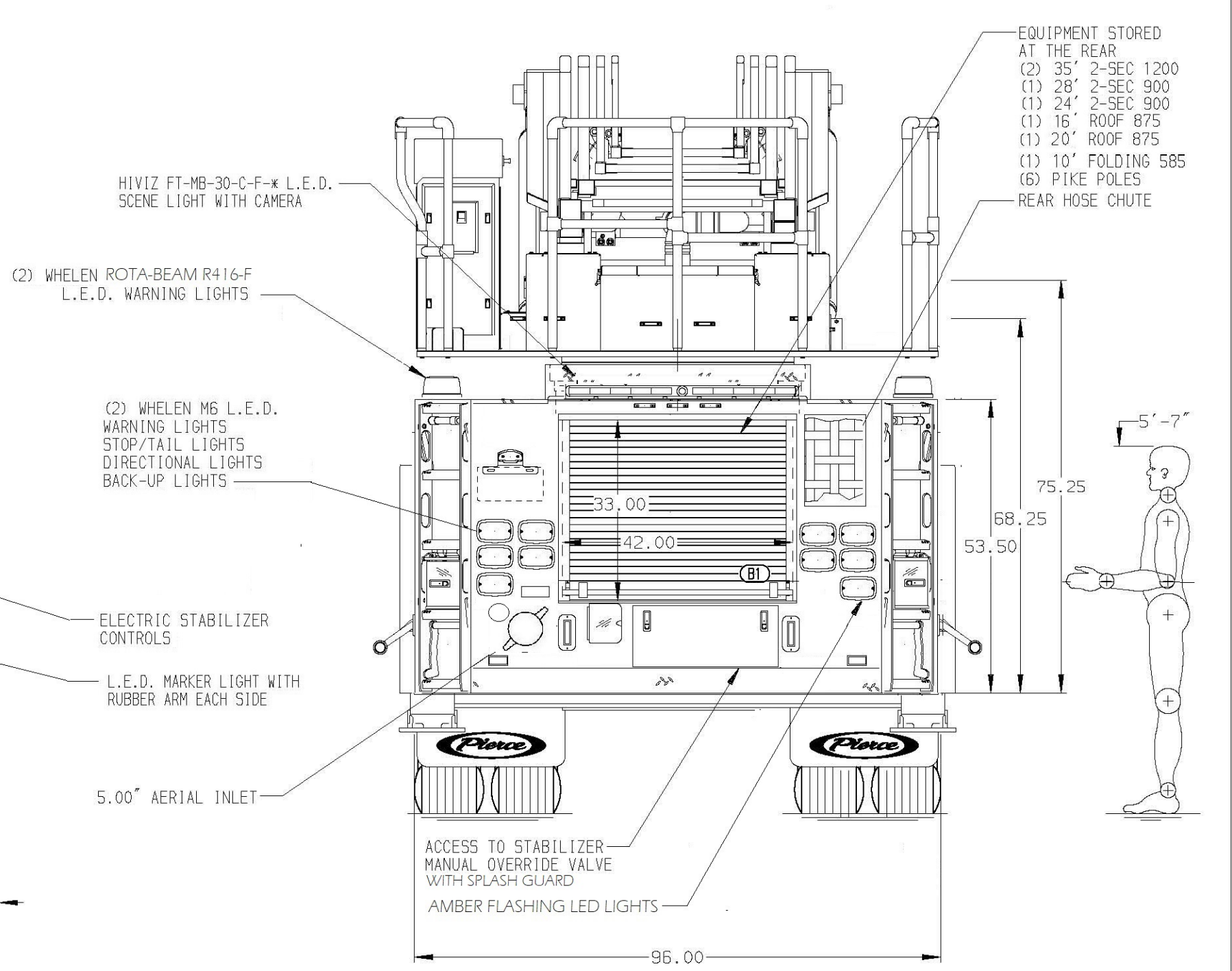
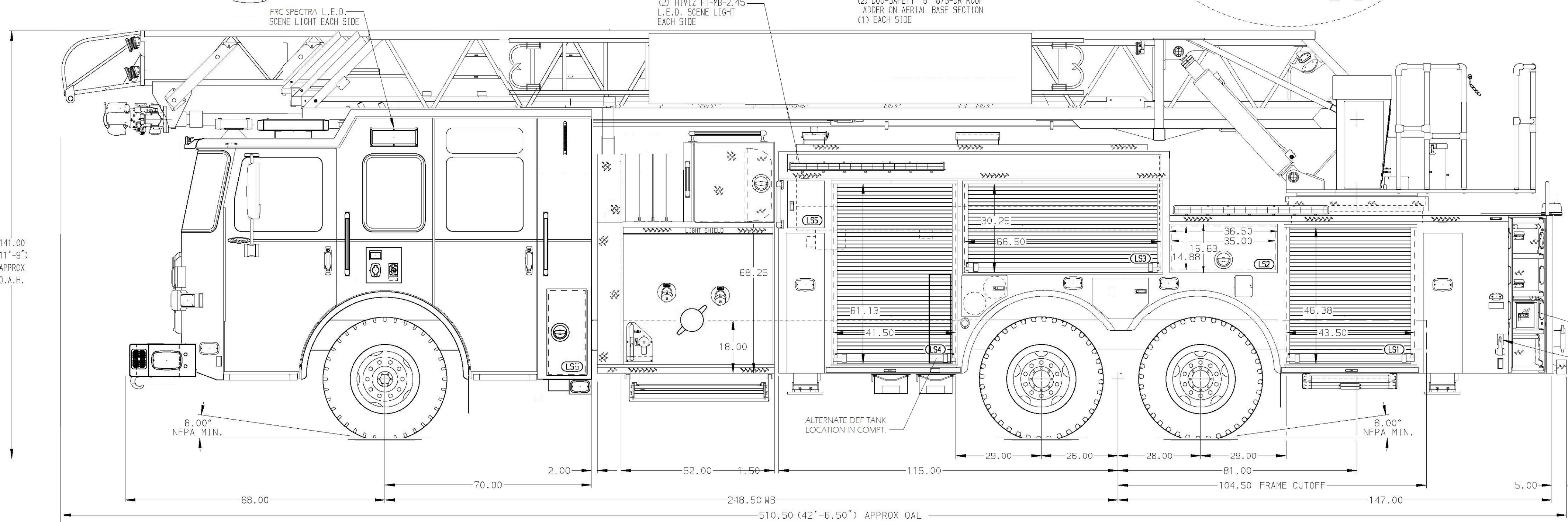


<b>BODY</b> Aerial, HD Ladder 105', Alum Body <b>COMPT, LEFT SIDE FRONT</b> FH/FD RollUp Forward w/o Chute <b>COMPT, LEFT SIDE REAR</b> FH/FD RollUp and Lift-up Rearward <b>COMPT, RIGHT SIDE FRONT</b> Full Height RollUp Forward <b>COMPT, RIGHT SIDE REAR</b> Full Height RollUp and Lift-up Rearward	<b>WATER TANK</b> 500 Gallon PAL Notched Poly Water Tank <b>Foam System</b> Husky 12 Single Agent Foam System <b>Foam Cell</b> 50 Gallon Foam Cell
--	---



<b>CHASSIS</b> Enforcer Chassis <b>ENGINE</b> 510 HP Paccar MX13 Engine	<b>CAB</b> 7010 Enforcer Cab <b>BUMPER</b> 19" Extended Steel	<b>AXLE, FRONT, CUSTOM</b> 20,000 Lb Dana Axle <b>AXLE, REAR</b> 54,000 Lb Meritor Axle	<b>TRANSMISSION</b> Allison 6th Gen, 4500 EVS P	<b>PUMPHOUSE</b> 52" Control Zone Side Mount <b>PUMP</b> 1500 GPM Hale QMAX	<b>CROSSLAYS, 1.50"</b> (3) 1.50" - 250" Capacity <b>CROSSLAYS, 2.50"</b> 2.50" Crosslay - 250" Capacity	<b>SAFETY</b> Side Roll and Frontal Impact Protection	<b>CUSTOMER APPROVAL</b> APPROVED BY: _____ DATE: _____		JOB NO. - SCALE 1:24 DATE
<b>NOTE</b> DIMENSIONS SHOWN ARE APPROXIMATE AND ARE SUBJECT TO MINOR DEVIATIONS AS MAY OCCUR OR BE NECESSARY IN CONSTRUCTION. MINOR DETAILS NOT SHOWN.									TITLE: PIERCE 105 HEAVY DUTY LADDER-500# DRY/500 WET - 1500 HALE PUMP, LADDER STORAGE BASE SECTION, HUSKY 12 FOAM SYSTEM FOR: FRANKLIN LAKES FIRE DEPARTMENT FRANKLIN LAKES, NEW JERSEY DWG NO. <b>PRELIMINARY DRAWING</b>