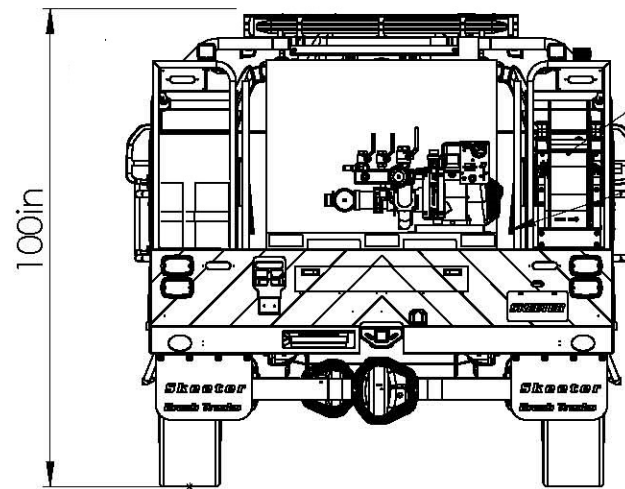


EVESHAM FIRE & RESCUE'S NWC6 TYPE 5 STEP-SIDE WILDLAND ENGINE SKEETER EMERGENCY VEHICLES

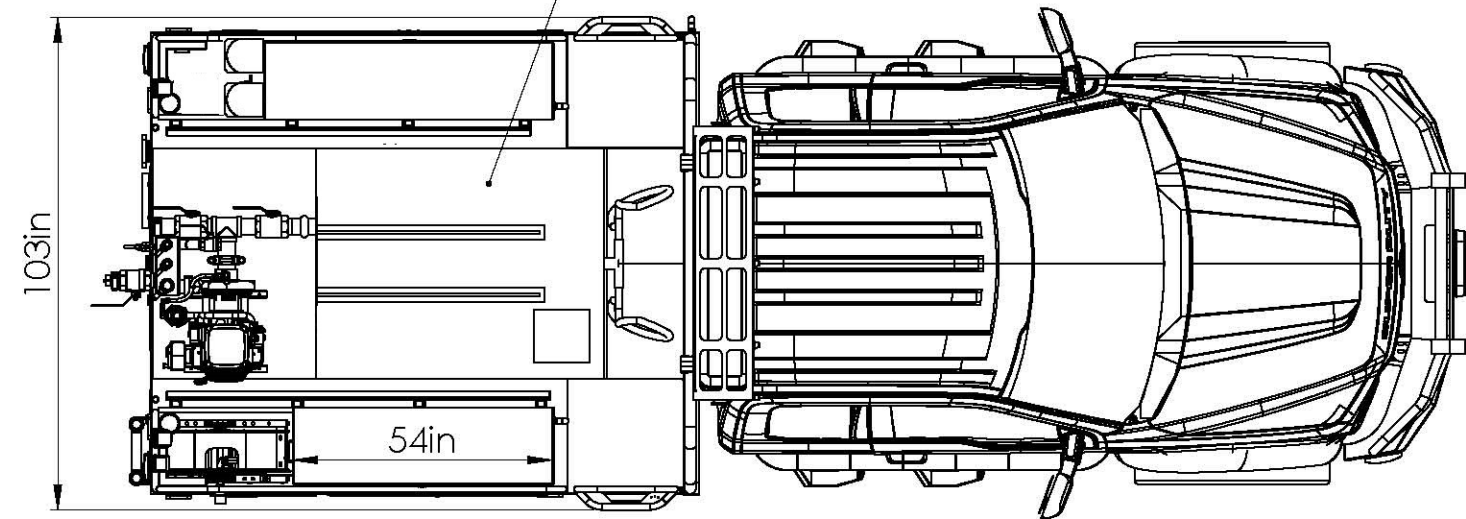


100in

Hannay Hose Reel
125' Capacity

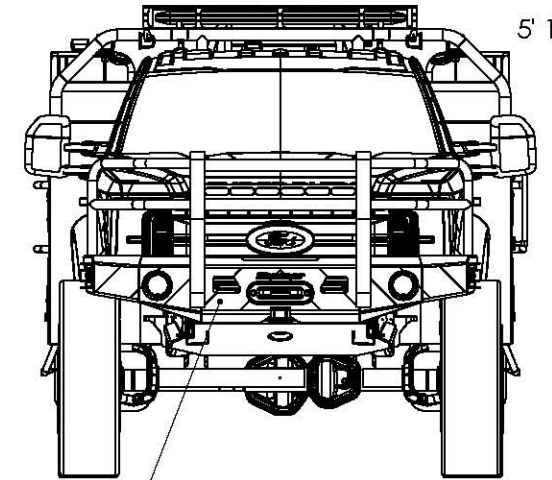
High Water Rescue Seating
(Stowed Position)

Darley Custom Skid Unit
400 Gallons Water



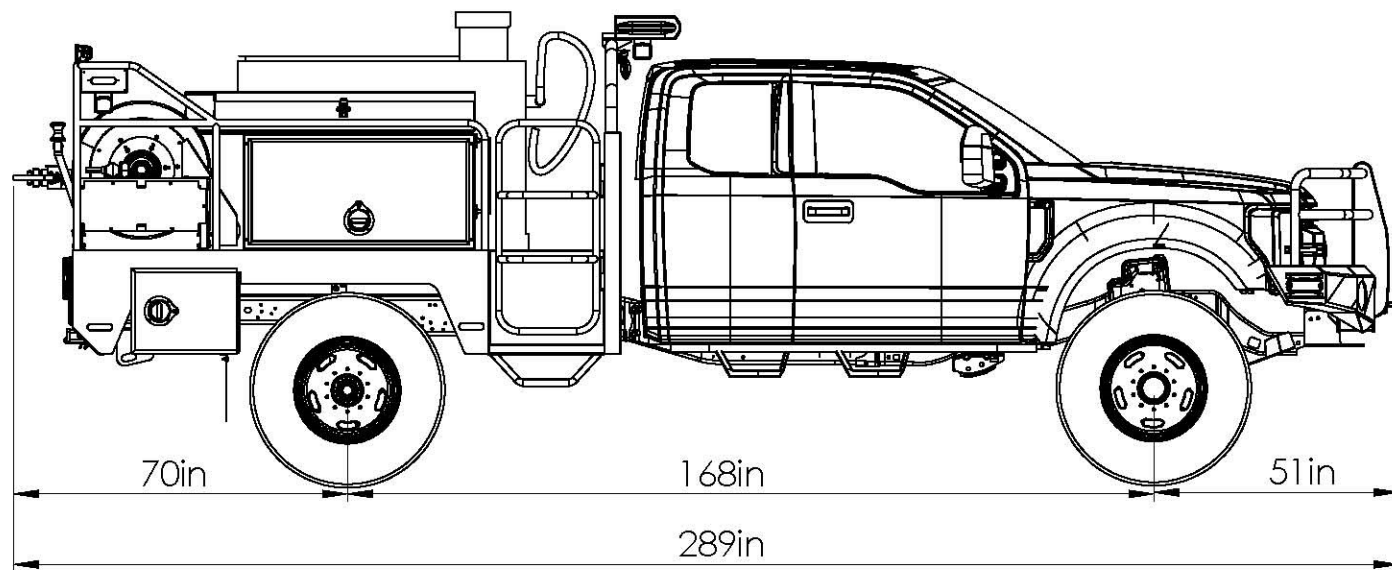
103in

54in



5' 11"

Custom Skeeter Bumper
w/ Winch and Off-Road Lights

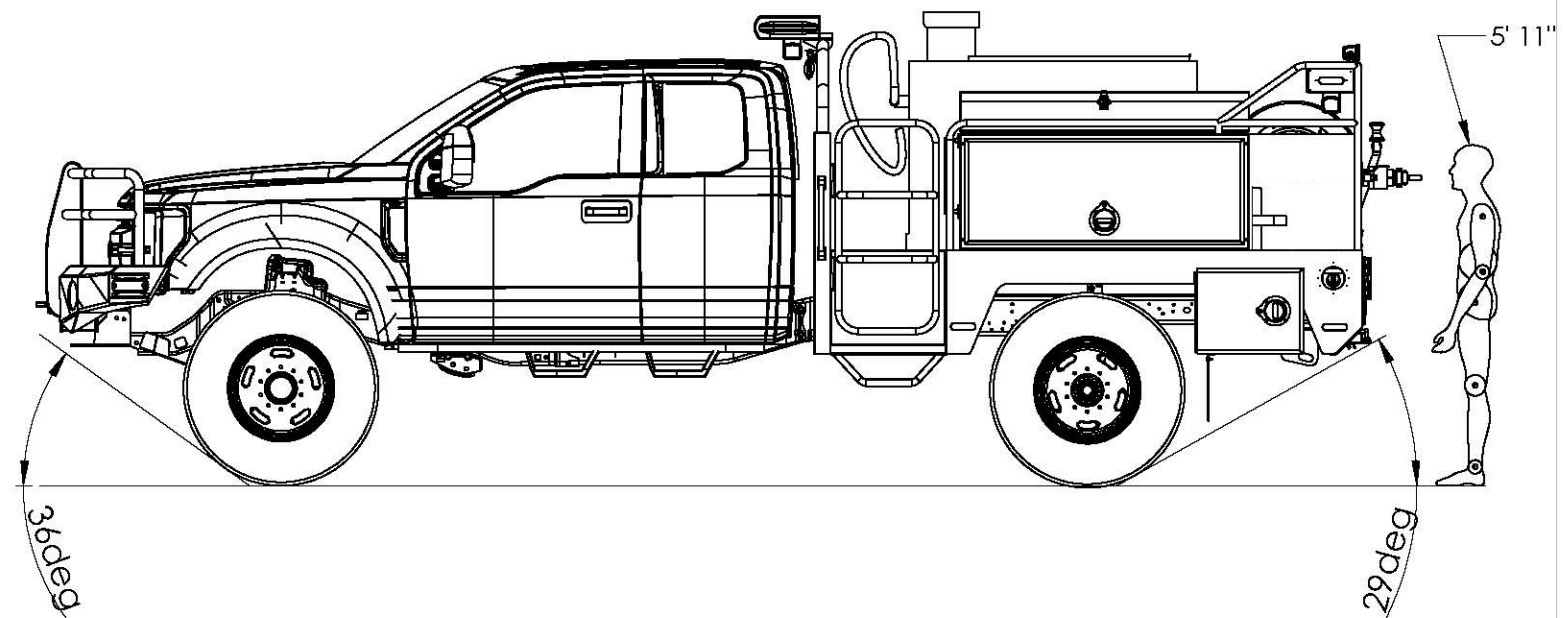


70in

168in

51in

289in



5' 11"

36deg

29deg

PROPERTY OF
SKEETER EMERGENCY VEHICLES

NOTE: DETAILS AND DIMENSIONS SHOWN ARE APPROXIMATE
AND ARE SUBJECT TO MINOR DEVIATIONS AS MAY
OCCUR OR BE NECESSARY IN CONSTRUCTION.
MINOR DETAILS NOT SHOWN

PREPARED FOR:
EVESHAM FIRE & RESCUE

DRAWN BY: ALONDRA P. TITLE:
SPEC DATE: 9/1/2023 REV. A 102623 EET

PRELIMINARY OVERVIEW

NOT FOR PRODUCTION. SOME FEATURES AND DIMENSIONS SUBJECT TO CHANGE

SPEC # 7941

SHEET 1 OF 1