

PUMPER BODY

Aluminum 2nd Gen Pumper

CHASSIS

Saber FR Chassis

CHASSIS AXLE, FRONT, CUSTOM

18,000 Lb Dana Axle

AXLE, REAR

24,000 Lb Dana Axle

ENGINE

450 HP Cummins L9 Engine

TRANSMISSION

Allison 5th Gen, 3000 EVS P

BUMPER

Stainless Steel

CAB

6010 Saber FR Cab

BODY WATER TANK

750 Gal/Lon Poly Water Tank

COMPT, PUMPER, REAR

37.75" FF RollUp Rear Compt

COMPT, PUMPER, LEFT SIDE

124" RollUp Full Height Front & Rear FDLER

COMPT, PUMPER, RIGHT SIDE

124" RollUp Full Height Front & Rear FDLER

FIRE SUPPRESSION PUMPHOUSE

45" Control Zone Side Mount

PUMP

1500 GPM Watertous 2 Stage

CROSSLAYS, 1.50"

(2) 1.50" Standard Capacity

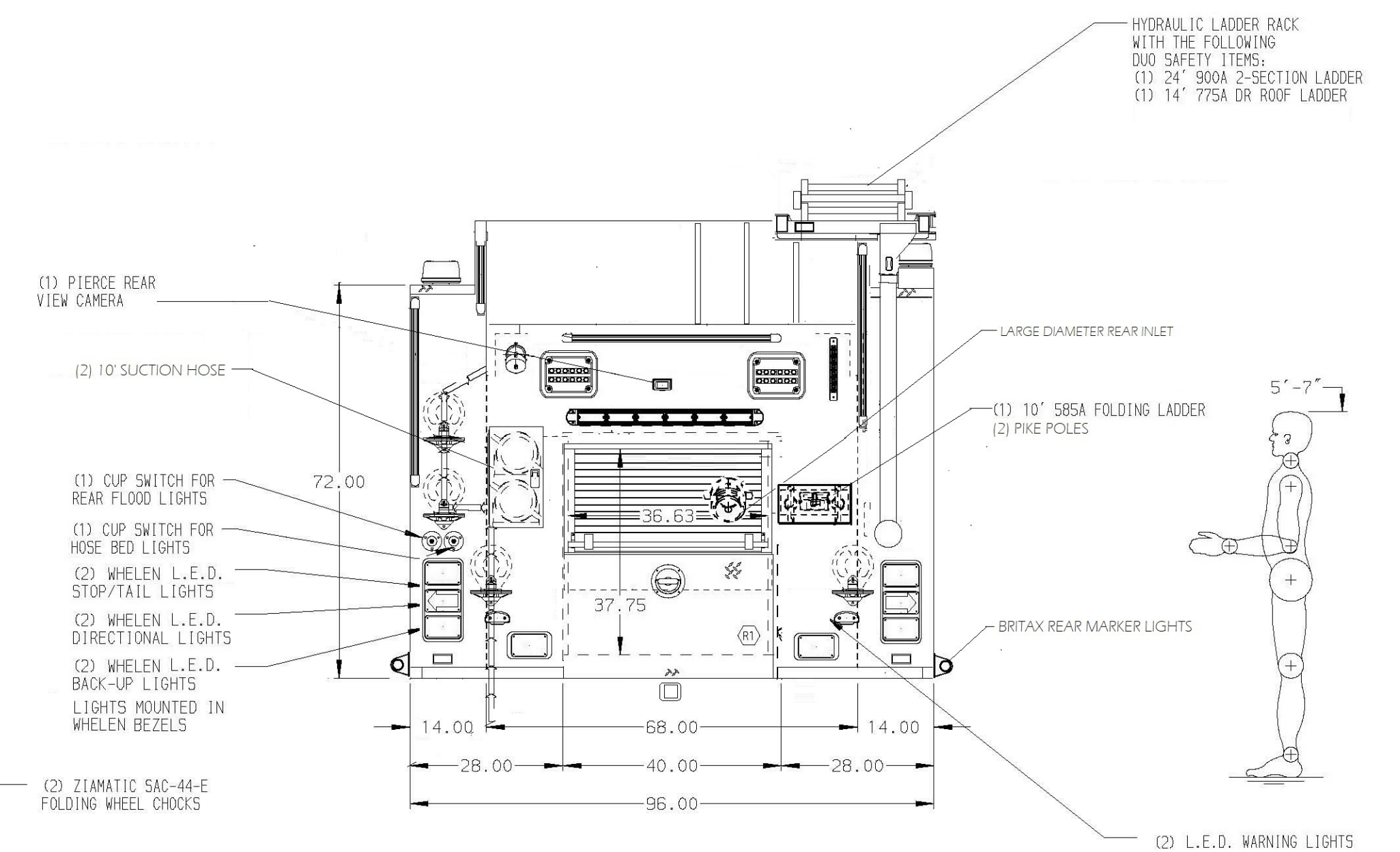
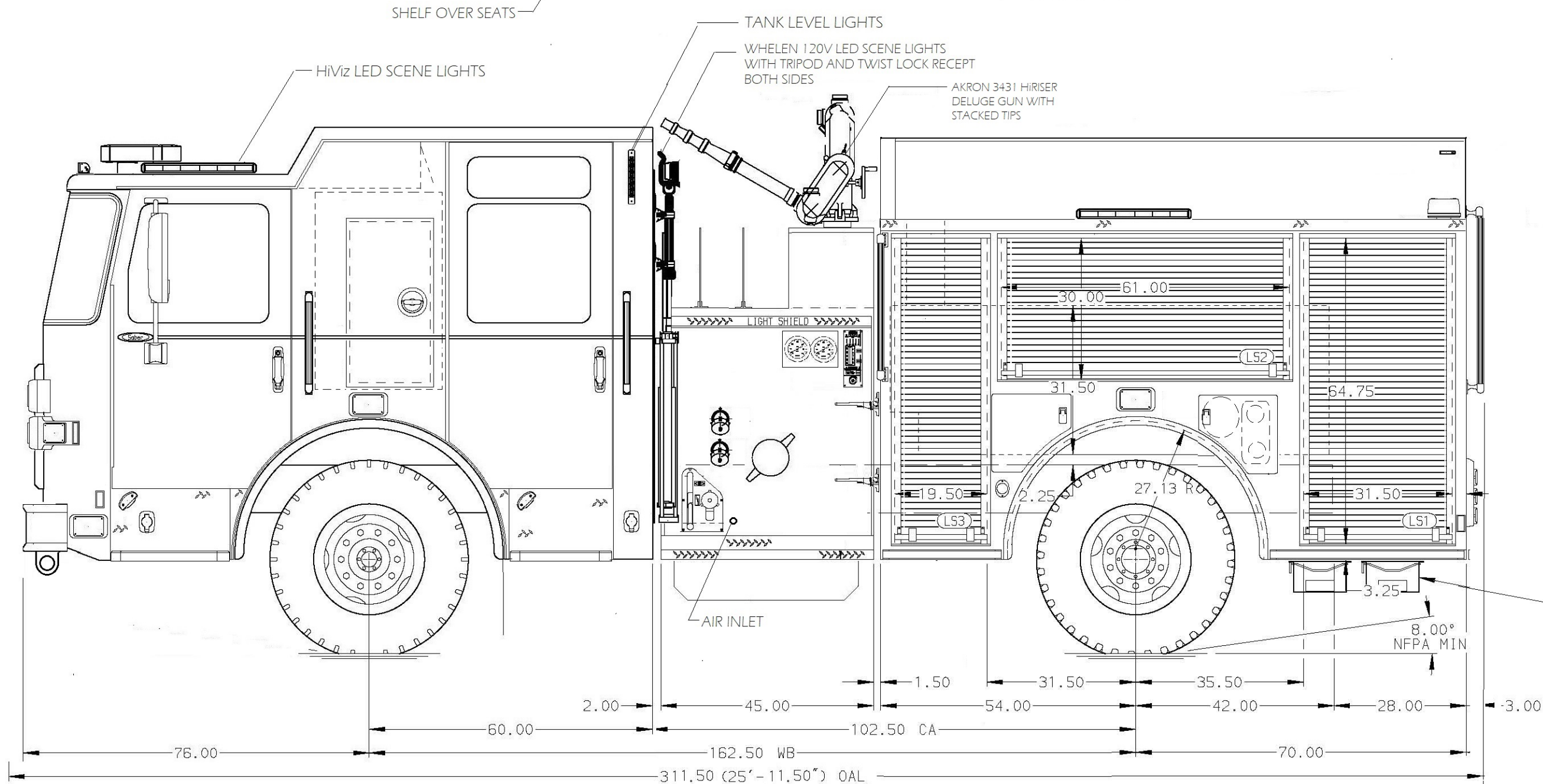
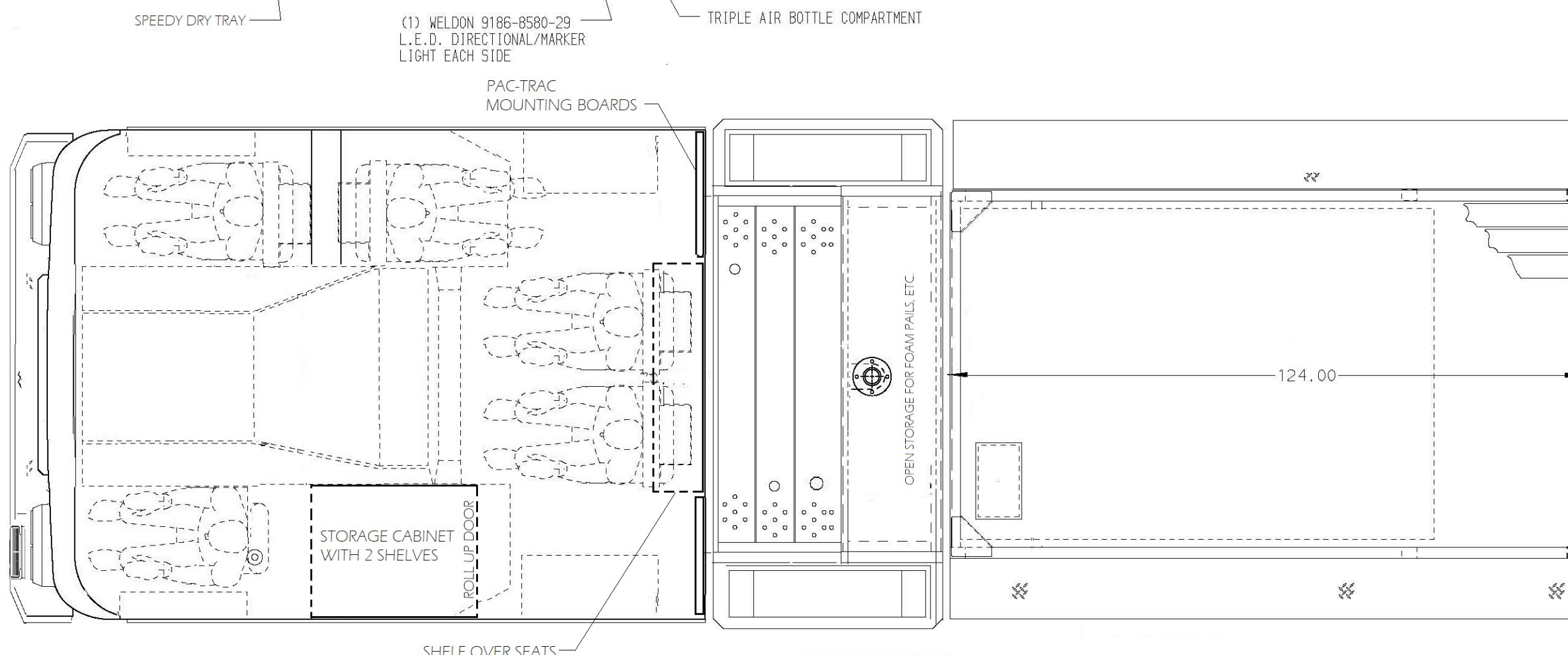
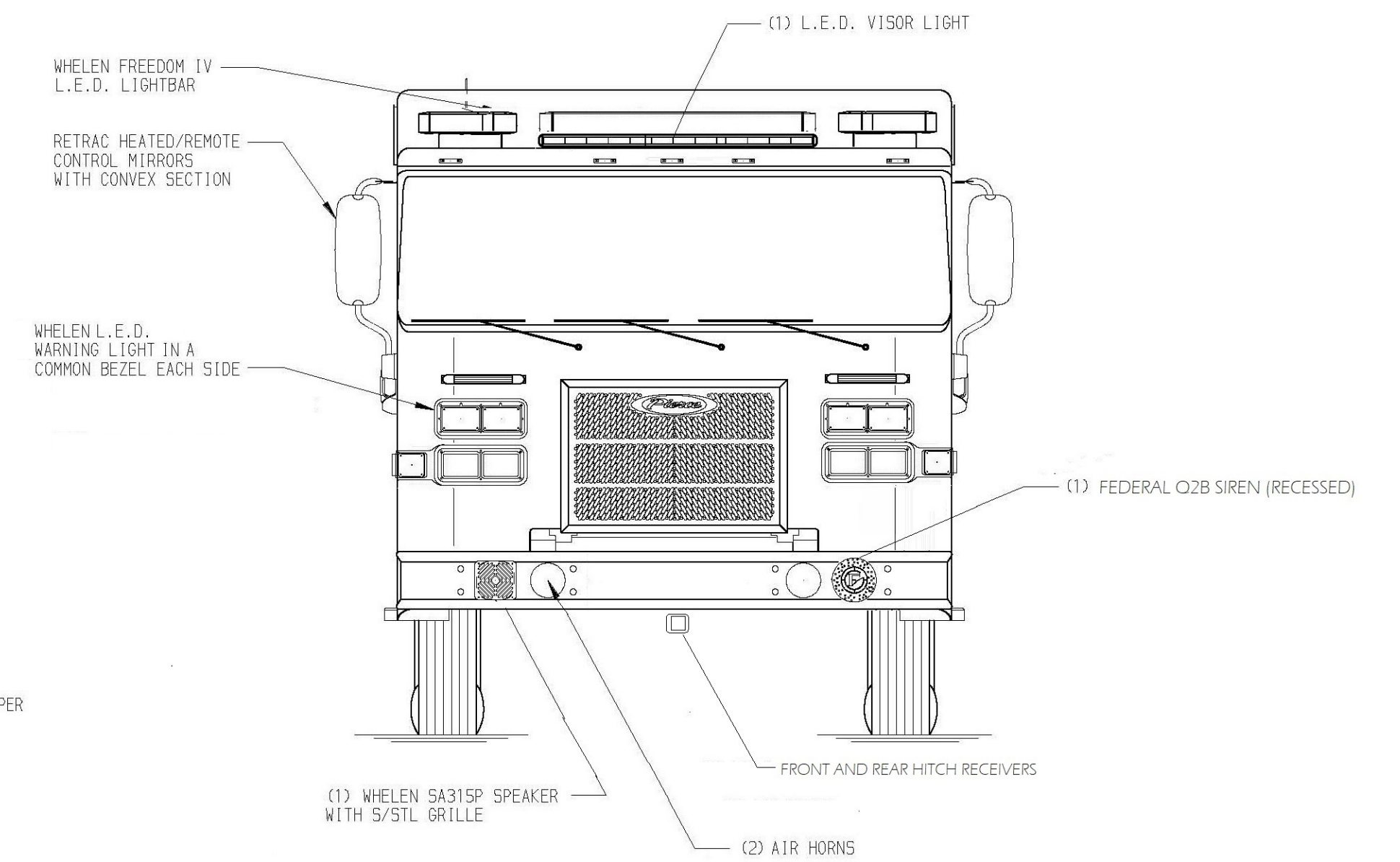
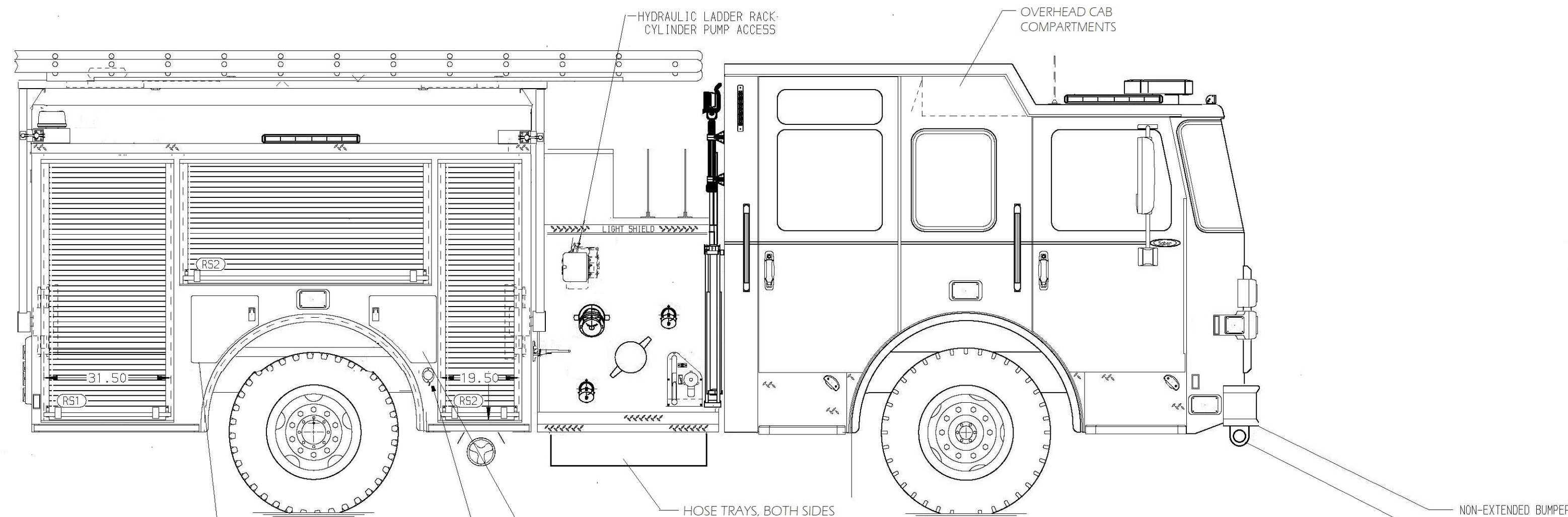
CROSSLAYS, 2.50"

(1) 2.50" Standard Capacity

ALUMINUM BODY

NOTE
DIMENSIONS SHOWN ARE APPROXIMATE AND ARE SUBJECT TO MINOR DEVIATIONS AS MAY OCCUR OR BE NECESSARY IN CONSTRUCTION. MINOR DETAILS NOT SHOWN.

116.00 (9'-8") APPROX O.A.H.



| | |
|------------|------------|
| JOB NO. | |
| SCALE | DATE |
| 1:24 | 21JAN21 |
| DRAWN BY | CHECKED BY |
| EET | |
| SHEET SIZE | SHEET NO. |
| D | 1 OF 1 |

| | | | | |
|-----|--------|-----|----|--------------|
| D | 032523 | EET | | CHASSIS DATA |
| C | 031123 | EET | | MAKE |
| B | 022123 | EET | | PIERCE |
| A | 102621 | EET | | MODEL |
| REV | DATE | BY | CH | SABER |

TITLE 1500-D-750P, 124" BODY FULL HEIGHT FRONT & REAR XLAYS, (2) H.S.H., LADDERS ON RACK
FOR MINE HILL FIRE DEPARTMENT
MINE HILL, NEW JERSEY
DWG NO. PRELIMINARY DRAWING