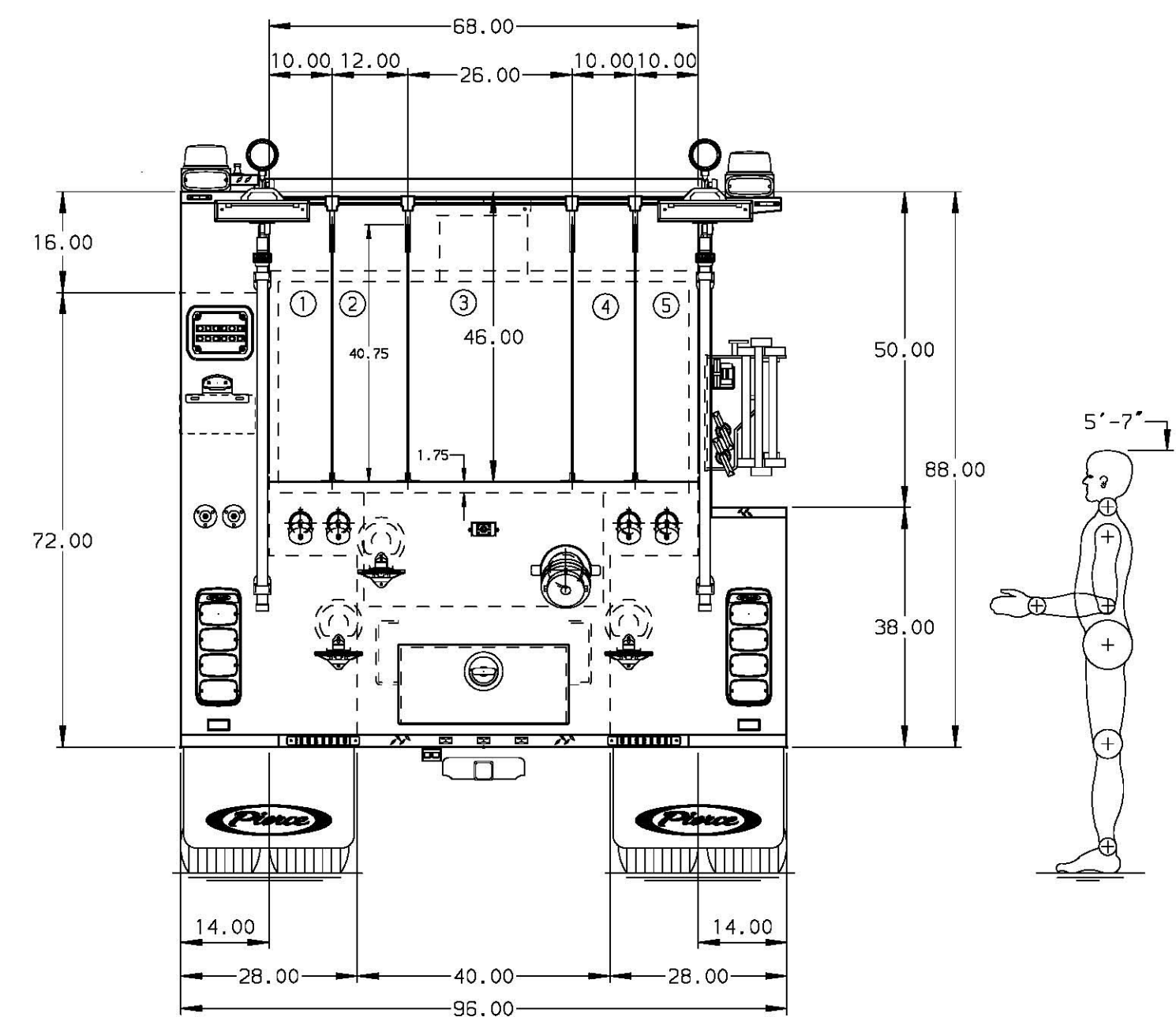
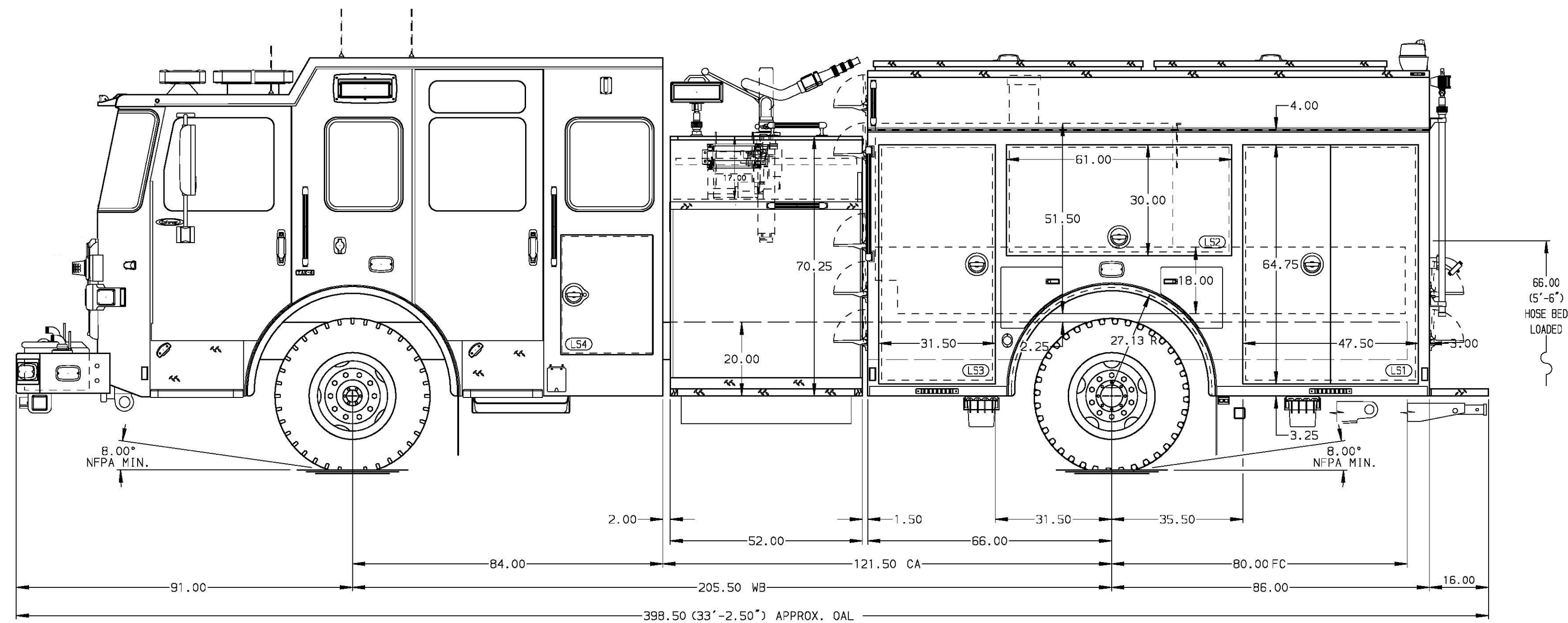


- HOSEBED CAPACITIES**
- ① 300' OF 2.50" D.J. POLY HOSE WITH 300' OF 1.75" D.J. POLY HOSE ON TOP
  - ② 500' OF 3.00" D.J. POLY HOSE
  - ③ 1000' OF 5.00" RUBBER HOSE
  - ④ 400' OF 2.50" D.J. POLY HOSE
  - ⑤ 300' OF 2.50" D.J. POLY HOSE WITH 300' OF 1.75" D.J. POLY HOSE ON TOP



ALUMINUM BODY

**NOTE**  
DIMENSIONS SHOWN ARE APPROXIMATE AND ARE SUBJECT TO MINOR DEVIATIONS AS MAY OCCUR OR BE NECESSARY IN CONSTRUCTION. MINOR DETAILS NOT SHOWN.

CUSTOMER APPROVAL				Pierce MANUFACTURING INC.		JOB NO.	PRELIM	
APPROVED BY: _____						SCALE	DATE	
DATE: _____						1:24		
CHASSIS DATA				TITLE	2000-D-1000P, 152" PUMPER BODY, DELUGE, GENERATOR		DRAWN BY	16MAY23
MAKE				FOR	BOROUGH OF HASBROUCK HEIGHTS		CHECKED BY	16MAY23
PIERCE					FIRE & SAFETY SERVICES, LTD		NPA	
MODEL				DWG	70694		SHEET SIZE	SHEET NO.
A	061323	EET		NO.			D	1 OF 1
REV	DATE	BY	CH	ENFORCER				