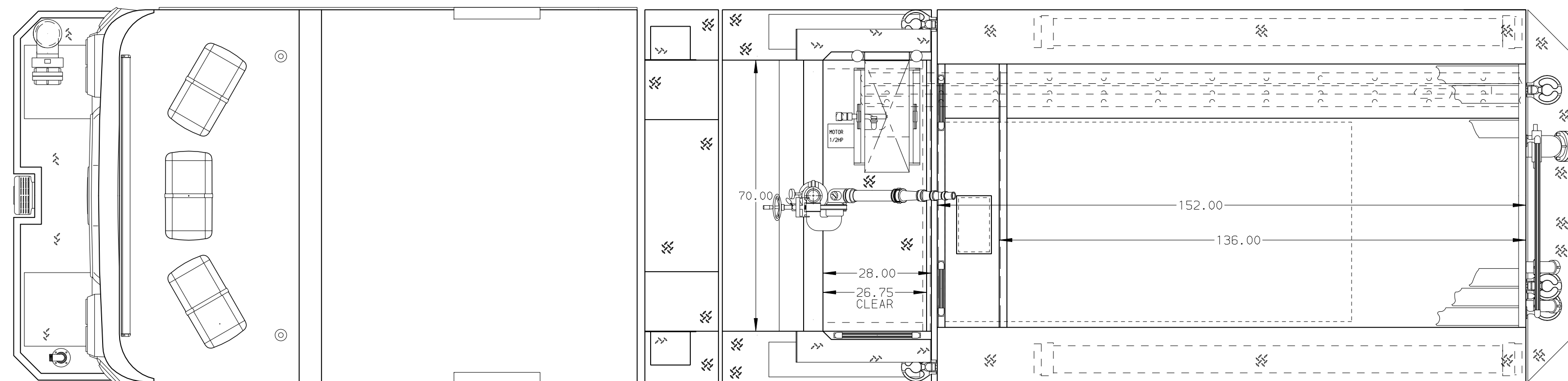
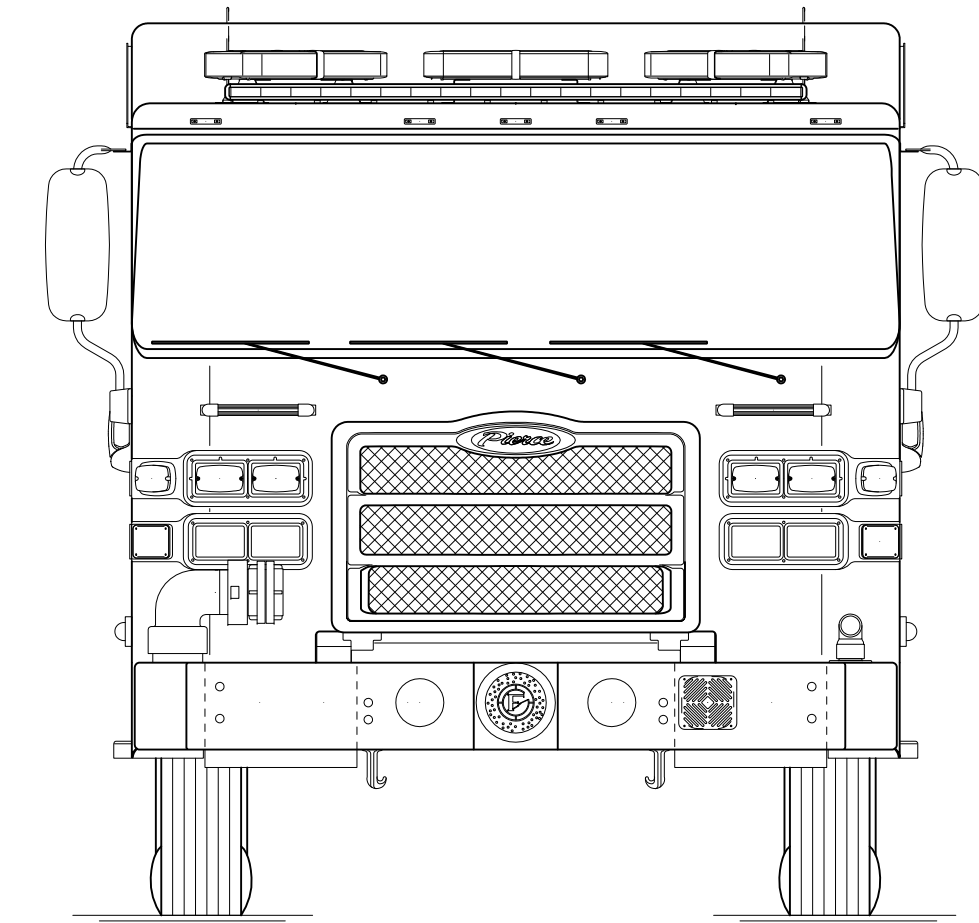
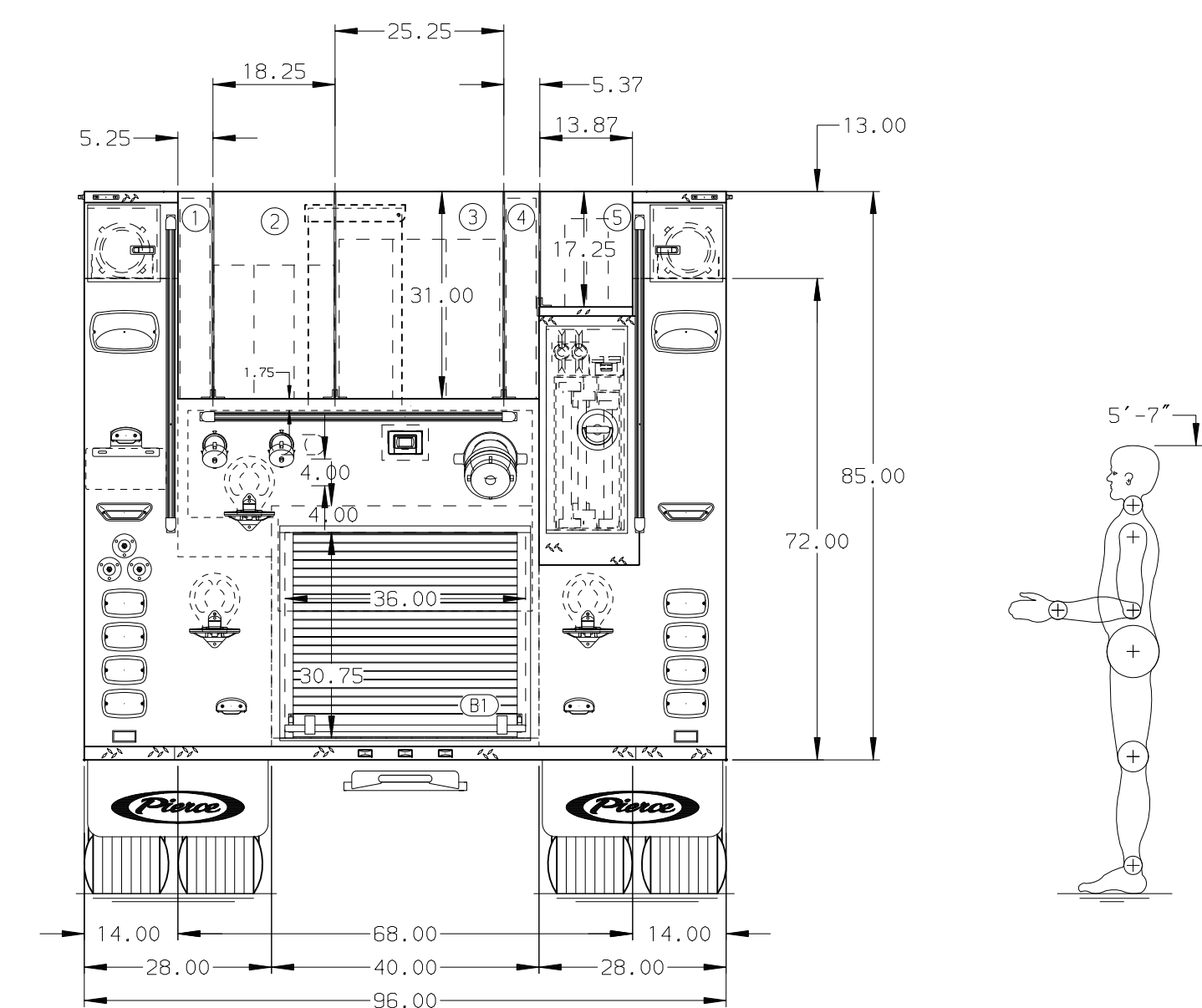
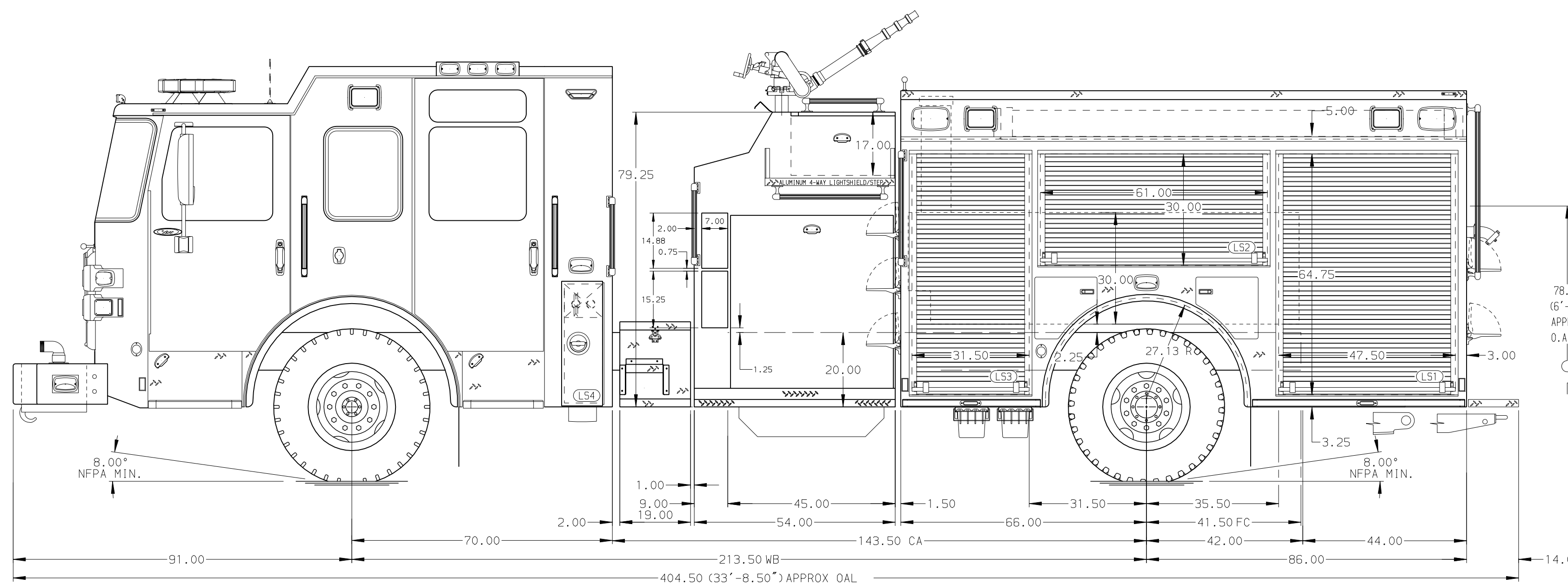


119.00  
(9'-11")  
APPROX  
O.A.H.



- HOSEBED CAPACITIES
- ① 400' OF 2.50" D.J. POLY HOSE
  - ② 600' OF 3.50" D.J. POLY HOSE
  - ③ 1000' OF 5.00" D.J. POLY HOSE
  - ④ 400' OF 2.50" D.J. POLY HOSE
  - ⑤ 400' OF 1.75" D.J. POLY HOSE



ALUMINUM BODY      MAXIMUM O.A.L. 405.00"      MAXIMUM O.A.H. 119.00"      SIDE ROLL PROTECTION

**NOTE**  
DIMENSIONS SHOWN ARE APPROXIMATE AND ARE SUBJECT TO MINOR DEVIATIONS AS MAY OCCUR OR BE NECESSARY IN CONSTRUCTION. MINOR DETAILS NOT SHOWN.

CUSTOMER APPROVAL				
APPROVED BY: _____				
DATE: _____				
REV	DATE	BY	CH	SABER FR

<b>MANUFACTURING INC.</b>		JOB NO.	PRELIM
TITLE		SCALE	DATE
FOR		DRAWN BY	29JUN22
MODEL		CHECKED BY	29JUN22
DWG NO.		SHEET SIZE	SHEET NO.
05-0608		D	1 OF 1

1500-D-500P, 500 WATER, 152" FH FDLER LS & RS, LADDERS BTWN TANK & S.S., BOOSTER REEL, MONITOR  
TOWNSHIP OF LITTLE FALLS  
FIRE & SAFETY SERVICES, LTD  
GREGG CARIDDI