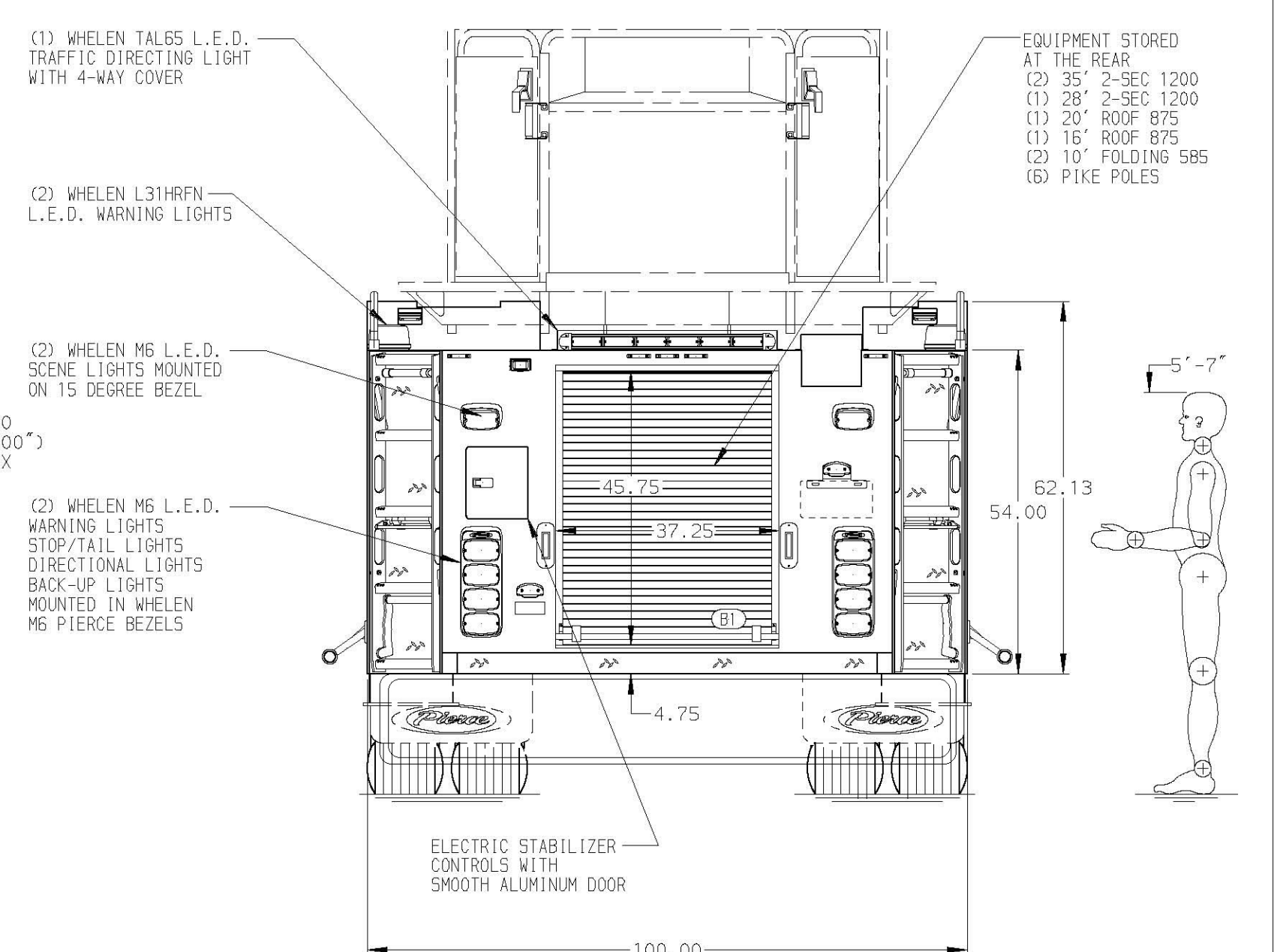
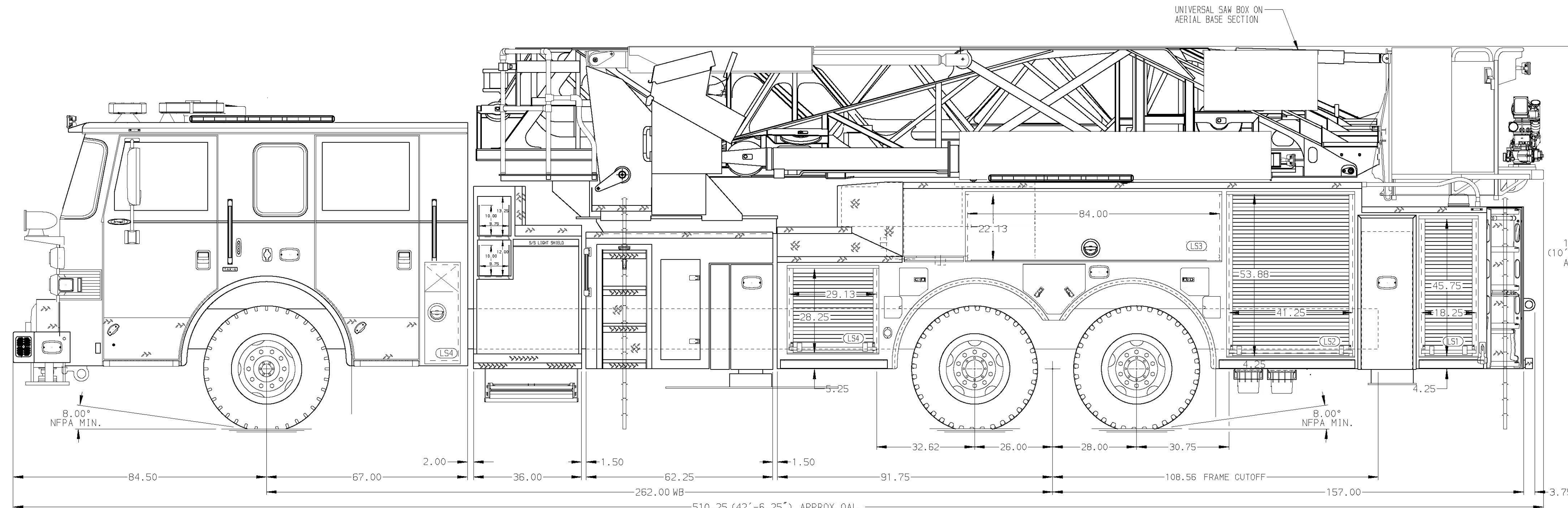


| | |
|---|---|
| BODY 100' Ascendant Aerial Tower Alum Body COMPT, LEFT SIDE Full Height RollUp Doors COMPT, RIGHT SIDE Full Height RollUp Doors | WATER TANK 300 Gallon Poly Water Tank Foam System Foam System Not Required Foam Cell Foam Cell Not Required |
|---|---|



| | | | | | | | | | |
|--|--|--|--|--|--|--|---|---|--|
| CHASSIS Arrow XT Chassis ENGINE 605 HP Cummins X15 Engine | CAB 6700 Arrow XT Cab BUMPER 15" Painted Aluminum | AXLE, FRONT, CUSTOM 24,000 Lb TAK-4 Axle AXLE, REAR | TRANSMISSION Allison 6th Gen, 4000 EV5 P | PUMPHOUSE 36" Control Zone Side Mount PUMP 2000 GPM Waterous 5100 | CROSSLAYS, 1.50" (2) 1.50", With Trays, 200' | GENERATOR 10 KW Harrison Hydraulic | CUSTOMER APPROVAL APPROVED BY: _____ DATE: _____ | PIERCE MANUFACTURING INC. | JOB NO. - SCALE 1:24 DATE 12SEPT22 |
| NOTE DIMENSIONS SHOWN ARE APPROXIMATE AND ARE SUBJECT TO MINOR DEVIATIONS AS MAY OCCUR OR BE NECESSARY IN CONSTRUCTION. MINOR DETAILS NOT SHOWN. | | 1. SHORELINE RECEPTACLE WITH KUSSMAUL SUPER AUTO-EJECT LOCATED ON DRIVER SIDE OF THE CAB 2. AIR INLET WITH DISCONNECT COUPLING IN THE DRIVER SIDE STEPWELL 3. BATTERY CHARGER LOCATED PER ORDER 4. BATTERY CHARGE INDICATOR LOCATED NEAR DRIVER SEAT RISER WITH BRACKET 5. ADJUSTABLE SHELVES LOCATED PER ORDER 6. NON-RAISED AERIAL PEDESTAL 7. 3-IN-1 LIFE/COMBO BRACKETS AT AERIAL BASKET | | | | | | TITLE PIERCE ASCENDANT 100' MID MOUNT AERIAL TOWER LADDER, TAK-4 FRONT SUSPENSION, TAK-3 REAR STEER SUSPENSION, HARRISON GENERATOR FOR PARSIPPANY TROY HILLS FIRE DISTRICT #4 LAKE HIAWATHA, NEW JERSEY DWG NO. PRELIMINARY DRAWING | DRAWN BY EET CHECKED BY - SHEET SIZE D SHEET NO. 1 OF 1 |