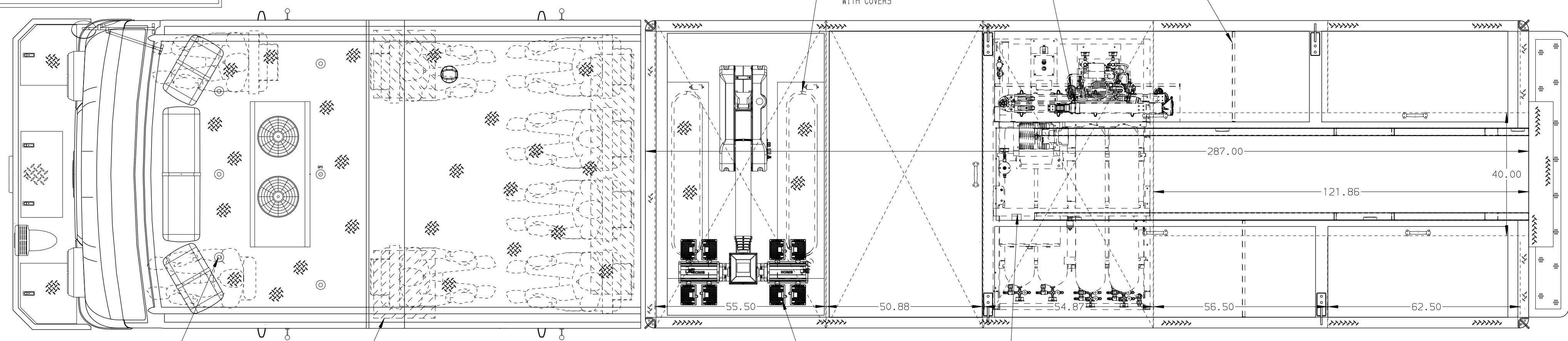
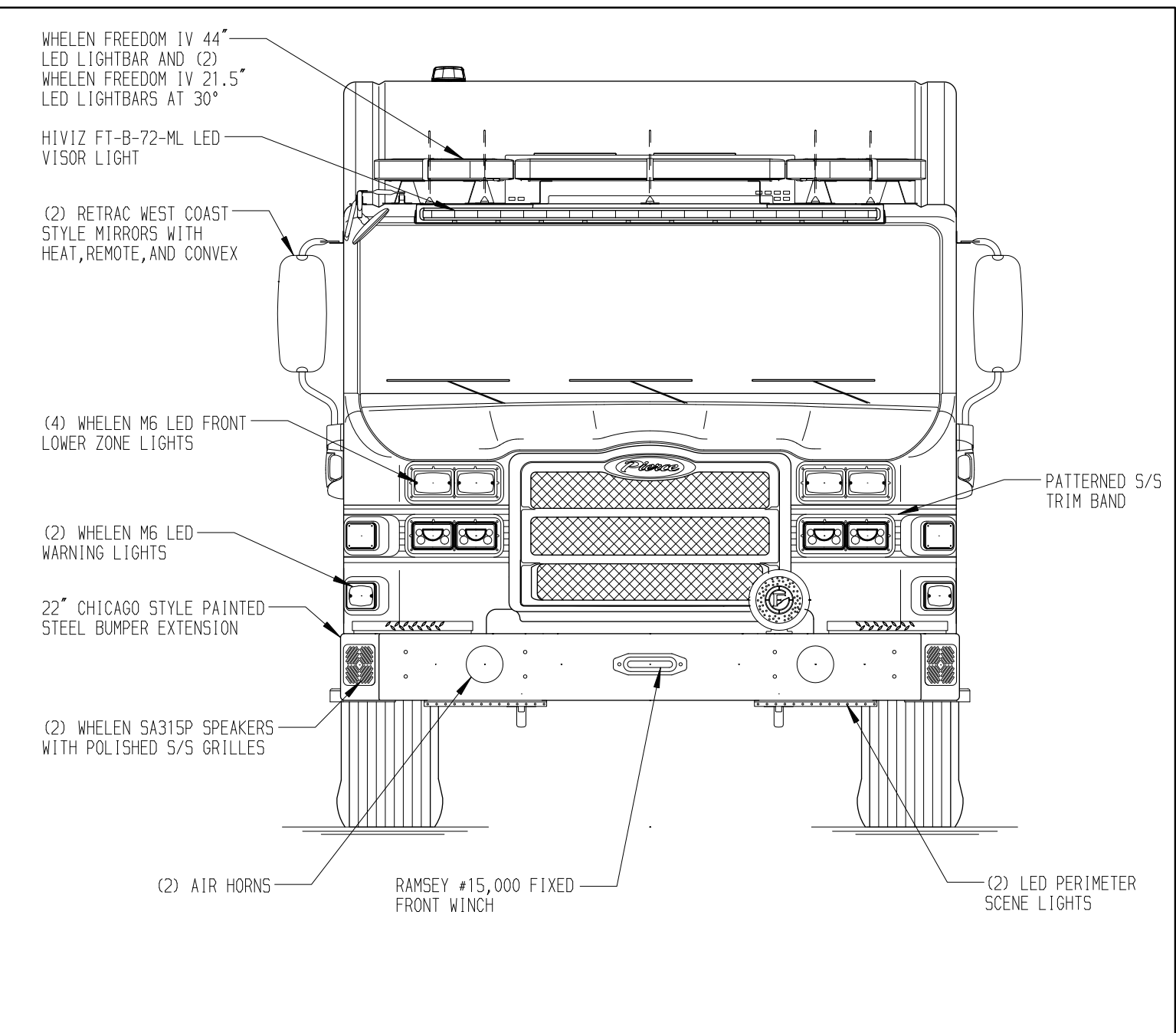
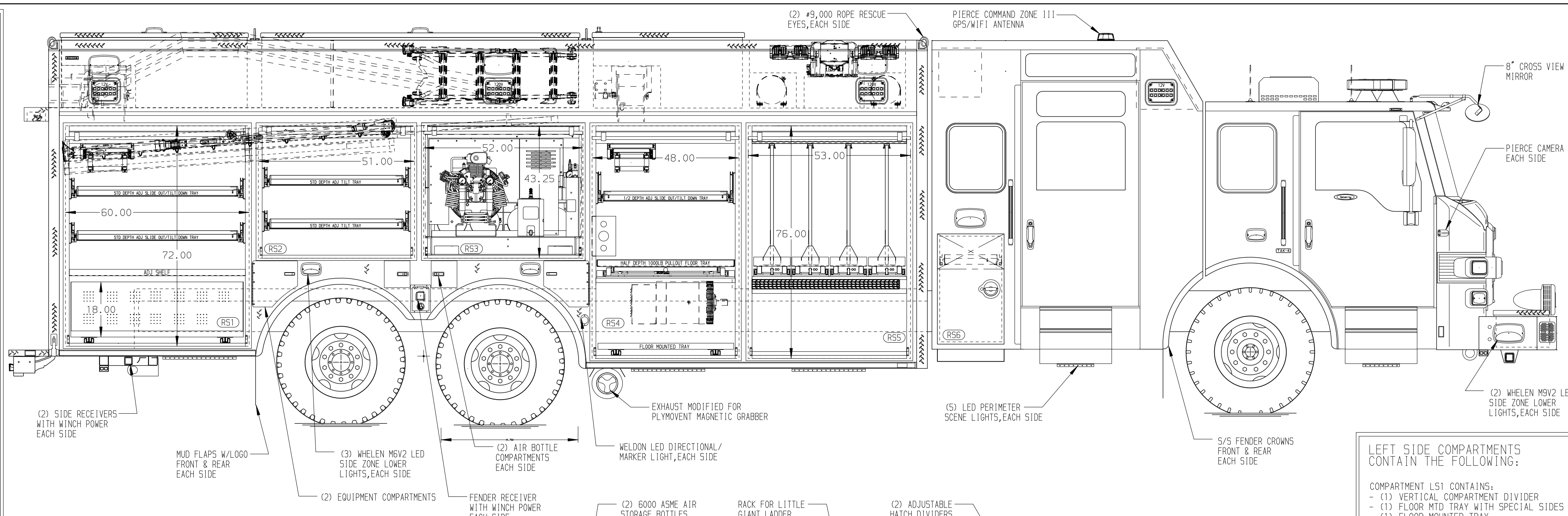


RIGHT SIDE COMPARTMENTS CONTAIN THE FOLLOWING:

- COMPARTMENT RS1 CONTAINS:
 - (2) STD DEPTH ADJ SLIDE OUT/TILT TRAYS
 - (1) FLOOR MTD TRAY W/PEGBOARD SIDES
 - (1) STD DEPTH ADJUSTABLE SHELF
 - (1) SLIDE OUT ROLLER GUIDE BRACKET
 - (1) ELECTRIC CORD REEL WITH 200' OF 10/4 YELLOW CORD
 - (1) 20A, 120V DUPLEX RECEPTACLE
- COMPARTMENT RS2 CONTAINS:
 - (2) STD DEPTH ADJ SLIDE OUT/TILT TRAYS
 - (1) 20A, 120V DUPLEX RECEPTACLE
- COMPARTMENT RS3 CONTAINS:
 - (1) BAUER BREATHING AIR COMPRESSOR
 - (6) 6000 ASME AIR STORAGE BOTTLES
- COMPARTMENT RS4 CONTAINS:
 - (1) HORIZONTAL FLOOR EXTENSION
 - (1) 1/2 DEPTH FLOOR MTD SLIDEMASTER TRAY
 - (1) FLOOR MOUNTED TRAY
 - SPOT/FLOOD LIGHT SWITCHES
 - (1) 20A, 120V DUPLEX RECEPTACLE
 - (1) LOW PRESSURE AIR CONTROL PANEL
 - (1) SLIDE OUT ROLLER GUIDE BRACKET
 - (1) 1/2 DEPTH ADJ SLIDE OUT/TILT TRAY
 - (1) LOW PRESSURE AIR REEL W/200' OF HOSE
- COMPARTMENT RS5 CONTAINS:
 - (1) HORIZONTAL FLOOR EXTENSION
 - (1) TRANSVERSE FALSE FLOOR
 - (1) RACK FOR PLYWOOD (3"H)
 - (4) 2-WAY SLIDEMASTER TRAYS WITH TOOLBOARDS
 - ANGLED FLOOR FOR CRIBBING
- COMPARTMENT RS5 CONTAINS:
 - (1) 3/4 DEPTH ADJ SLIDE OUT TRAY



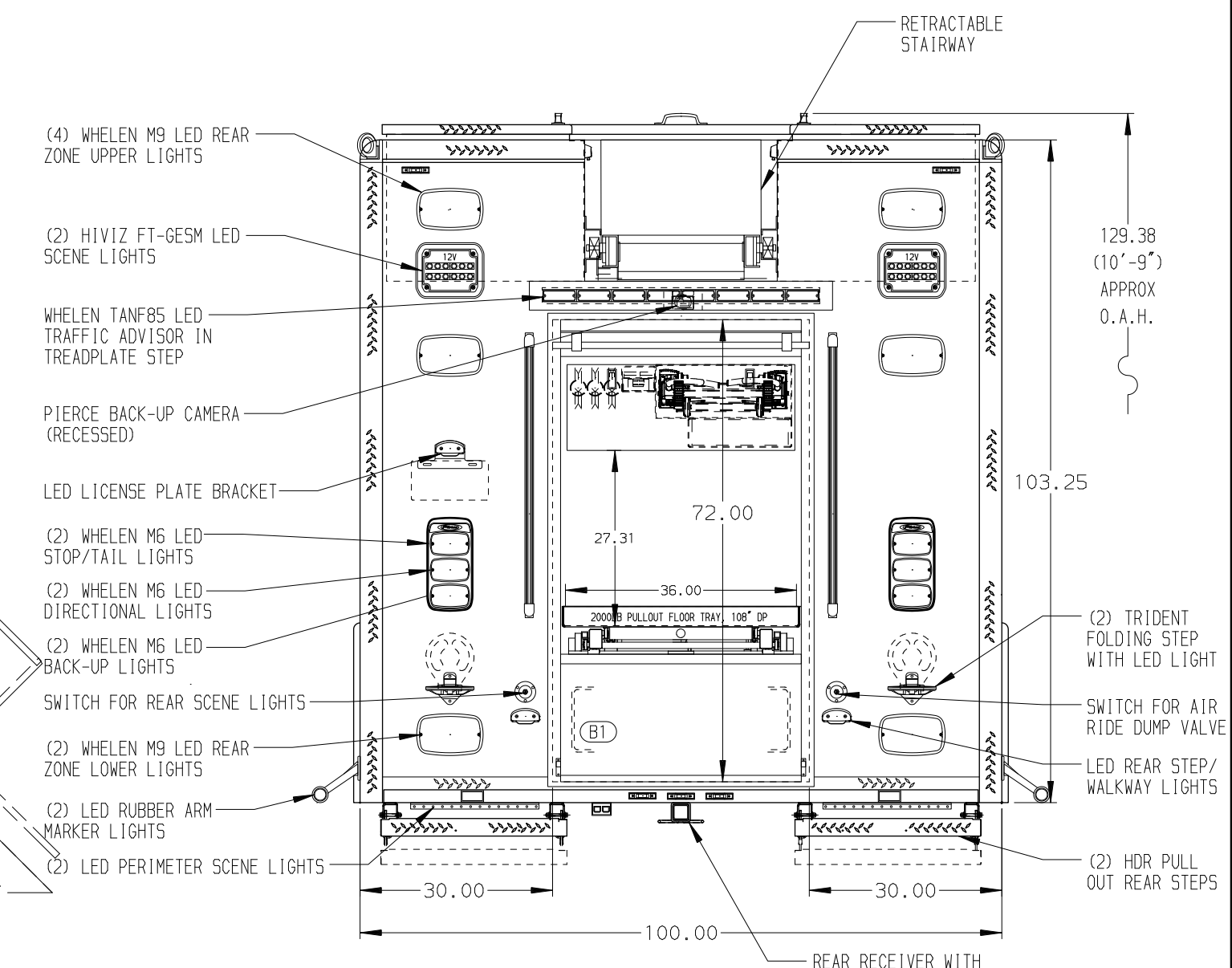
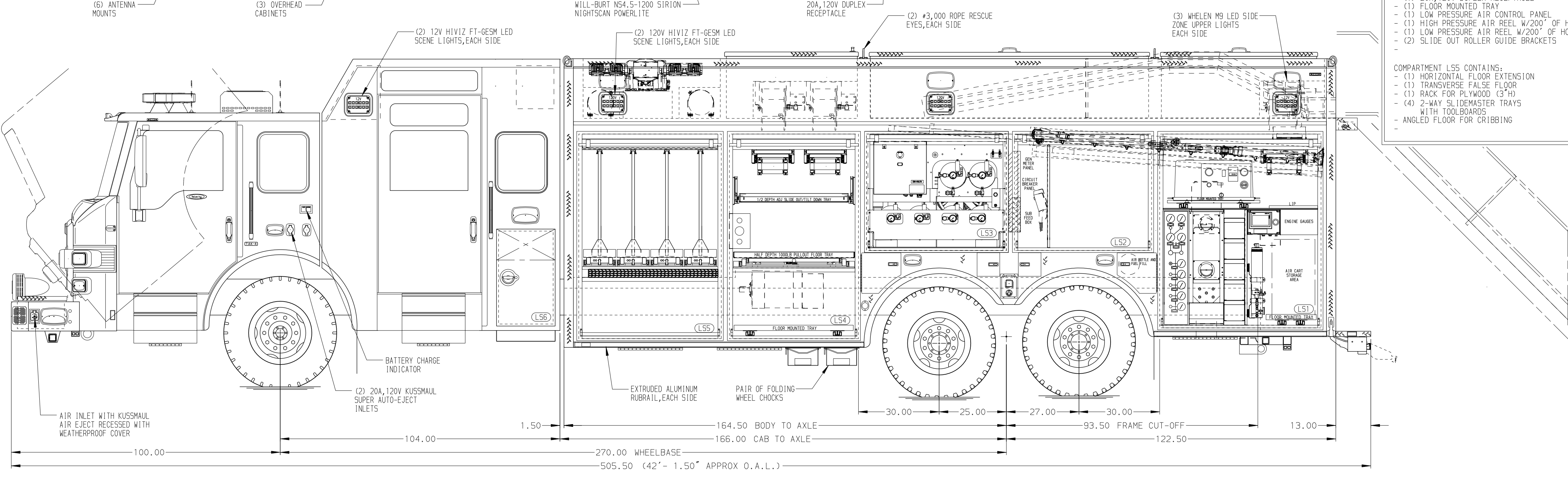
LEFT SIDE COMPARTMENTS CONTAIN THE FOLLOWING:

- COMPARTMENT LS1 CONTAINS:
 - (1) VERTICAL COMPARTMENT DIVIDER
 - (1) FLOOR MTD TRAY WITH SPECIAL SIDES
 - (1) FLOOR MOUNTED TRAY
 - (1) 3/8" ADJUSTABLE PLATE
 - (1) 1" RETENTION LIP ON PLATE
 - (1) 20A, 120V DUPLEX RECEPTACLE
 - (1) ENGINE GAUGE PANEL
 - (1) SLIDE OUT ROLLER GUIDE BRACKET
 - (1) RACK FOR 5 SCBA BOTTLES
 - (1) ELECTRIC CORD REEL WITH 200' OF 10/4 YELLOW CORD
 - SPOT/FLOOD LIGHT SWITCHES
 - (1) CASCADE SYSTEM CONTROL PANEL
 - (1) "SPACESAVER" 2-BOTTLE FILL ENCLOSURE
 - (1) BREATHING AIR BOOSTER PUMP
 - BREATHING AIR SYSTEM PURIFIERS
 - BAUER COMPRESSOR CONTROLLER
- COMPARTMENT LS2 CONTAINS:
 - (1) VERTICAL COMPARTMENT DIVIDER
 - (1) CIRCUIT BREAKER PANEL
 - (1) SUB FEED BOX
 - (1) GENERATOR METER PANEL
 - (1) NIGHT SCAN CONTROL
 - (1) 20A, 120V DUPLEX RECEPTACLE
- COMPARTMENT LS3 CONTAINS:
 - (1) BAUER BREATHING AIR COMPRESSOR
 - (6) 6000 ASME AIR STORAGE BOTTLES
- COMPARTMENT LS4 CONTAINS:
 - (1) HORIZONTAL FLOOR EXTENSION
 - (1) 1/2 DEPTH SLIDEMASTER FLOOR TRAY
 - (1) 1/2 DEPTH SLIDE OUT/TILT TRAY
 - (1) 20A, 120V DUPLEX RECEPTACLE
 - (1) FLOOR MOUNTED TRAY
 - (1) LOW PRESSURE AIR CONTROL PANEL
 - (1) HIGH PRESSURE AIR REEL W/200' OF HOSE
 - (1) LOW PRESSURE AIR REEL W/200' OF HOSE
 - (2) SLIDE OUT ROLLER GUIDE BRACKETS
- COMPARTMENT LS5 CONTAINS:
 - (1) HORIZONTAL FLOOR EXTENSION
 - (1) TRANSVERSE FALSE FLOOR
 - (1) RACK FOR PLYWOOD (3"H)
 - (4) 2-WAY SLIDEMASTER TRAYS WITH TOOLBOARDS
 - ANGLED FLOOR FOR CRIBBING

REAR COMPARTMENT CONTAINS THE FOLLOWING:

COMPARTMENT B1 CONTAINS:

- (1) HORIZONTAL FLOOR EXTENSION
- (1) #2,000 108" DP FLOOR MOUNTED SLIDEMASTER TRAY
- (1) RACK FOR LITTLE GIANT OVERHAUL LADDER
- (1) RACK FOR LITTLE GIANT PLANK
- (1) RACK FOR 3 PIKE POLES
- (1) RACK FOR 12' FOLDING LADDER



NOTE
DIMENSIONS SHOWN ARE APPROXIMATE AND ARE SUBJECT TO MINOR DEVIATIONS AS MAY OCCUR OR BE NECESSARY IN CONSTRUCTION. MINOR DETAILS NOT SHOWN.

- NOTES:**
- ONAN 40kW THREE PHASE PTO DRIVEN GENERATOR LOCATED BETWEEN THE FRAME RAILS
 - ONSPOT AUTOMATIC TIRE CHAINS
 - KUSSMAUL BRAKE SYSTEM COMPRESSOR LOCATED BEHIND THE OFFICER'S SEAT
 - WARN #9,000 PORTABLE RECEIVER STYLE WINCH
 - POLISHED S/S SCUFFPLATES ON CAB AND CREW CAB DOOR JAMBS
 - ALUMINUM TREADPLATE ON CAB ROOF
 - FLOOR IN CAB AND CREW CAB TO BE ALUMINUM TREADPLATE
 - KUSSMAUL CHARGER LOCATED BEHIND THE DRIVER'S SEAT
 - ALUMINUM TREADPLATE ON ALL BODY CORNERS, ROOF EDGES, AND REAR FENDER PANELS
 - (2) RECEIVER STYLE #9,000 ROPE RESCUE ANCHORS
 - ALUMINUM TREADPLATE ON BODY COMPARTMENT FLOORS
 - 5/8" L-SHAPED GUARDS ON ALL BODY ROLL-UP DOORS
 - ELASTIC PULL STRIPS ON ALL BODY ROLL-UP DOORS
 - HIVIZ LED LIGHTS IN ALL BODY AND HATCH COMPARTMENTS
 - TURTLE TILE MATTING ON SHELVES AND TRAYS AND HATCH COMPARTMENT FLOORS
 - VENTS IN ALL BODY HATCH COMPARTMENTS
 - 20A, 120V 6-PLACE RECEPTACLE LOCATED IN FORWARD FACING OVERHEAD CABINET
 - (2) 20A, 120V 4-PLACE RECEPTACLES ON ENGINE TUNNEL SLANT

(SIDE ROLL AND FRONTAL IMPACT PROTECTION)

CLEAR DOOR WIDTH KEY		CHASSIS DATA	
AMOR ROLL UP DOORS:	-1 7/8"	16DEC22	DHE AZU
CURTLE ROLL UP DOORS:	-2 3/4"	26OCT22	DHE AZU
PIERCE DOUBLE LIP DOORS:	-4 1/4"	21JUL22	DHE CDK
PIERCE LIFT-UP LIP DOORS:	-1 1/2"		
(EX: 60" F-F - 1 7/8" = 58 1/8" CLEAR)		REV	DATE BY CH
(F-F) = FRAME TO FRAME			VFR10420

		JOB NO.	37285
		SCALE	DATE
TITLE	HEAVY DUTY RESCUE NON-WALKIN	DRAWN BY	DHE 27JUN22
FOR	BRIDGEWATER FIRE DISTRICT #4	CHECKED BY	CDK 29JUN22
	BID #408	DRAWN BY	DRISCOLL, KEVIN
DWG NO.	37285AD	SHEET SIZE	SHEET NO.
			D 1 OF 1