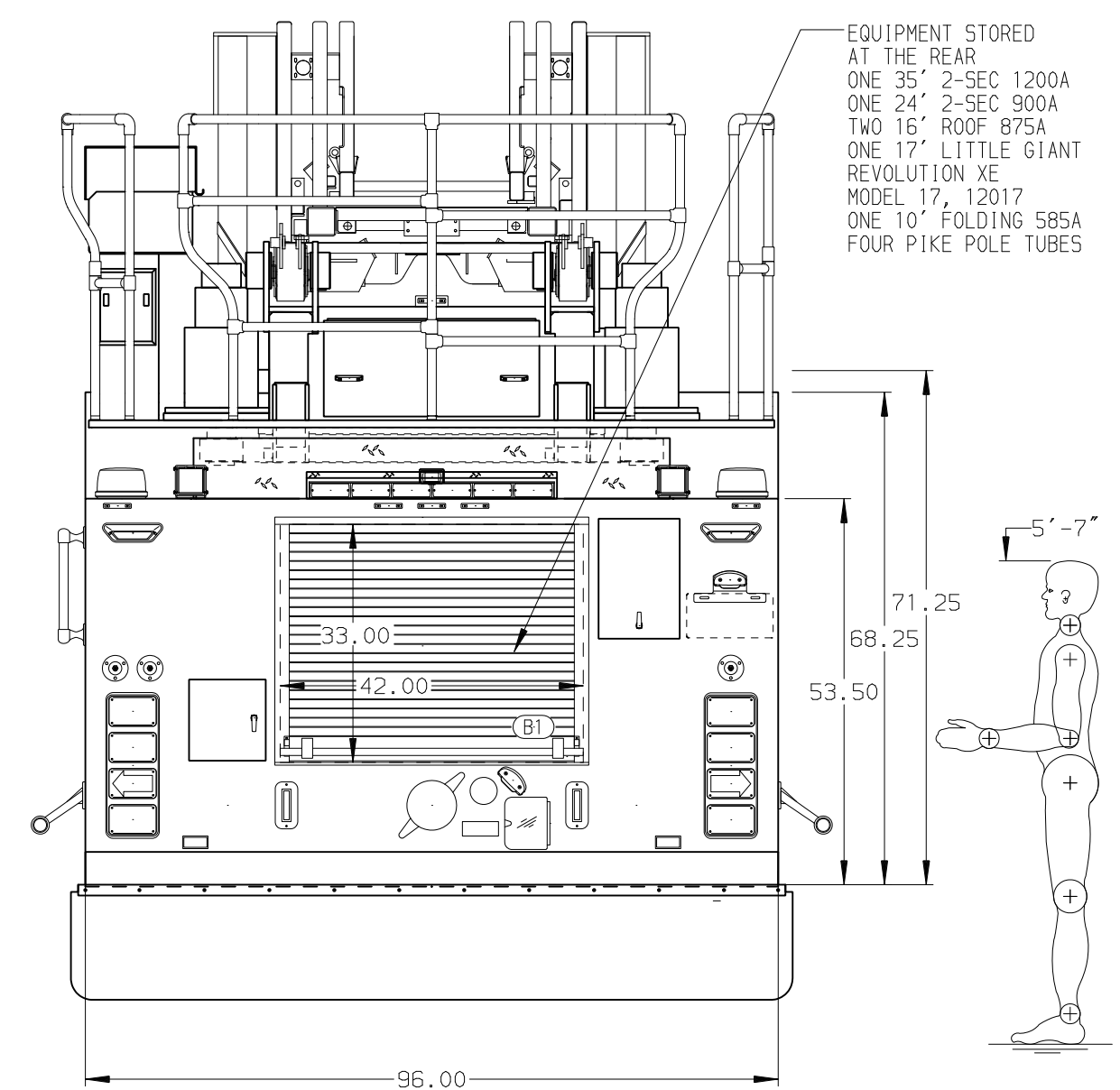
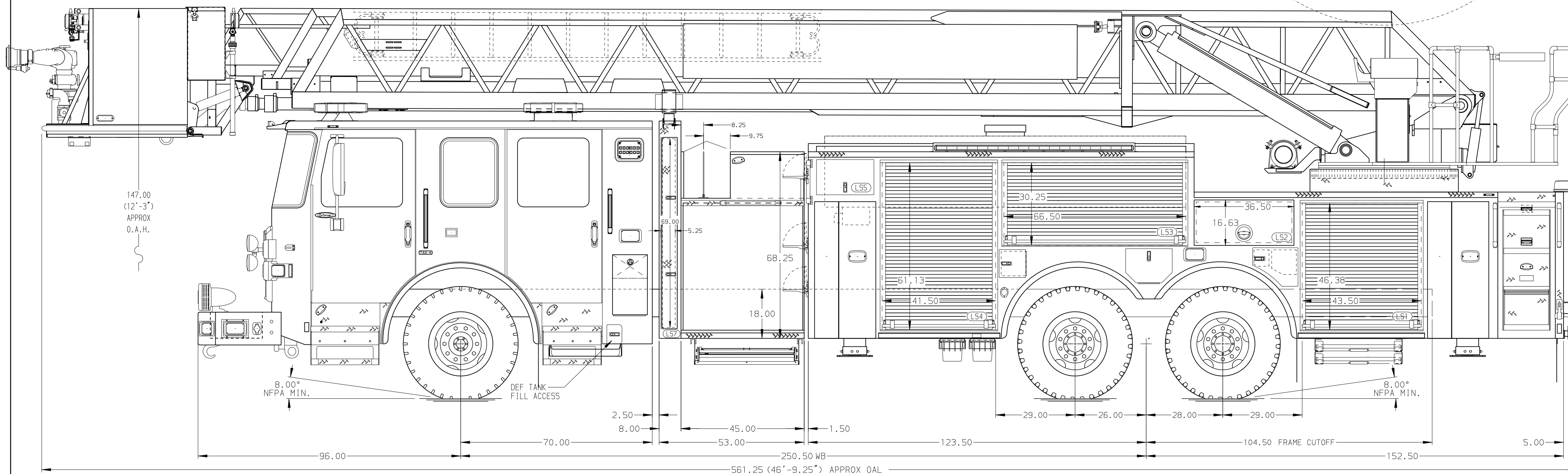


<p><b>BODY</b></p> <p>100' Steel Platform Alum Body</p> <p>COMPT, LEFT SIDE FRONT FH/FD RollUp Forward w/o Chute</p> <p>COMPT, LEFT SIDE REAR FH/FD RollUp and Lift-up Rearward</p> <p>COMPT, RIGHT SIDE FRONT Full Height RollUp Forward</p> <p>COMPT, RIGHT SIDE REAR Full Height RollUp and Liftup Rearward</p>	<p><b>WATER TANK</b></p> <p>500 Gallon PAP Poly Water Tank</p> <p>Foam System Foam System Not Required</p> <p>Foam Cell Foam Cell Not Required</p>
--	--



<p><b>CHASSIS</b></p> <p>Enforcer Chassis</p> <p><b>ENGINE</b></p> <p>510 HP Paccor MX13 Engine</p>	<p><b>CAB</b></p> <p>7000 Enforcer Cab</p> <p><b>BUMPER</b></p> <p>27" Extended Underslung Steel</p>	<p><b>AXLE, FRONT, CUSTOM</b></p> <p>22,800 Lb TAK-4 Axle</p> <p><b>AXLE, REAR</b></p> <p>60,000 Lb Meritor Axle</p>	<p><b>TRANSMISSION</b></p> <p>Allison 6th Gen, 4000 EV5 P</p>	<p><b>PUMPHOUSE</b></p> <p>45" Control Zone Side Mount</p> <p><b>PUMP</b></p> <p>2000 GPM Waterous CSU</p>	<p><b>CROSSLAYS, 1.50"</b></p> <p>(1) 1.50" Standard Capacity</p> <p><b>CROSSLAYS, 2.50"</b></p> <p>(1) 2.50" Standard Capacity</p>	<p><b>SPEEDLAYS</b></p> <p>Speedlays Not Required</p> <p><b>GENERATOR</b></p> <p>Generator Not Required</p>	
<p><b>NOTE</b></p> <p>DIMENSIONS SHOWN ARE APPROXIMATE AND ARE SUBJECT TO MINOR DEVIATIONS AS MAY OCCUR OR BE NECESSARY IN CONSTRUCTION. MINOR DETAILS NOT SHOWN.</p>							

		JOB NO.	PRELIM
		SCALE	DATE
		1:24	
		DRAWN BY	31JAN23
		LWE	
		CHECKED BY	
		-	
		SHEET SIZE	SHEET NO.
		D	1 OF 1

CHASSIS DATA	TITLE	100 AERIAL PLATFORM & BODY ASSEMBLY (PAP100A)
MAKE	FOR	TOWN OF HAMMONTON
PIERCE		BID# 360
MODEL		FIRE & SAFETY SERVICES, LTD
		SQUIRE, SAM
REV	DATE	DWG NO.
		70373