



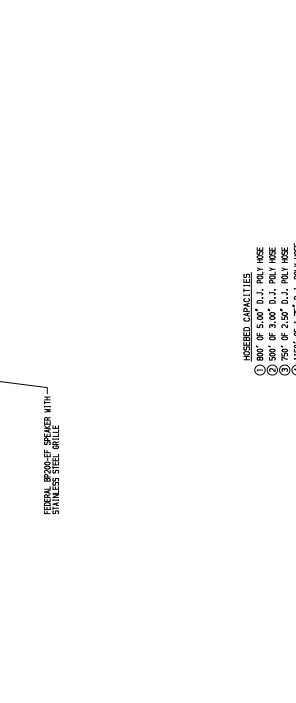
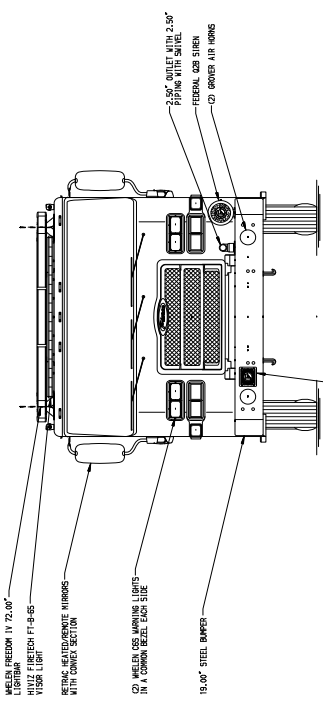
**Pierce Enforcer Pumper**  
Lakewood Fire District #1  
Job #36780-01

**FEATURES & SPECIFICATIONS**

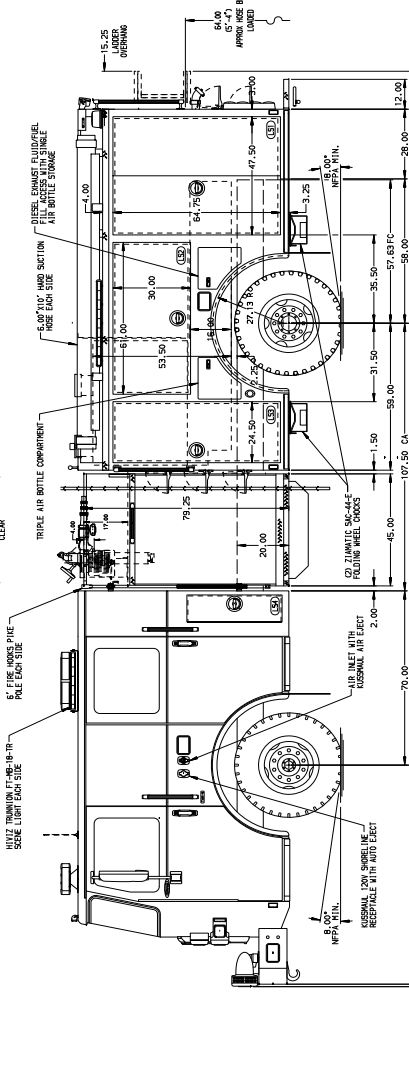
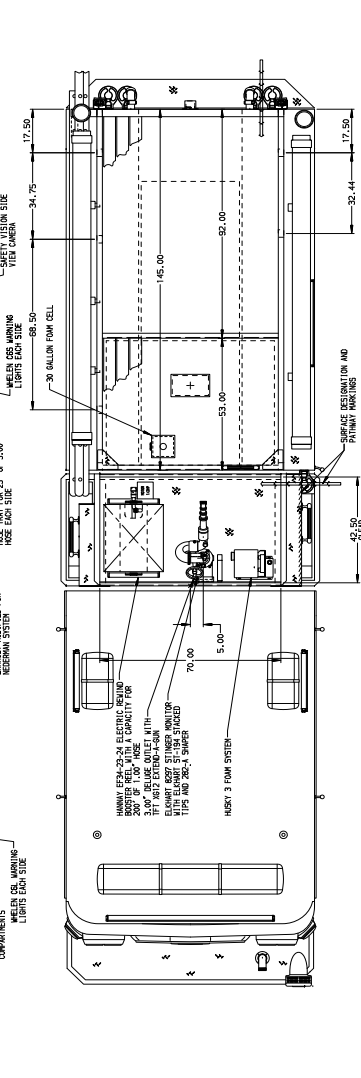
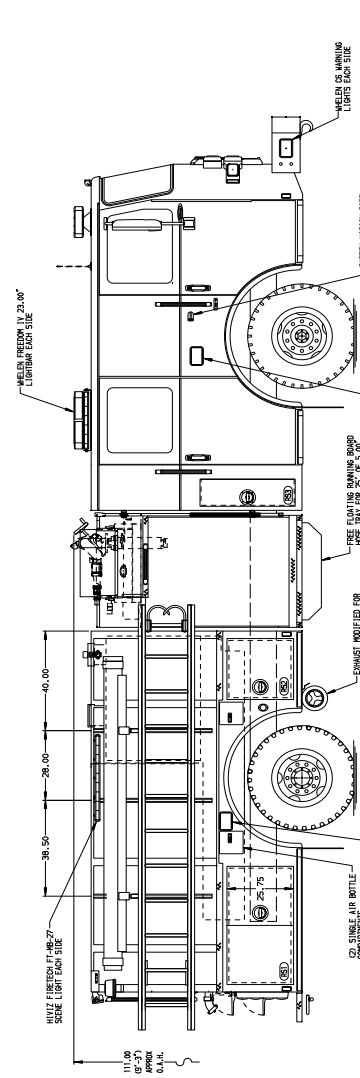
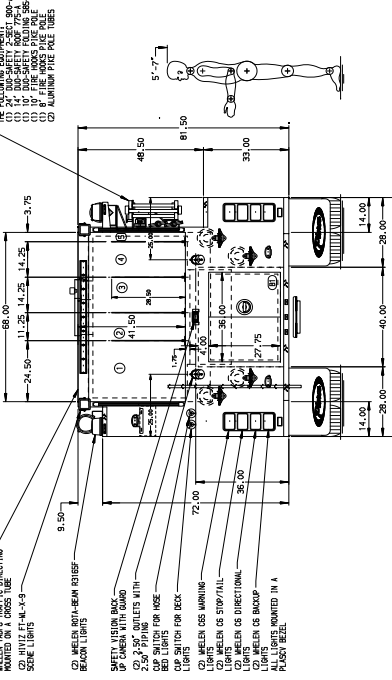
- Pierce Enforcer 70" Chassis with a Flat Roof
- Cummins L9 450hp 2021 EPA Compliant Engine
- Allison EVS3000P Automatic Transmission
- TAK-4 Independent Front Suspension
- Waterous CSU 1250 GPM Single Stage Pump
- 650 Gallon Poly "New York Style" Water Tank
- Husky 3 Single Agent Foam System
- Xantrex Freedom Inverter/Battery Charger 1500w
- Delivered in October 2022



**FIRE & SAFETY SERVICES, LTD.**  
South Plainfield, NJ  
web: [www.f-ss.com](http://www.f-ss.com) · phone: 800-400-8017



- USED CAPACITIES
- (1) 800' OF 5.00" O.D. POLY HOSE
  - (2) 500' OF 3.00" O.D. POLY HOSE
  - (3) 750' OF 2.50" O.D. POLY HOSE
  - (4) 250' OF 1.75" O.D. POLY HOSE
  - (5) PER DAY



JOB NO. 36780		DATE 01-02	
SCALE 1:1.24		DRAWN BY BJT	
CHECKED BY PHA		22NOV21	
DWG NO. 36780AD		SHEET NO. 1 OF 1	
Pierce MANUFACTURING INC.		TITLE 1250-D-660P 650 GALL. WATER W/30 GAL. FOAM CELL	
CHASSIS DATA		DATE FOR	
DATE		FOR	
BY		ENFORCER NO.	

**ALUMINUM BODY SIDE ROLL AND FRONTAL IMPACT PROTECTION**

NOTE

- 1. DIMENSIONS SHOWN ARE APPROXIMATE AND ARE SUBJECT TO MINOR DEVIATIONS AS MAY OCCUR OR BE NECESSARY IN CONSTRUCTION.
- 2. MINOR DETAILS NOT SHOWN.
- 3. ALL STRIPS FOR BUMPS LOCATED PER ORDER
- 4. AIR WIRE WITH 3/8" OF NET LOCATED PER ORDER
- 5. WHEELS LOCATED PER ORDER
- 6. WHEELS WITH 3/8" NET LOCATED PER ORDER
- 7. WHEELS WITH 3/8" NET LOCATED PER ORDER
- 8. WHEELS WITH 3/8" NET LOCATED PER ORDER
- 9. WHEELS WITH 3/8" NET LOCATED PER ORDER
- 10. WHEELS WITH 3/8" NET LOCATED PER ORDER
- 11. WHEELS WITH 3/8" NET LOCATED PER ORDER
- 12. WHEELS WITH 3/8" NET LOCATED PER ORDER

1:00' SCALE