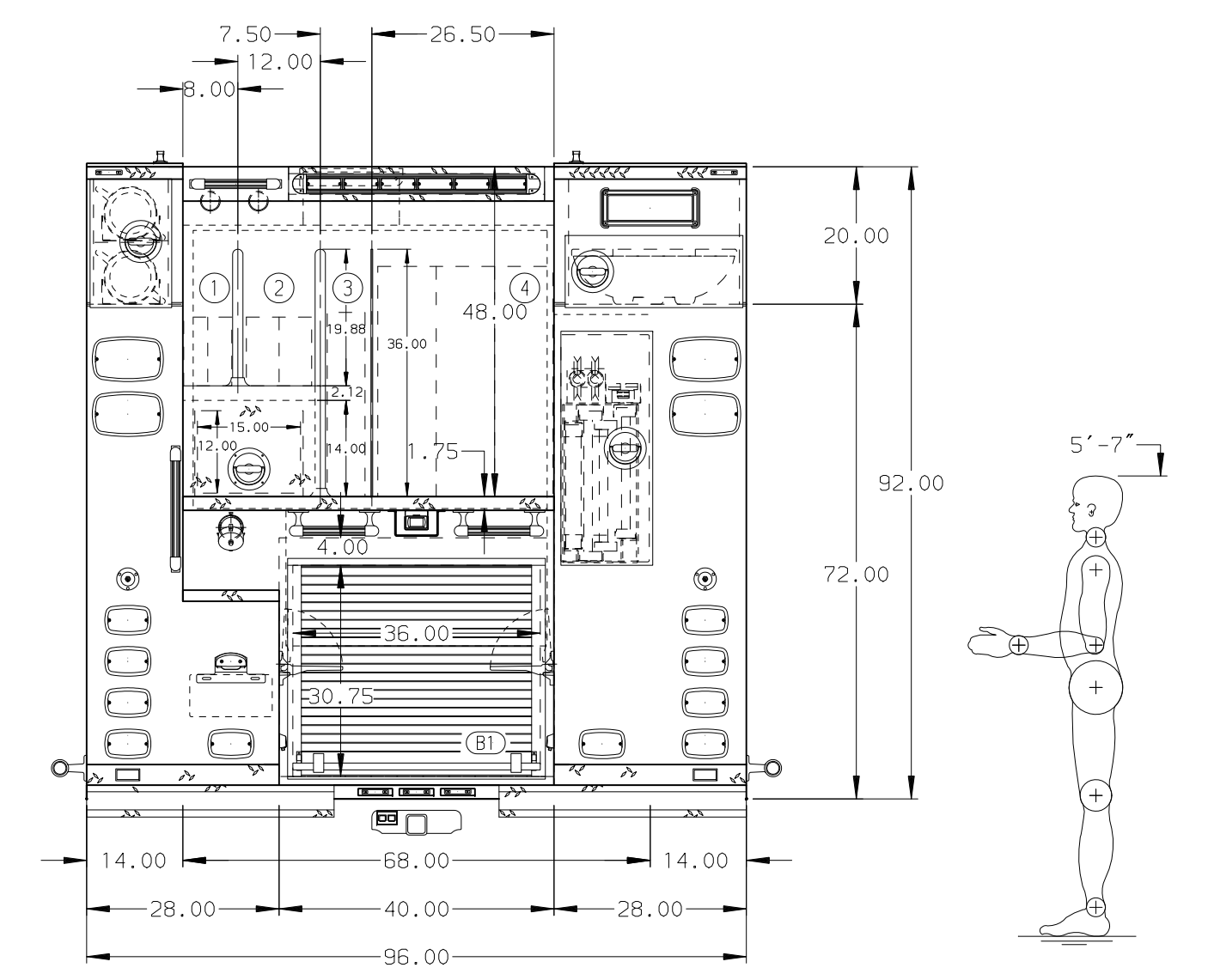
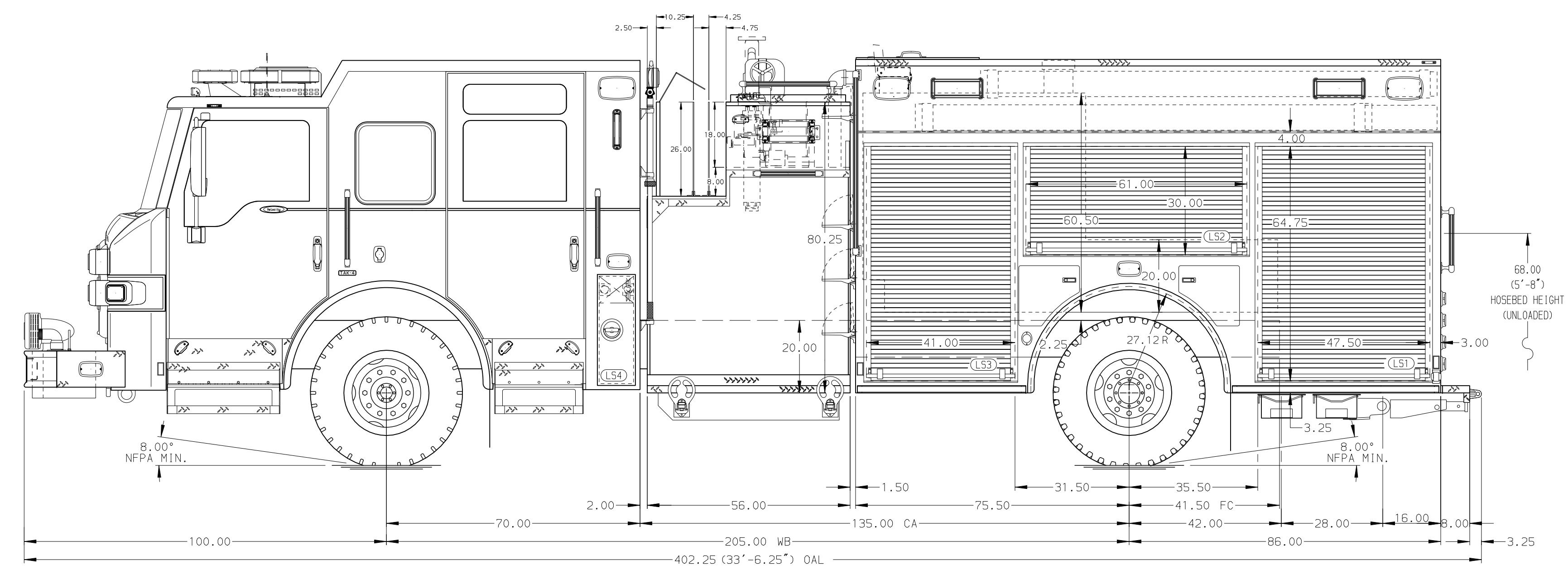


- HOSEBED CAPACITIES
- ① 300' OF 1.75" MERCEDES HOSE
 - ② 300' OF 2.50" MERCEDES HOSE
 - ③ 400' OF 3.00" MERCEDES HOSE
 - ④ 1200' OF 5.00" MERCEDES HOSE



ALUMINUM BODY

MAXIMUM O.A.H. 116.00"

SIDE ROLL AND FRONTAL IMPACT PROTECTION

NOTE
DIMENSIONS SHOWN ARE APPROXIMATE AND ARE SUBJECT TO MINOR DEVIATIONS AS MAY OCCUR OR BE NECESSARY IN CONSTRUCTION. MINOR DETAILS NOT SHOWN.

CUSTOMER APPROVAL			
APPROVED BY:			
DATE:			
REV	DATE	BY	CH

Pierce MANUFACTURING INC.

TITLE: 2000-D-750P W/30G FOAM, 161" FH FDLER DS, FH FD PS (3) XLAYS, LADDERS THRU BODY, DELUGE, GENERATOR

FOR: PISCATAWAY FIRE DISTRICT #4
FIRE & SAFETY SERVICES, LTD. BID# 326
KEVIN DRISCOLL

DWG NO. 05-0464

JOB NO.	PRELIM
SCALE 1:24	DATE
DRAWN BY LST	06MAY22
CHECKED BY NPA	09MAY22
SHEET SIZE D	SHEET NO. 1 OF 1