

B.R.A.T.[®]
BRUSH RAPID ATTACK TRUCK



Firematic Ford F-550 4x4 Rally BRAT 500
Franklin Fire District #2/Griggstown Fire Company
Job #B11177FRA

FEATURES & SPECIFICATIONS

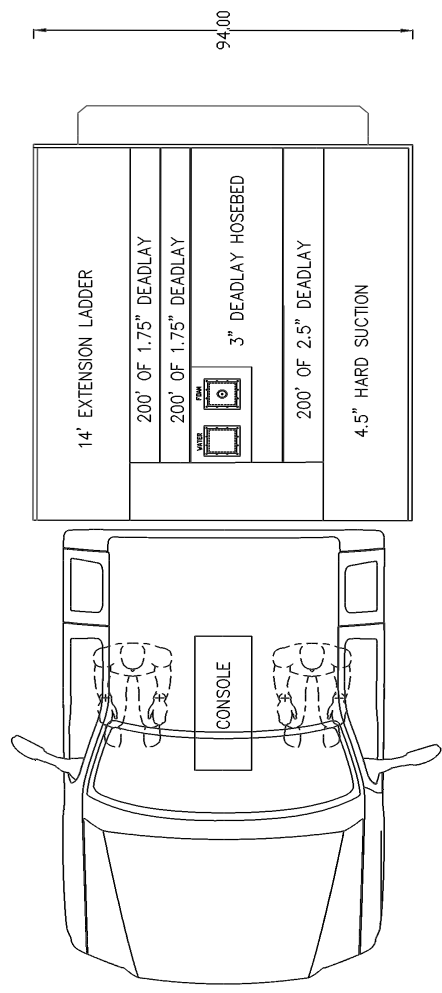
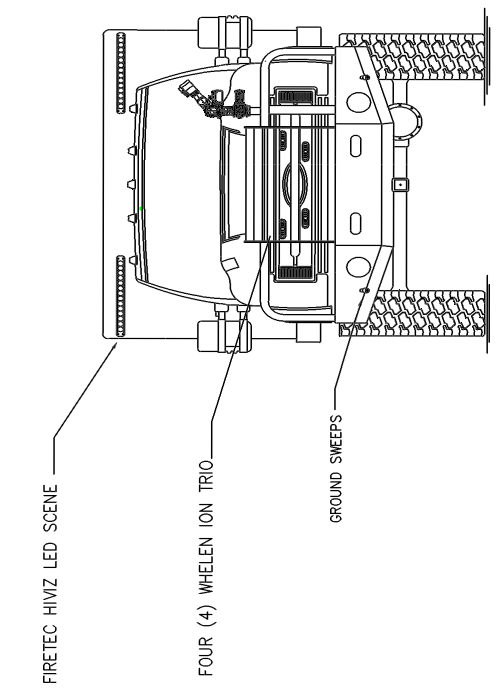
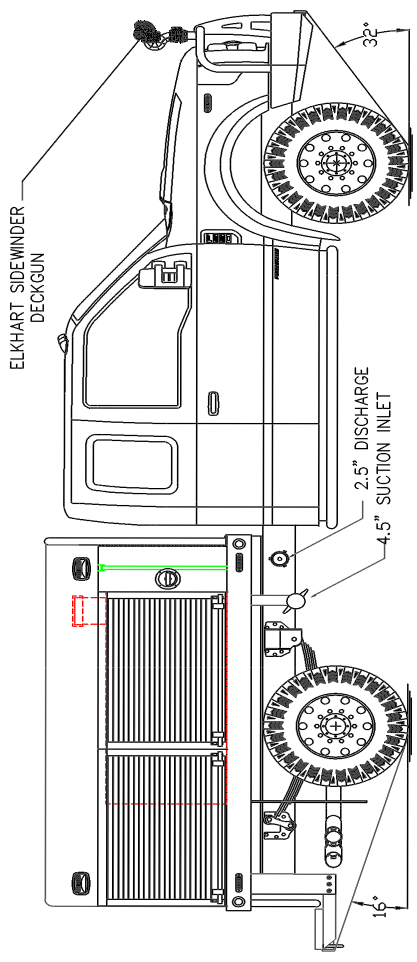
- Ford F-550 4x4 4-Door Chassis
- Ford PowerStroke 330hp Diesel Engine
- Firematic Alum. Deck Plate with Diamondplate Compt. & ROM doors
- Waterous 500 GPM PTO Pump & FoamPro 1600 Class A Foam Sys.
- 300 Gallons ProPoly Water Tank/10 Gallon Foam Cell
- Two(2) 2.5" Rear Discharge, 1.75" Rear Preconnect & Hose Reel
- Delivered September 2021



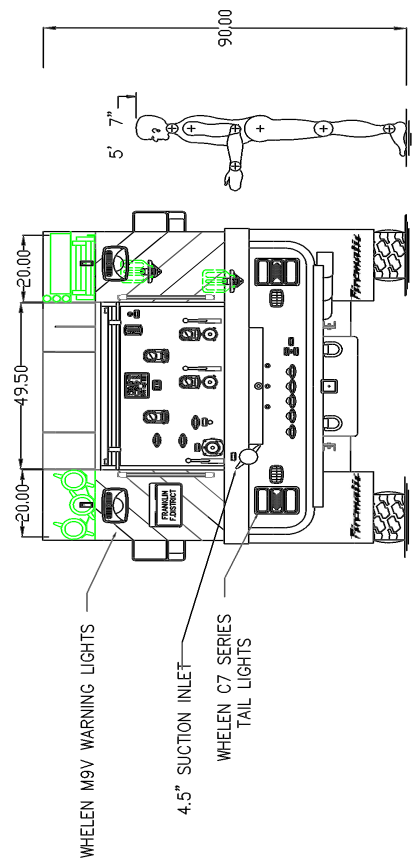
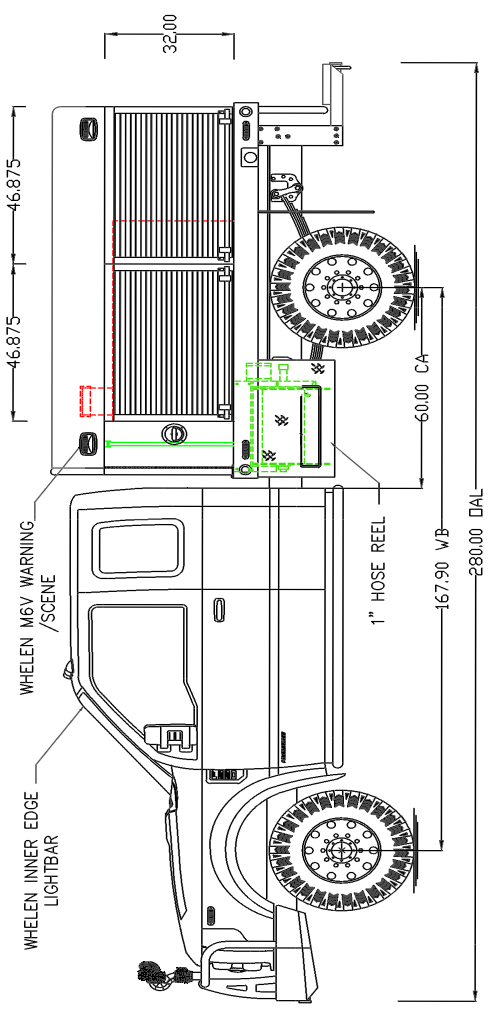
FIRE & SAFETY SERVICES, LTD.

South Plainfield, NJ

web: www.f-ss.com · phone: 800-400-8017



G.V.W. -19,500 LBS
In Service Weight
Approx. -16,250 LBS



NOTE:
THIS DRAWING IS CONCEPTUAL AND IS NOT AN EXACT REPRESENTATION OF THE TRUCK DRAWN. DIMENSIONS SHOWN ARE APPROXIMATE AND ARE SUBJECT TO DEVIATION AS MAY OCCUR OR BE NECESSARY IN CONSTRUCTION. SOME DETAILS NOT SHOWN.

350/10 GALLON POLY-TANK
WATEROUS CLV 500 G.P.M. PUMP
SUPER SINGLE FOUNDERS MT TIRE PACKAGE

Firematic MANUFACTURING

TITLE
BRAT 500 WILDLAND PUMPER

FOR
FRANKLIN TWP FD #2
FRANKLIN PARK, NJ

CHASSIS DATA
CHASSIS: FORD
MODEL: F-550

JOB NO. 2300
DATE FEB 14 2020
DRAWN BY D HORTON
APPROVED BY : D. HORTON