



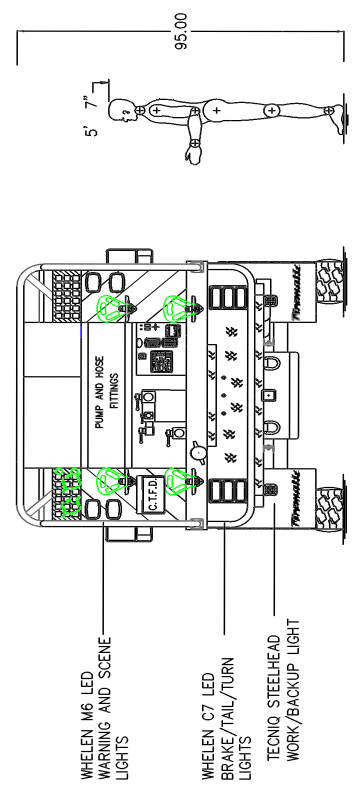
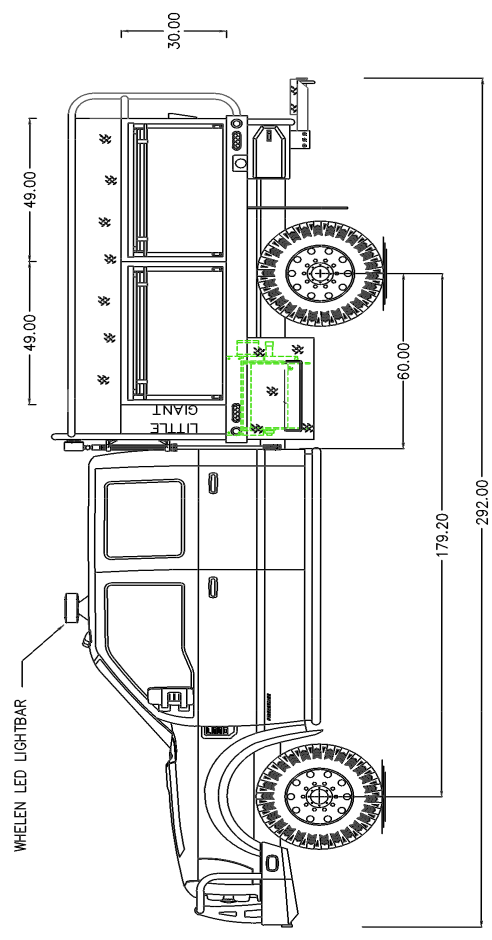
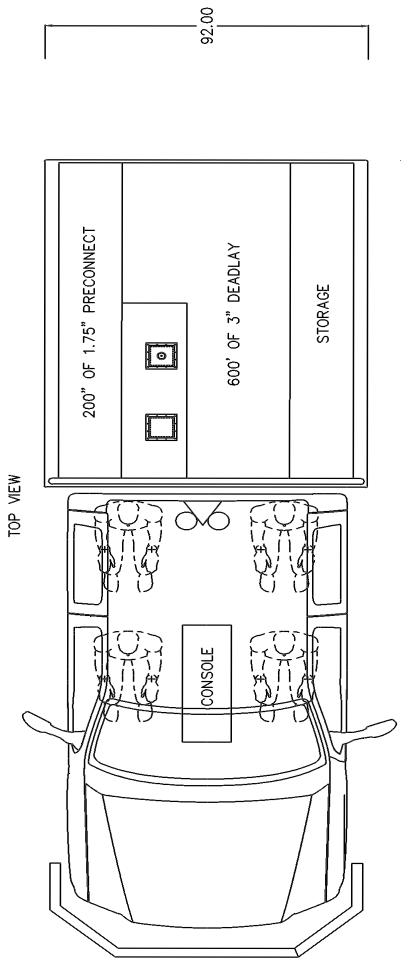
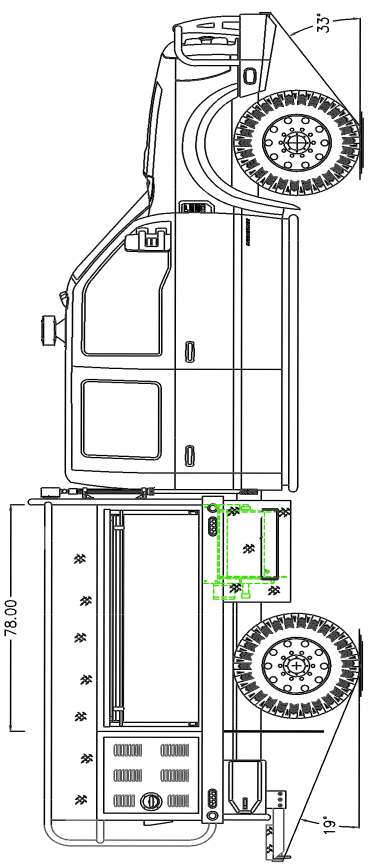
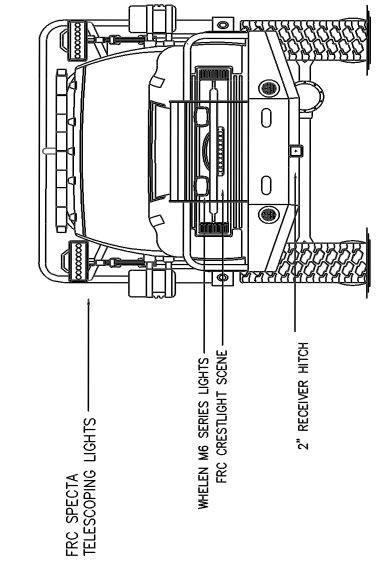
Firematic Ford F-550 4x4 Rally BRAT Wildland Pumper
Chatham Township
Job #B11178CHA

FEATURES & SPECIFICATIONS

- Ford F-550 4x4 4-Door Chassis
- Ford PowerStroke 330hp Diesel Engine
- Firematic Alum. Deck Plate with Diamondplate Compt. & ROM doors
- Hale AP50 500 GPM PTO Pump & FoamPro 1600 Class A Foam Sys.
- 300 Gallons ProPoly Water Tank/10 Gallon Foam Cell
- 2.5" Rear Discharge, 1.75" Rear Preconnect & Two (2) Hose Reels
- Delivered September 2021



FIRE & SAFETY SERVICES, LTD.
South Plainfield, NJ
web: www.f-ss.com · phone: 800-400-8017



Firematic MANUFACTURING		JOB NO.	2155
TITLE	RALLY 550 WILDLAND PUMPER	DATE	NOV 01 2019
FOR	CHATHAM TOWNSHIP FD CHATHAM, NJ	CHASSIS DATA	FORD F-550 CREW CAB
		DRAWN BY	K. ZIMERY
		APPROVED BY	D. HORTON
		SHEET NO.	1 / 1

300 - 10 GALLON POLY-TANK
 HALE 500 GPM PTO PUMP
 SUPER SINGLE FOUNDERS TIRE PACKAGE

NOTE
 THIS DRAWING IS CONCEPTUAL AND IS NOT AN EXACT REPRESENTATION OF THE TRUCK DRAWING. DIMENSIONS SHOWN ARE APPROXIMATE AND ARE SUBJECT TO DEVIATION AS MAY OCCUR OR BE NECESSARY DURING CONSTRUCTION.
 SOME DETAILS NOT SHOWN. DIMENSIONS ARE IN INCHES.