

**PUMPER
BODY**

Medium Aluminum 2nd Gen Pumper

CHASSIS

Enforcer Chassis

**CHASSIS
AXLE, FRONT, CUSTOM**

18,000 Lb Dana Axle

AXLE, REAR

24,000 Lb Dana Axle

ENGINE

450 HP Cummins L9 Engine

TRANSMISSION

Allison 5th Gen, 3000 EVS P

BUMPER

19" Extended

CAB

7000 Enforcer Cab

BODY

WATER TANK

500 Gallon New York Style Water Tank

COMPT, PUMPER, REAR

RollUp Rear Compt

COMPT, PUMPER, LEFT SIDE

136" Lap Full Height Front & Rear

COMPT, PUMPER, RIGHT SIDE

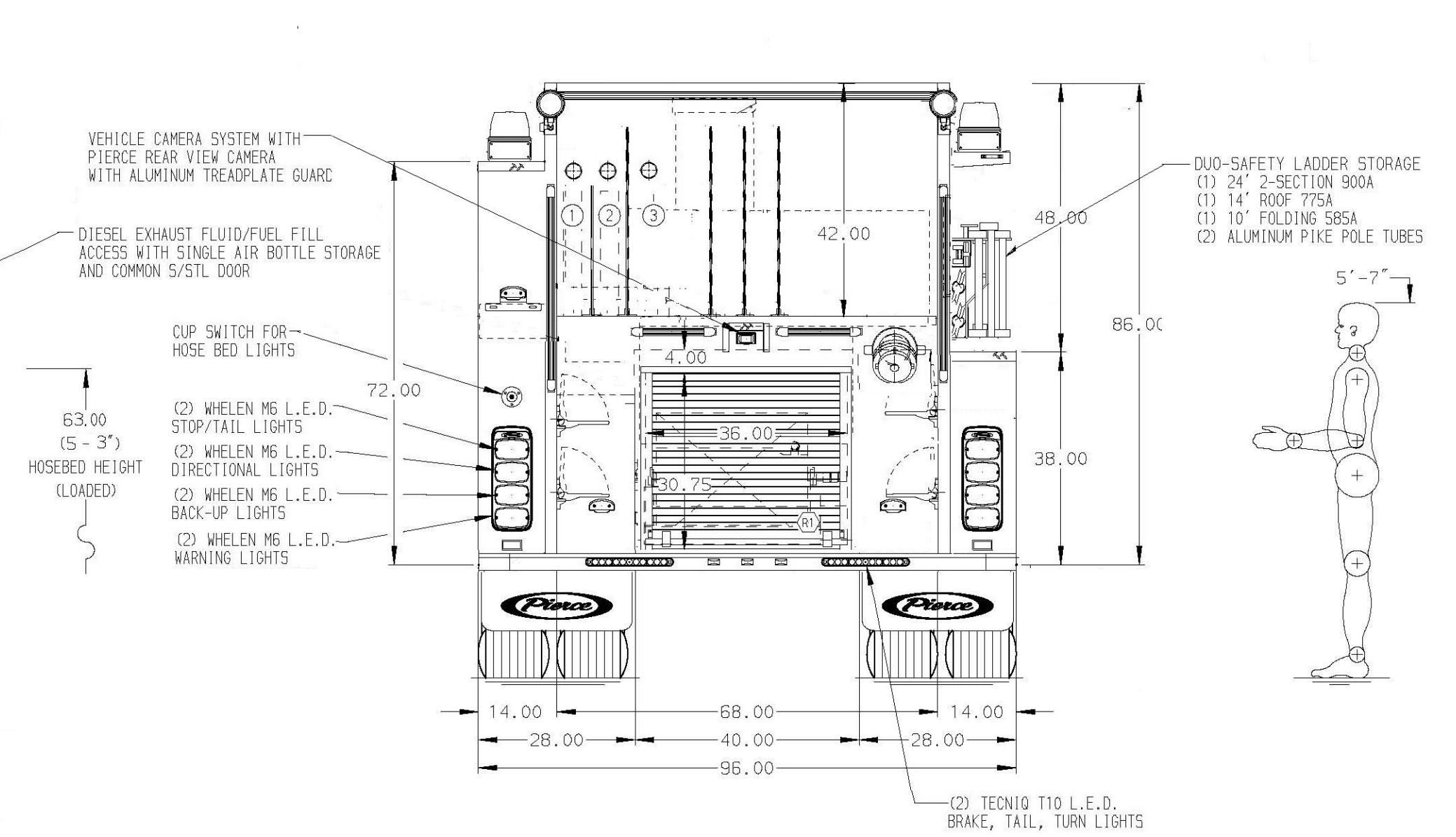
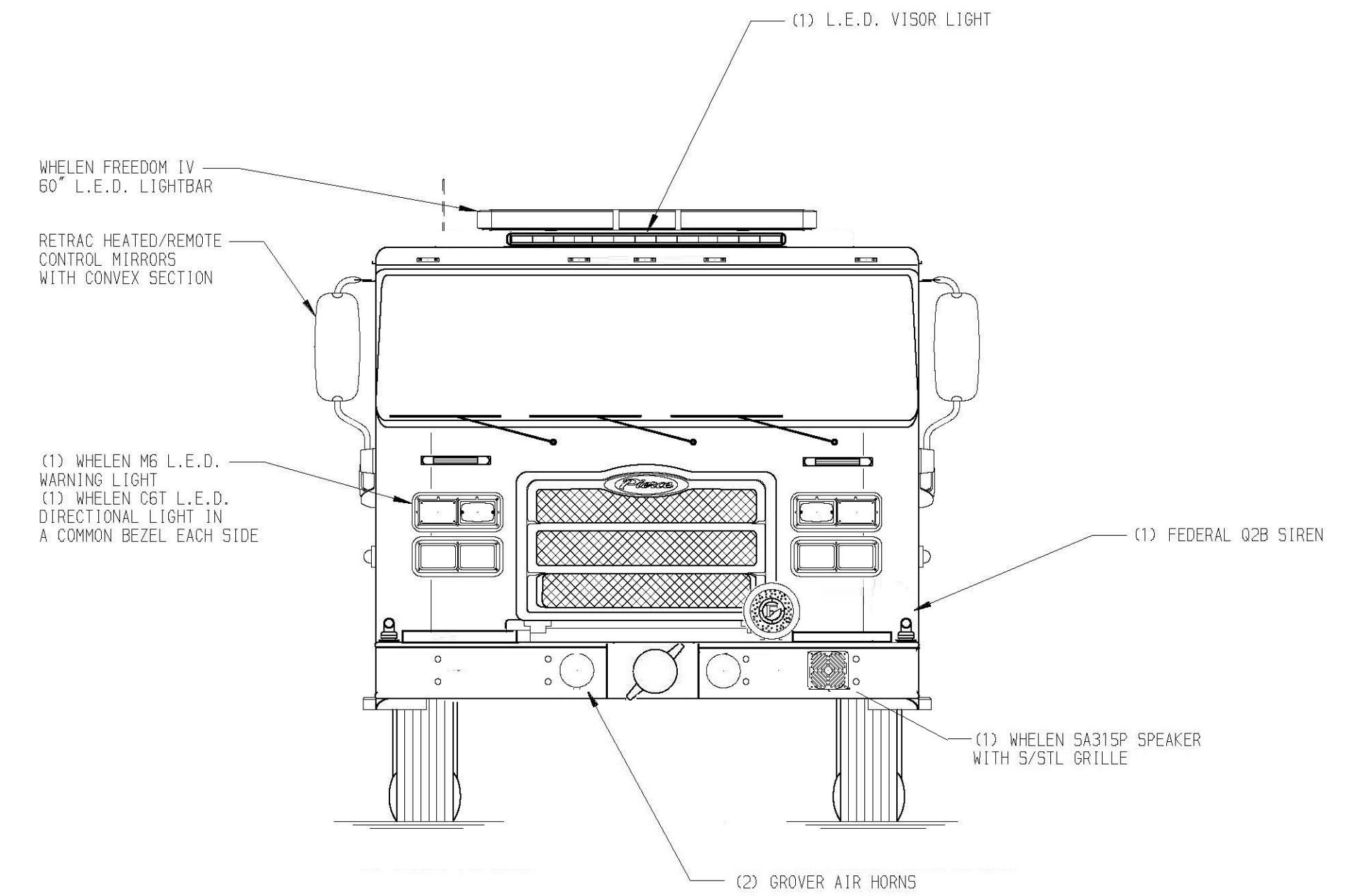
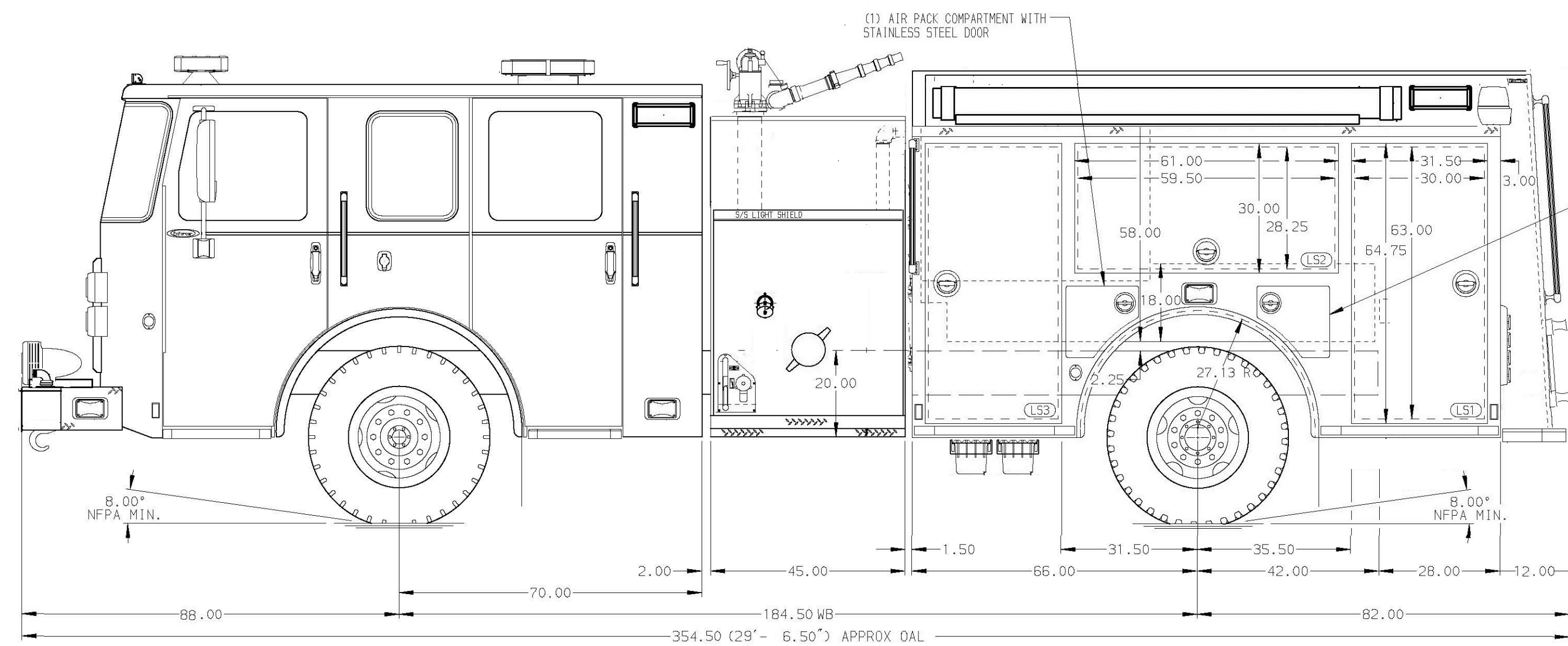
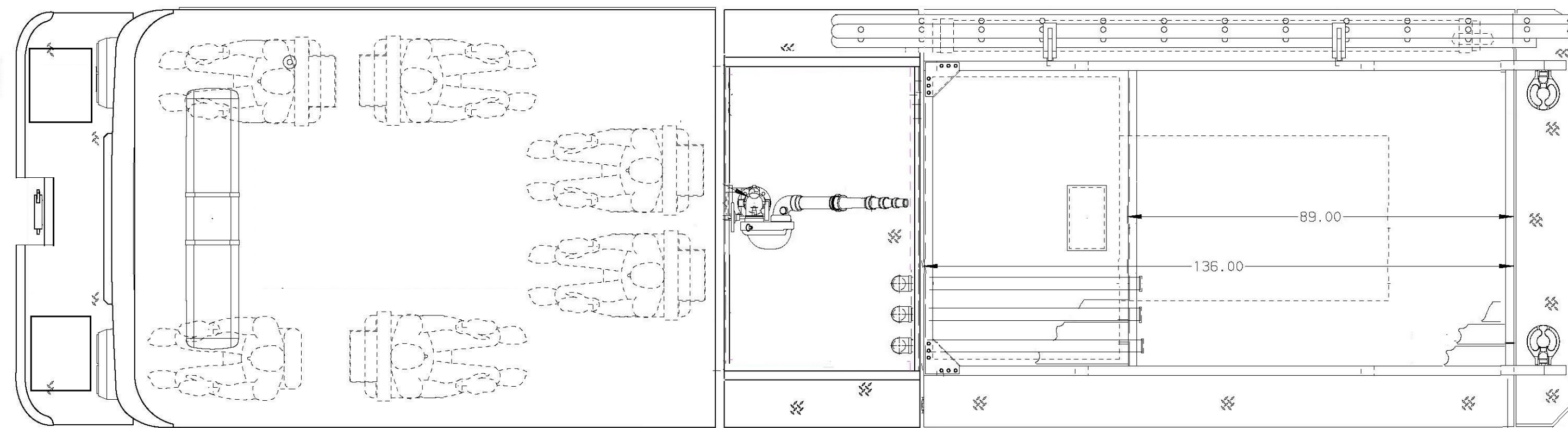
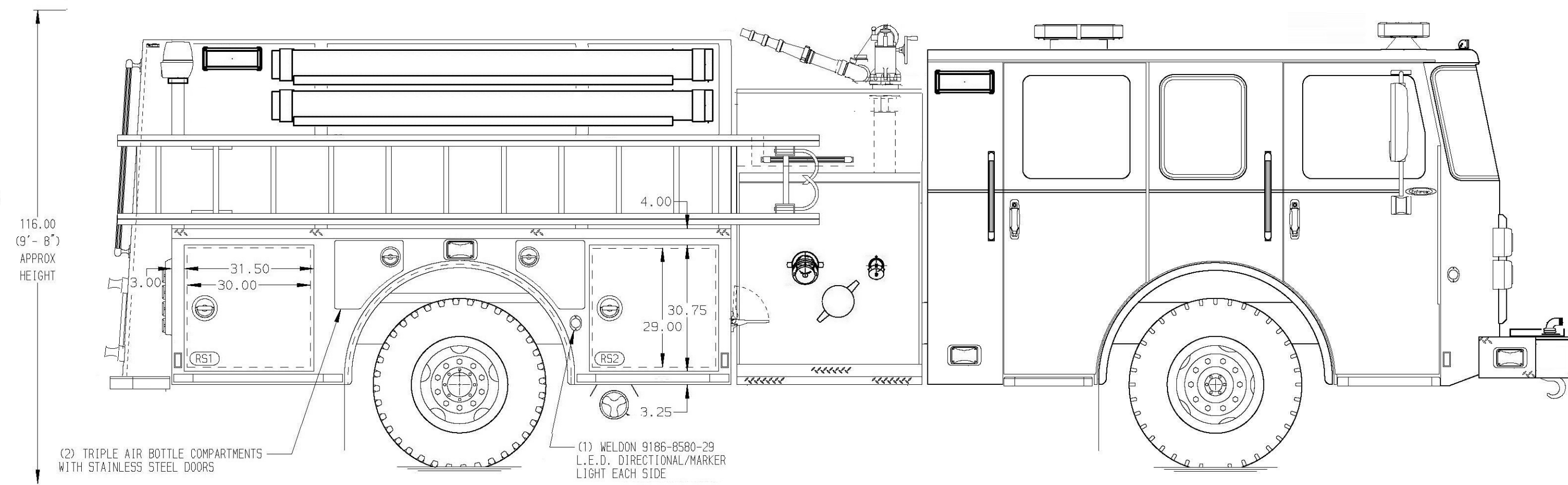
136" Lap Front & Rear

**FIRE SUPPRESSION
PUMPHOUSE**

45" Side Mount

PUMP

2000 GPM Waterous CSU



NOTE
DIMENSIONS SHOWN ARE APPROXIMATE AND ARE SUBJECT TO MINOR DEVIATIONS AS MAY OCCUR OR BE NECESSARY IN CONSTRUCTION. MINOR DETAILS NOT SHOWN.

CUSTOMER APPROVAL				Pierce MANUFACTURING INC.	JOB NO.	-			
APPROVED BY:					SCALE	1:24	DATE		
E	051122	EET		TITLE	ENFORCER PUMPER - 2000 GPM PUMP, 500 GAL NY STYLE WATER TANK, FULL HEIGHT LEFT SIDE / LOW SIDE RIGHT SIDE COMPARTMENTS	DRAWN BY	EET	02MARCH22	
D	050522	EET				FOR	SALEM CITY FIRE DEPARTMENT	CHECKED BY	-
C	050222	EET				SALEM CITY, NEW JERSEY	SHEET SIZE		SHEET NO.
B	041322	EET				DWG NO.	PRELIMINARY DRAWING		
A	032922	EET				ENFORCER			1 OF 1