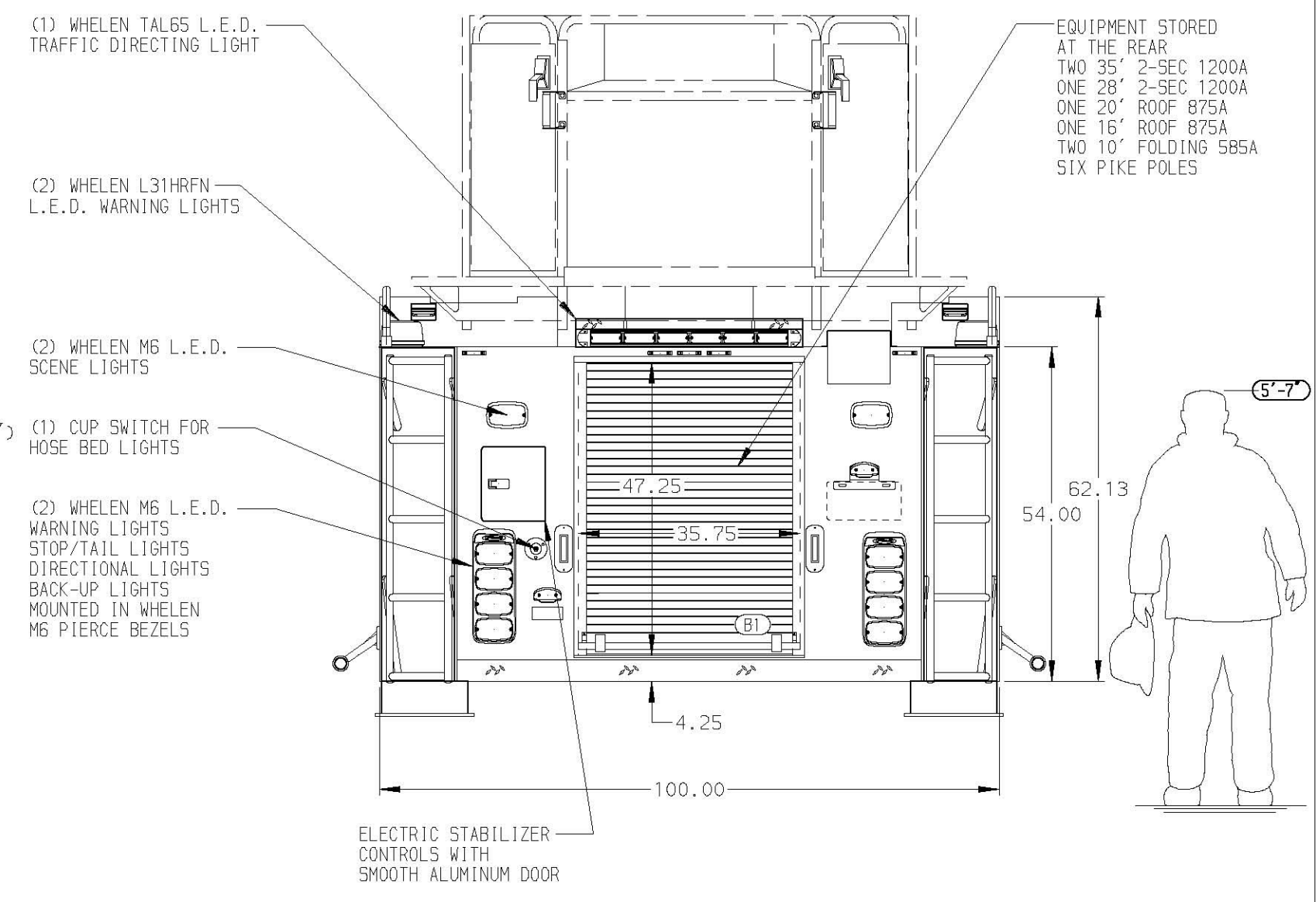
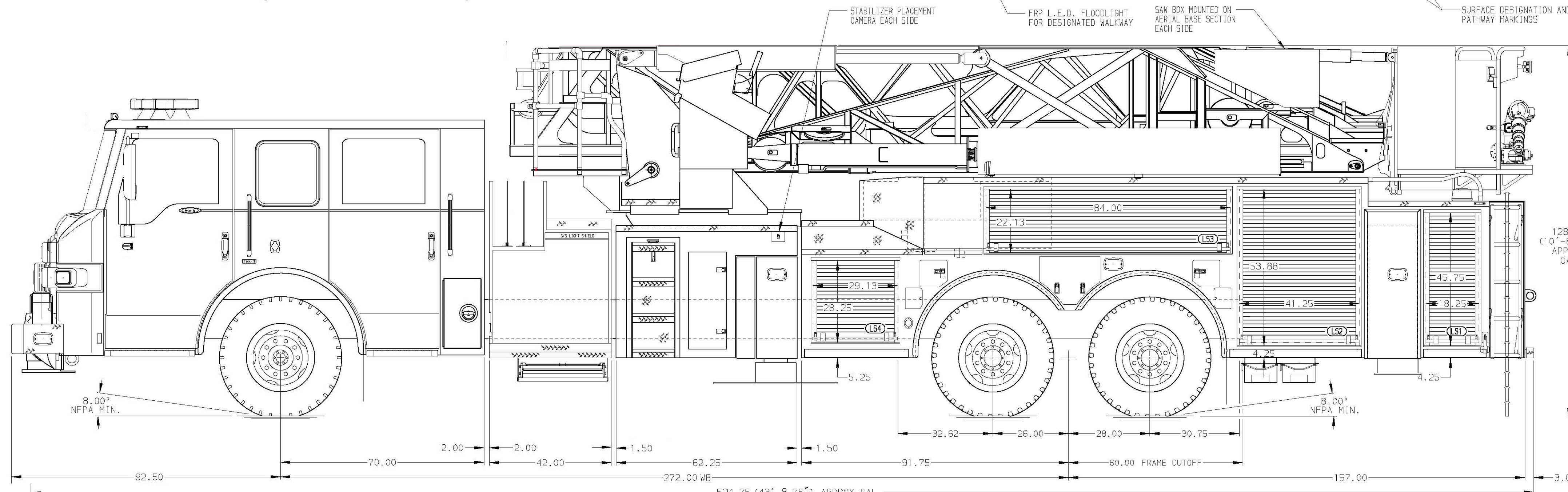


BODY 100' Ascendant Aerial Tower Alum Body COMPT, DRIVER SIDE Full Height RollUp Doors COMPT, PASSENGER SIDE Full Height RollUp Doors	WATER TANK 300 Gallon Poly Water Tank
---	---



CHASSIS Velocity Chassis (Big Block) ENGINE 525 HP DD13 Engine	CAB 7000 Velocity FR Cab BUMPER 13" Extended Painted Aluminum	AXLE, FRONT, CUSTOM 24,000 Lb TAK-4 Axle AXLE, REAR 48,000 Lb Meritor Axle	TRANSMISSION Allison 5th Gen, 4000 EVS P	PUMPHOUSE Control Zone Side Mount PUMP 2000 GPM Waterous S100	CROSSLAYS, 1.50" (2) 1.50" 200" CROSSLAYS, 2.50" 2.50" CrossLay 200"	CUSTOMER APPROVAL APPROVED BY: _____ DATE: _____		JOB NO. - SCALE 1:24 DATE
NOTE DIMENSIONS SHOWN ARE APPROXIMATE AND ARE SUBJECT TO MINOR DEVIATIONS AS MAY OCCUR OR BE NECESSARY IN CONSTRUCTION. MINOR DETAILS NOT SHOWN.		1. SHORELINE RECEPTACLE WITH KUSSMAUL SUPER AUTO-EJECT LOCATED ON DRIVER SIDE OF THE CAB 2. AIR INLET WITH DISCONNECT COUPLING IN THE DRIVER SIDE STEPWELL 3. BATTERY CHARGER LOCATED IN COMPARTMENT PER SHOP ORDER 4. BATTERY CHARGE INDICATOR LOCATED NEAR DRIVER SEAT RISER WITH BRACKET 5. ADJUSTABLE SHELVES IN COMPARTMENTS PER SHOP ORDER 6. NON-RAISED AERIAL PEDESTAL 7. 3-IN-1 LIFE/COMBO BRACKETS AT AERIAL BASKET		CHASSIS DATA MAKE PIERCE MODEL Velocity		TITLE 100' ASCENDANT AERIAL PLATFORM AND BODY ASSEMBLY 2000 GPM PUMP, 300 GALLON WATER TANK FOR SAYREVILLE FIRE DEPARTMENT SAYREVILLE, NEW JERSEY DWG NO. PRELIMINARY DRAWING	DRAWN BY EET CHECKED BY - SHEET SIZE D SHEET NO. 1 OF 1	