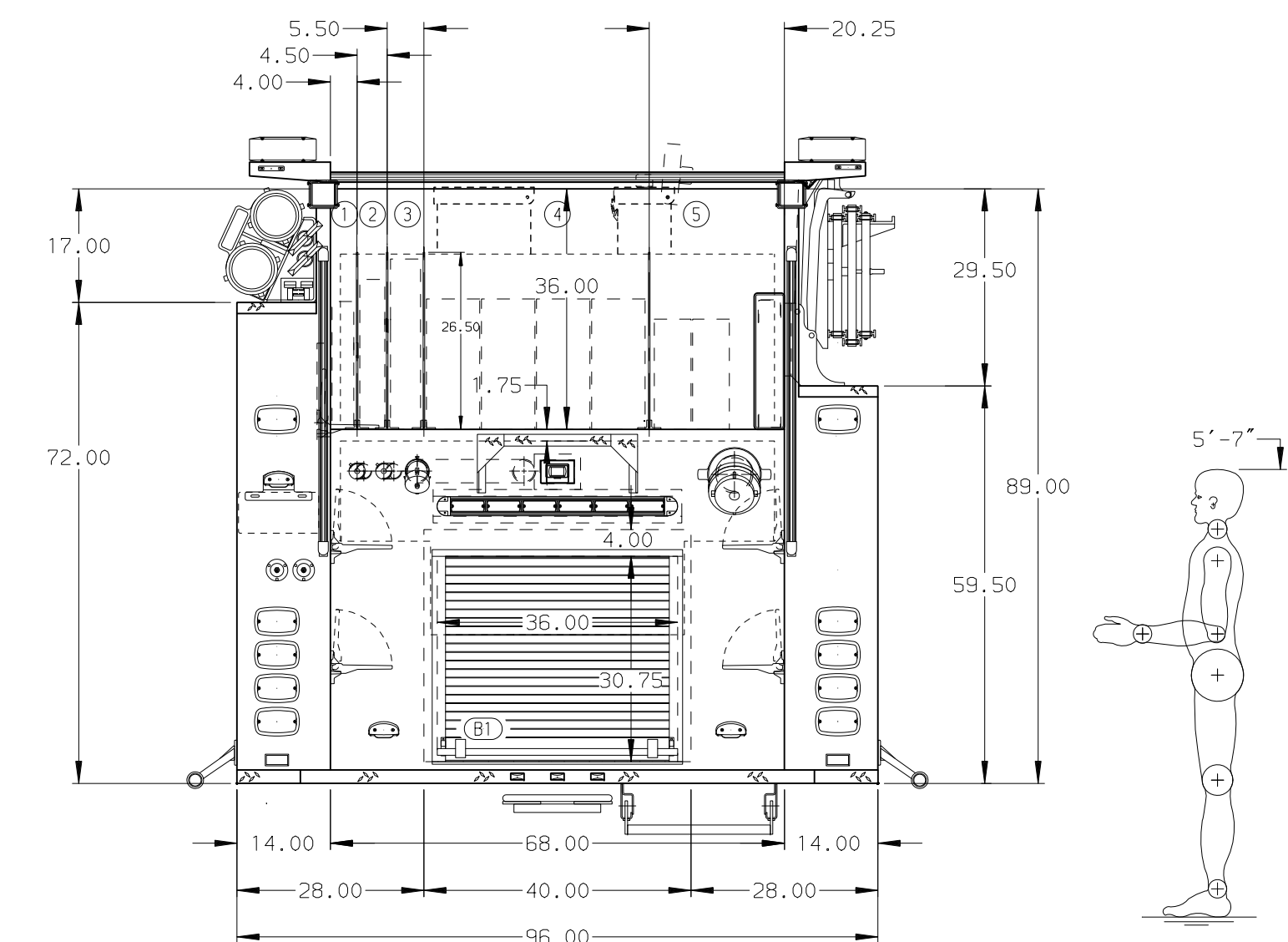
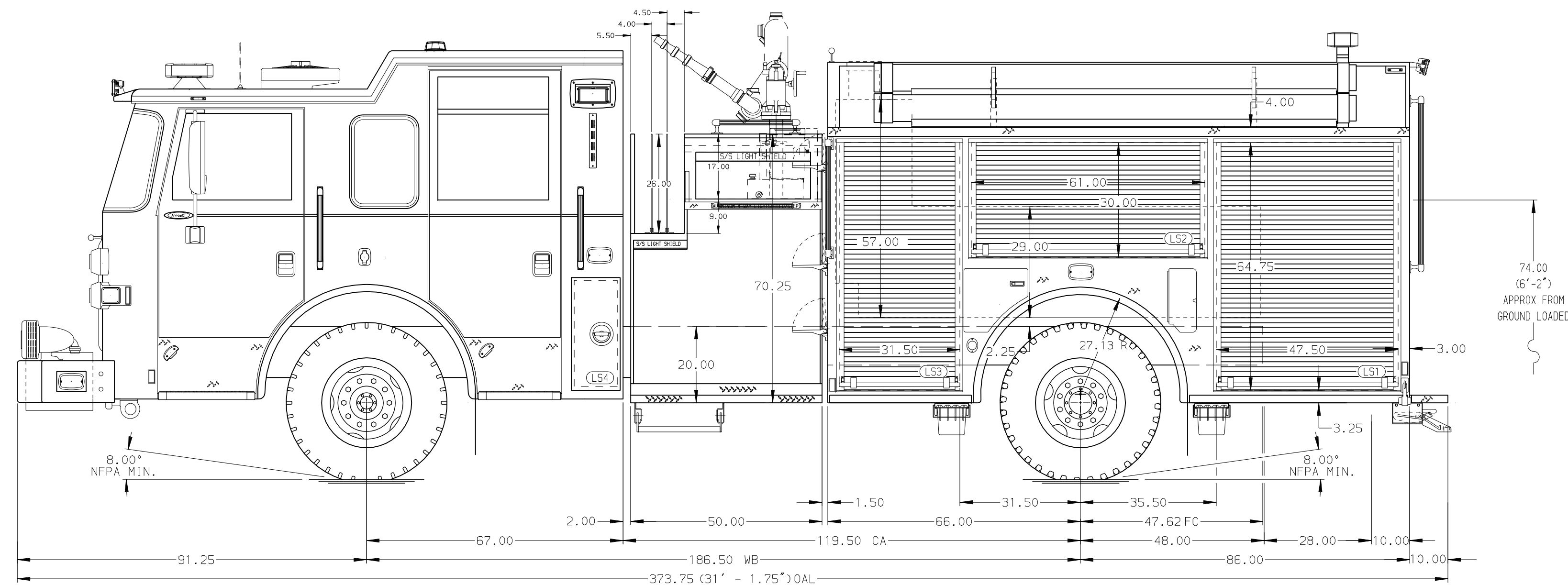


- HOSEBED CAPACITIES
- ① 250' OF 1.75" DJ POLY HOSE
  - ② 300' OF 2.00" DJ POLY HOSE
  - ③ 300' OF 2.50" DJ POLY HOSE
  - ④ 1000' OF 5.00" DJ POLY HOSE
  - ⑤ 400' OF 3.00" DJ POLY HOSE



ALUMINUM BODY      MAXIMUM O.A.L. 387.75"      MAXIMUM O.A.H. 122.00"

**NOTE**  
DIMENSIONS SHOWN ARE APPROXIMATE AND ARE SUBJECT TO MINOR DEVIATIONS AS MAY OCCUR OR BE NECESSARY IN CONSTRUCTION. MINOR DETAILS NOT SHOWN.

**CUSTOMER APPROVAL**

APPROVED BY: _____			
DATE: _____			
		CHASSIS DATA	TITLE
		MAKE	FOR
		PIERCE	MODEL
			DWG NO.
REV	DATE	BY	CH



TITLE: 2000-D-700P, 650G WATER W/50G FOAM, 152" FH DS, SPL PS (3) X-LAYS, ZICO LADDER RACK, DELUGE, BOOSTER REEL  
 MAKE: PIERCE  
 MODEL: 2000-D-700P  
 FOR: CITY OF ELIZABETH  
 FIRE & SAFETY SERVICES, LTD  
 BID#903  
 GREGG CARIDDI

JOB NO.	PRELIM
SCALE	DATE
1:24	22APR22
DRAWN BY	CHECKED BY
AMI	NPA
SHEET SIZE	SHEET NO.
D	1 OF 1

05-0419