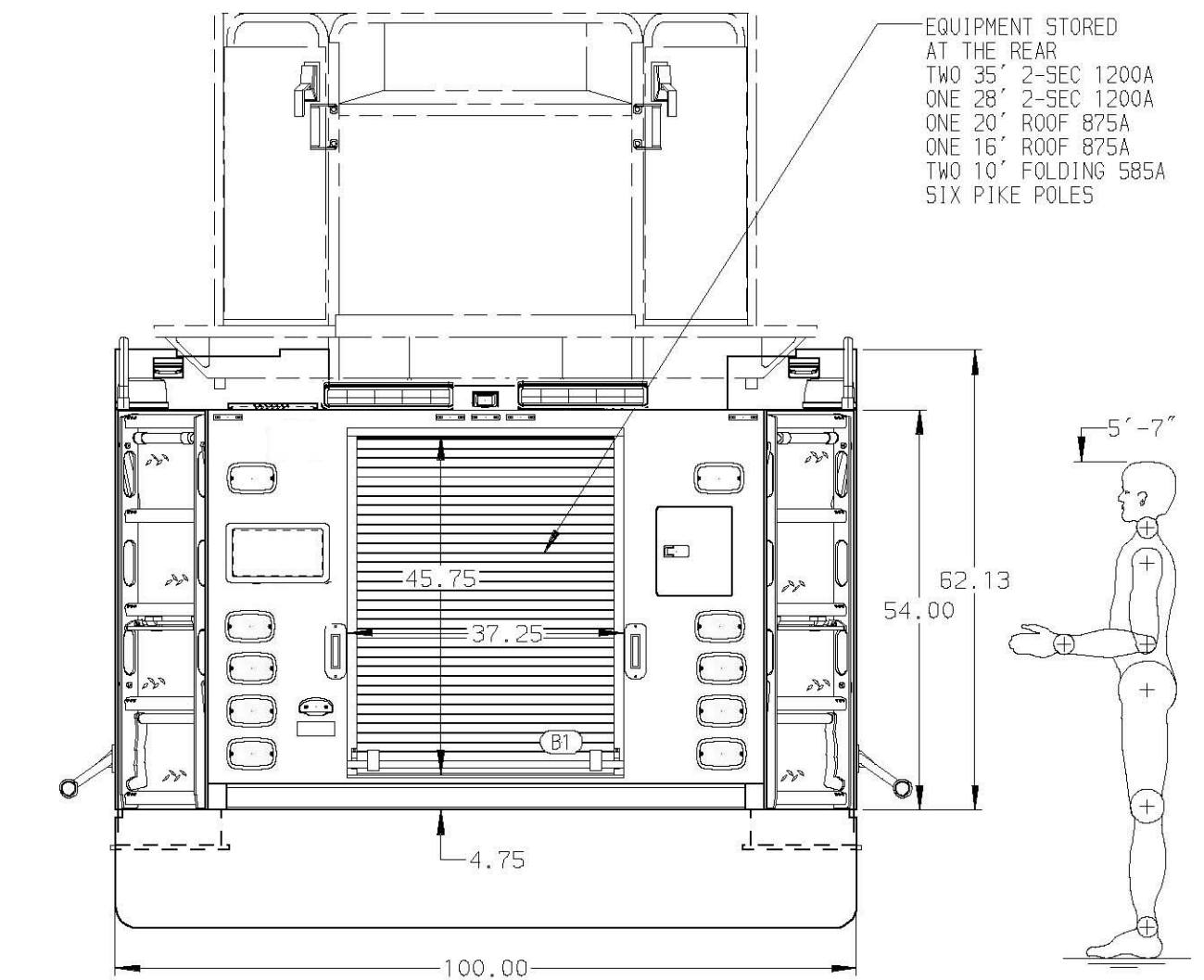
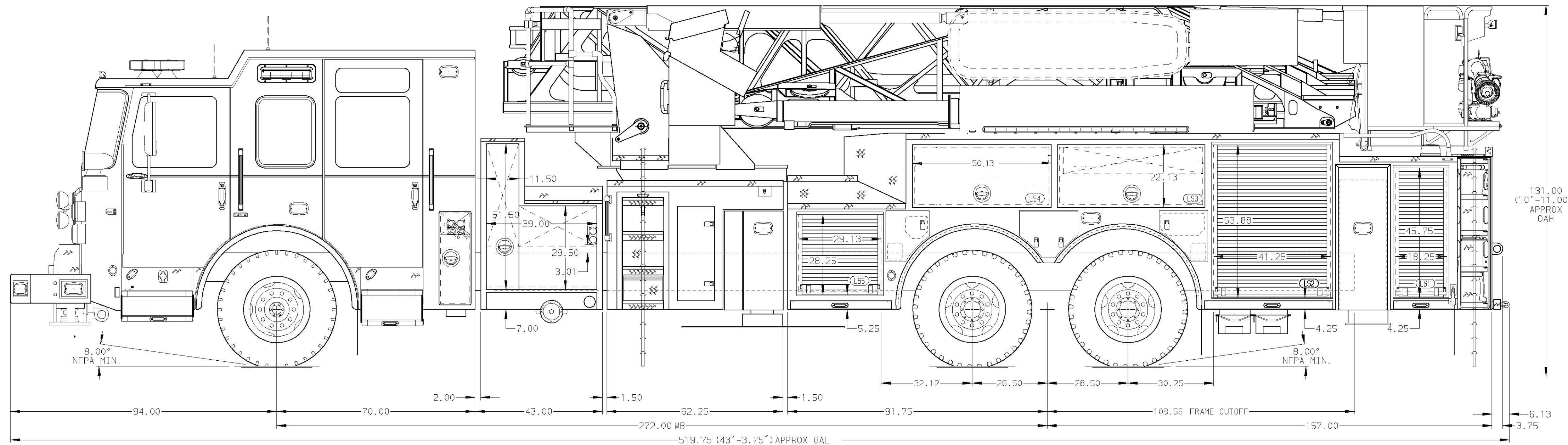
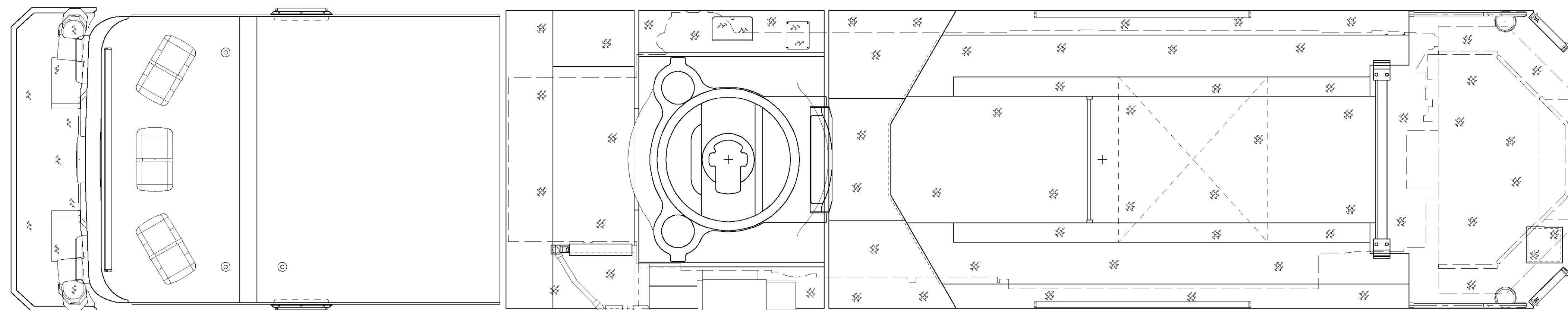


5.00" AERIAL INLET WITH STORZ ADAPTER EACH SIDE



ALUMINUM BODY SIDE ROLL PROTECTION

NOTE  
 DIMENSIONS SHOWN ARE APPROXIMATE  
 AND ARE SUBJECT TO MINOR DEVIATIONS  
 AS MAY OCCUR OR BE NECESSARY IN  
 CONSTRUCTION.  
 MINOR DETAILS NOT SHOWN.

REV	DATE	BY	CH	ENFORCER
B	06APR22	EET		
V	25MAR22	ANZ		

<b>Pierce</b> MANUFACTURING INC.		JOB NO.	PRELIM
TITLE		SCALE	DATE
100' ASCENDANT AERIAL TOWER AND BODY ASSEMBLY NO PUMP, NO TANK		1:24	
FOR		DRAWN BY	14MAR22
HADDON FIRE AND SAFETY		CHECKED BY	
ESTELOW, SCOTT		SHEET SIZE	SHEET NO.
DWC		D	1 OF 1
NO.		05-0145	