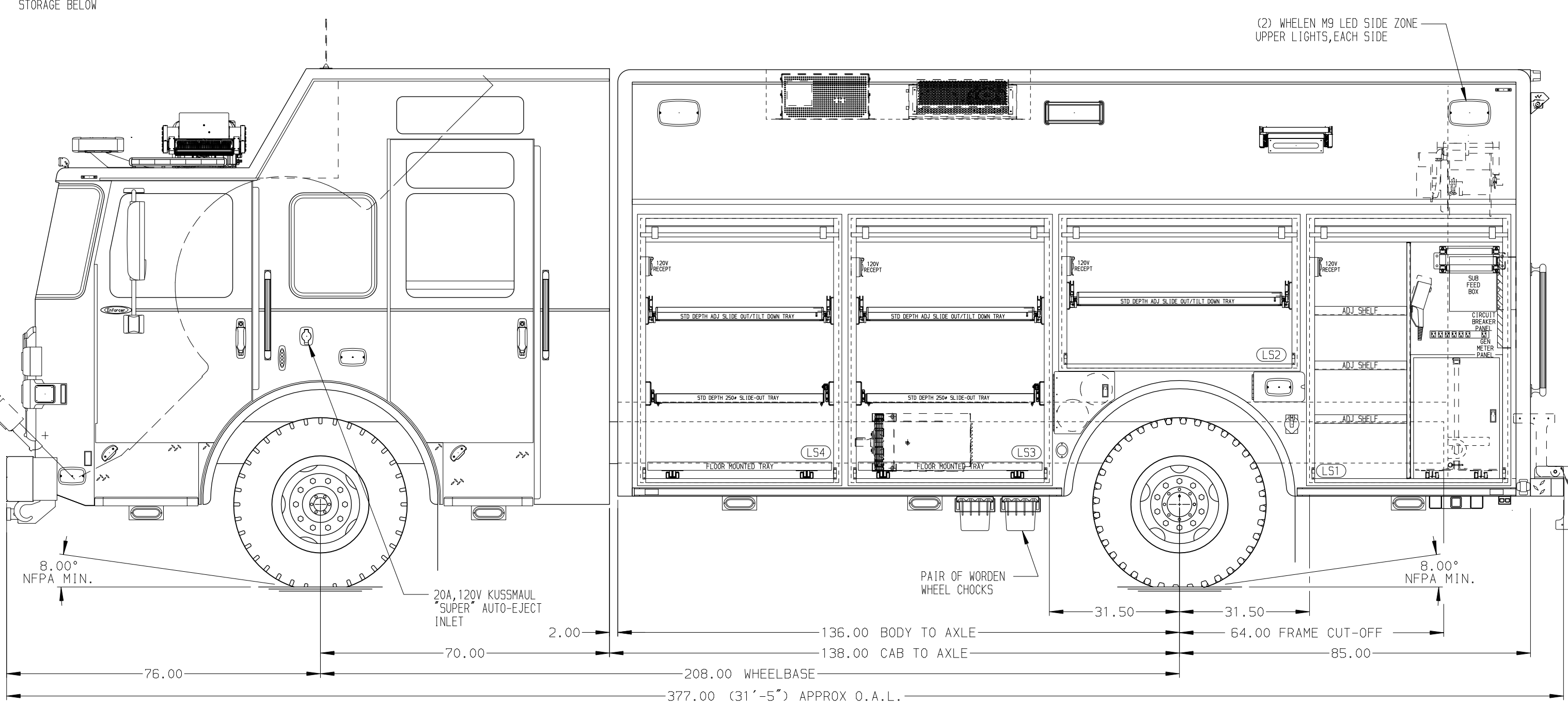
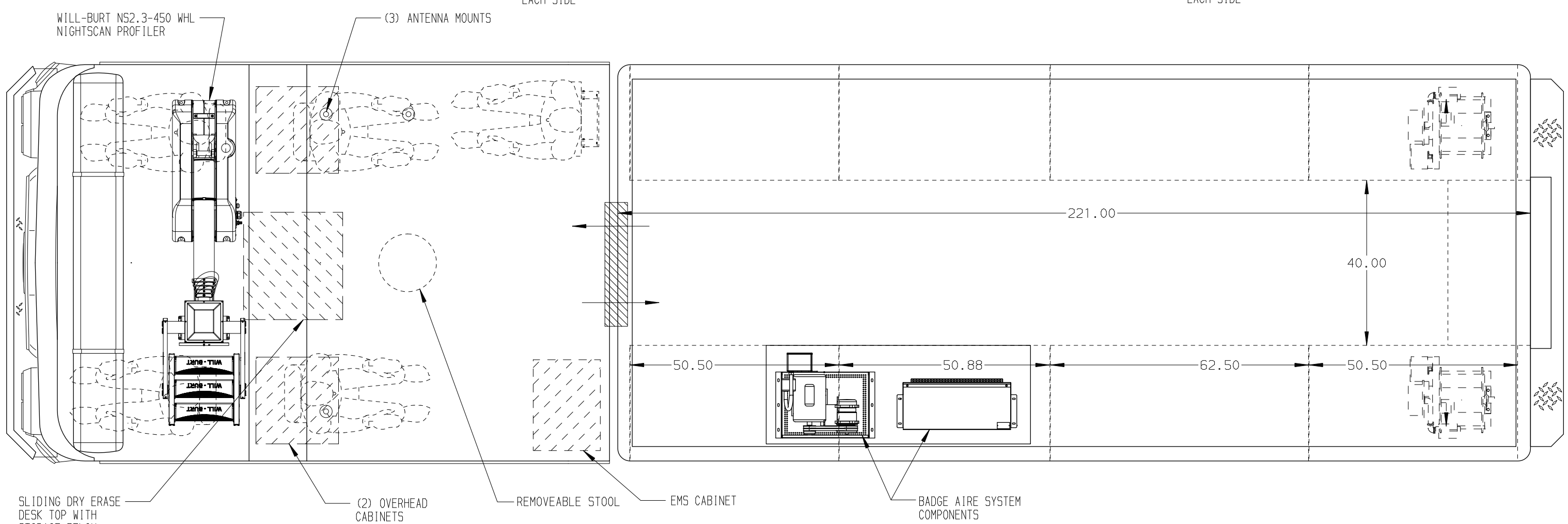
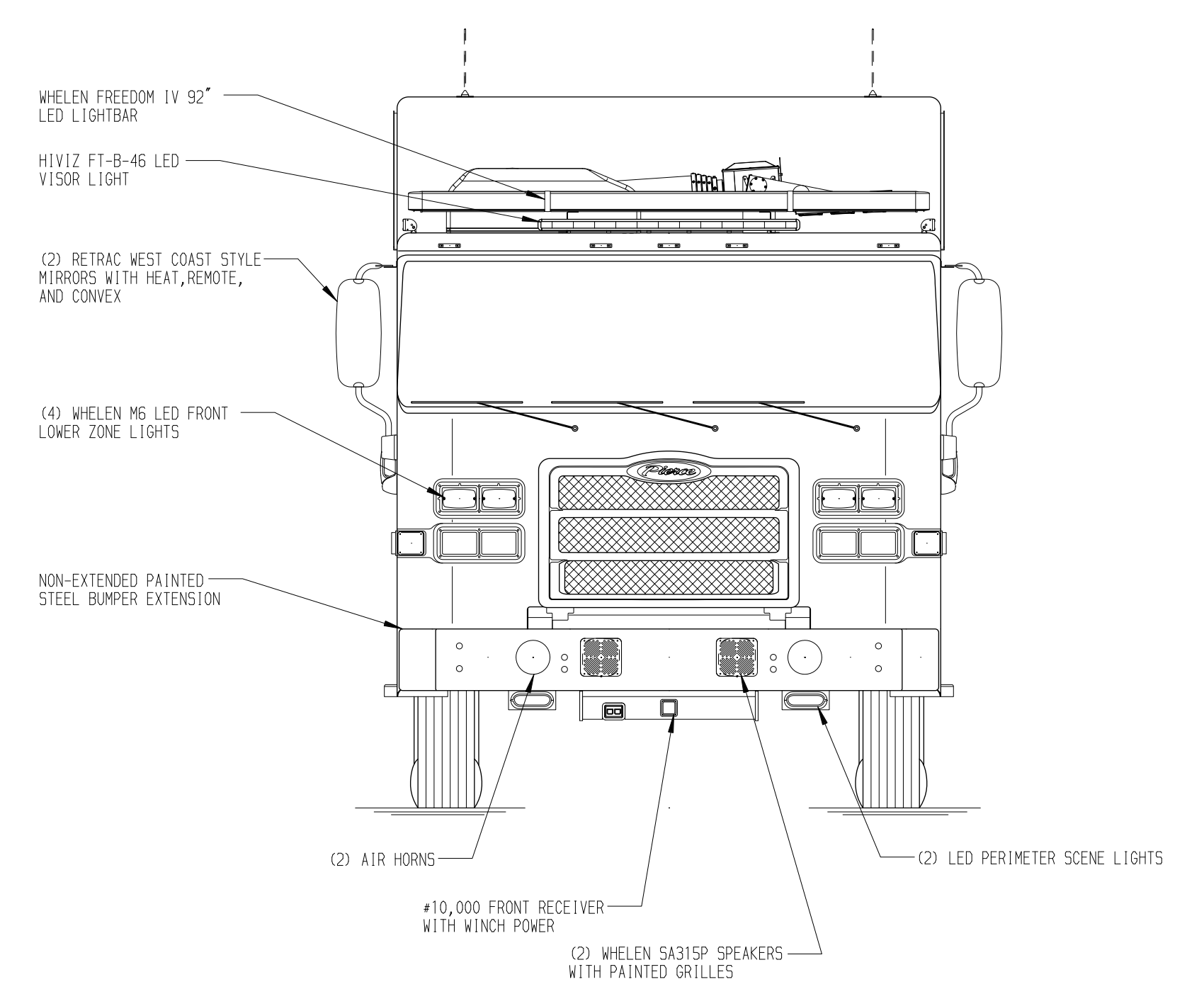
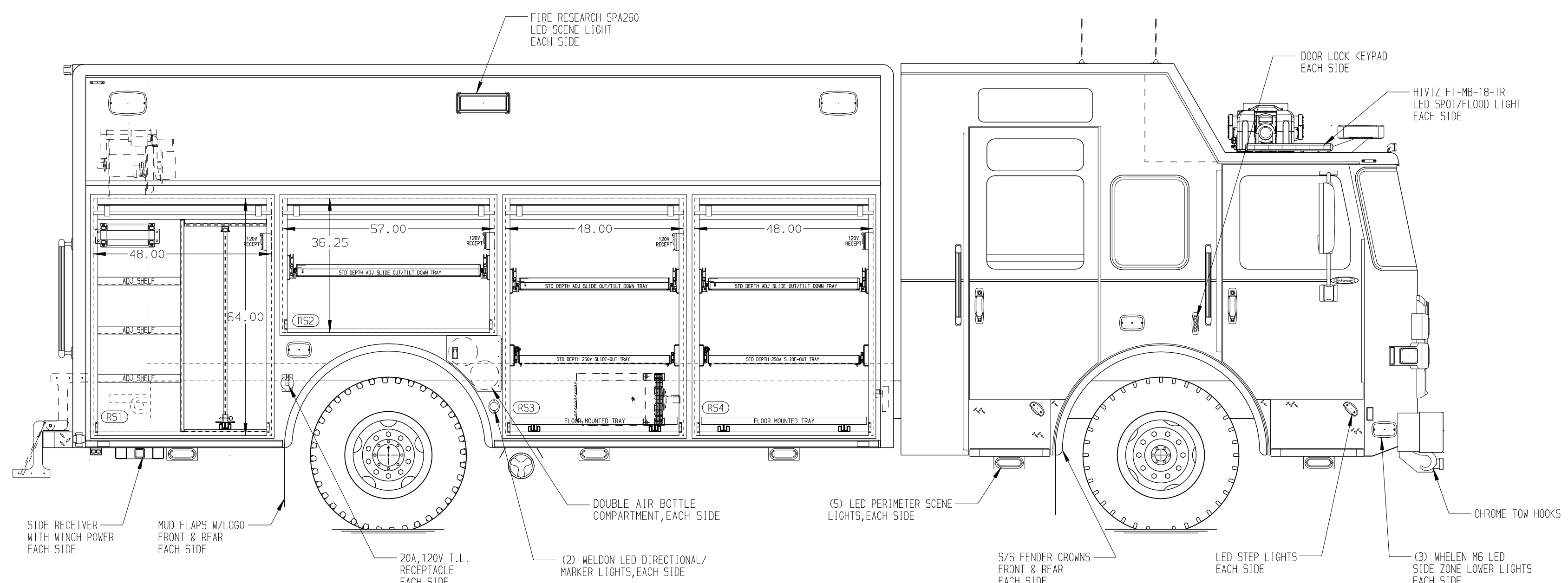
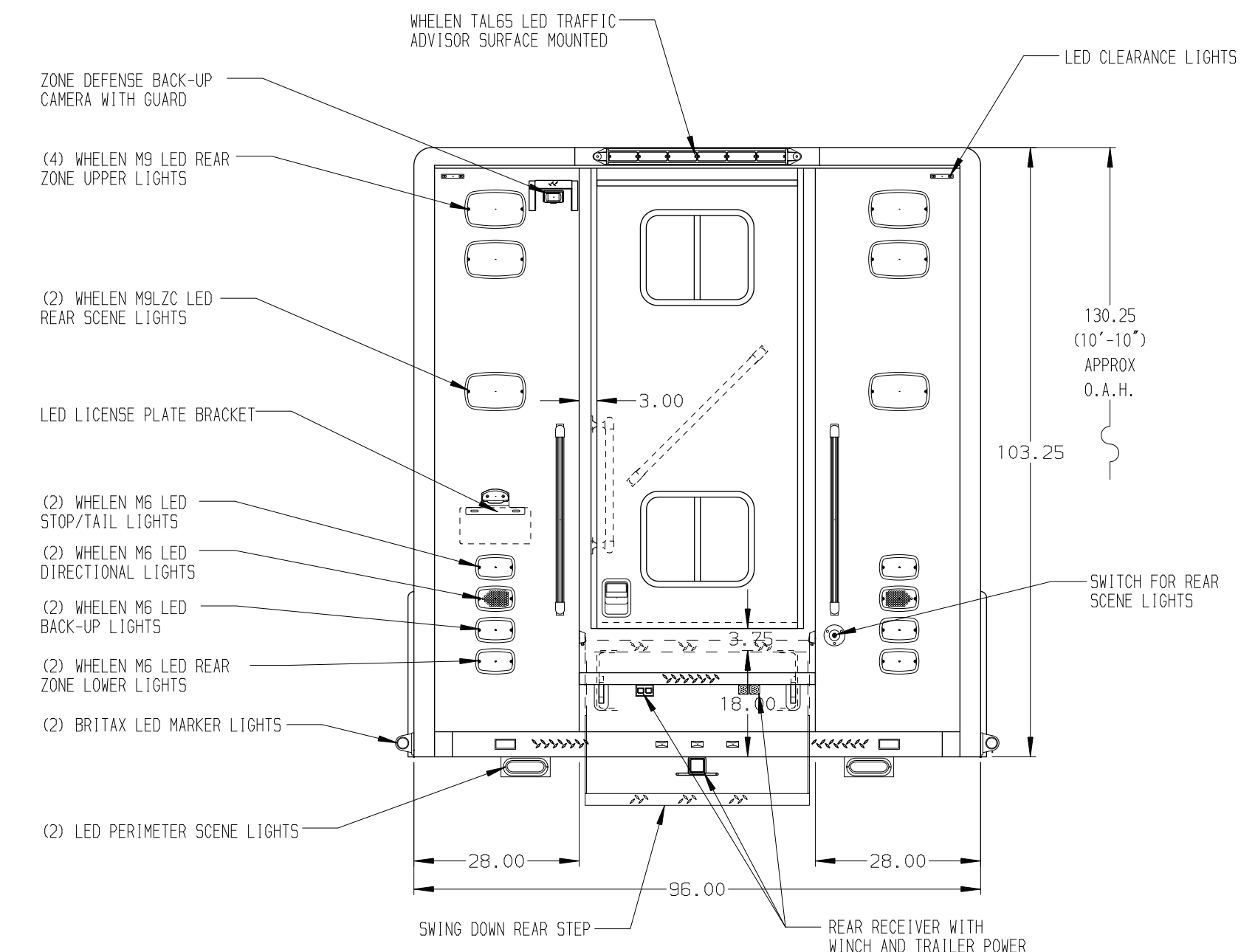


- RIGHT SIDE COMPARTMENTS CONTAIN THE FOLLOWING:**
- COMPARTMENT RS1 CONTAINS:
 - (1) VERTICAL COMPARTMENT DIVIDER
 - (3) STD DEPTH ADJ SHELVES
 - (1) STD DEPTH ADJ SLIDE OUT TOOLBOARD
 - (1) ELECTRIC CORD REEL WITH 200' OF 10/3 YELLOW CORD
 - (1) 15A, 120V DUPLEX RECEPTACLE
 - COMPARTMENT RS2 CONTAINS:
 - (1) STD DEPTH ADJ SLIDE OUT/TILT TRAY
 - (1) 15A, 120V DUPLEX RECEPTACLE
 - COMPARTMENT RS3 CONTAINS:
 - (1) STD DEPTH ADJ SLIDE OUT TRAY
 - (1) STD DEPTH ADJ SLIDE OUT/TILT TRAY
 - (1) FLOOR MOUNTED TRAY
 - (1) 15A, 120V DUPLEX RECEPTACLE
 - COMPARTMENT RS4 CONTAINS:
 - (1) STD DEPTH ADJ SLIDE OUT TRAY
 - (1) STD DEPTH ADJ SLIDE OUT/TILT TRAY
 - (1) FLOOR MOUNTED TRAY
 - (1) 15A, 120V DUPLEX RECEPTACLE



- LEFT SIDE COMPARTMENTS CONTAIN THE FOLLOWING:**
- COMPARTMENT LS1 CONTAINS:
 - (1) VERTICAL COMPARTMENT DIVIDER
 - (3) STD DEPTH ADJ SHELVES
 - (1) COMPARTMENT WITH FLAT TOP SLIDE OUT TRAY AND TOOLBOARD
 - (1) CIRCUIT BREAKER PANEL
 - (1) SUB FEED BOX
 - (1) GENERATOR METER PANEL
 - (1) NIGHT SCAN CONTROLLER
 - (1) ELECTRIC CORD REEL WITH 200' OF 10/3 YELLOW CORD
 - (1) 15A, 120V DUPLEX RECEPTACLE
 - (1) 15A, 120V 7-PLACE RECEPTACLE STRIP
 - COMPARTMENT LS2 CONTAINS:
 - (1) STD DEPTH ADJ SLIDE OUT/TILT TRAY
 - (1) 15A, 120V DUPLEX RECEPTACLE
 - COMPARTMENT LS3 CONTAINS:
 - (1) STD DEPTH ADJ SLIDE OUT TRAY
 - (1) STD DEPTH ADJ SLIDE OUT/TILT TRAY
 - (1) FLOOR MOUNTED TRAY
 - (1) 15A, 120V DUPLEX RECEPTACLE
 - COMPARTMENT LS4 CONTAINS:
 - (1) STD DEPTH ADJ SLIDE OUT TRAY
 - (1) STD DEPTH ADJ SLIDE OUT/TILT TRAY
 - (1) FLOOR MOUNTED TRAY
 - (1) 15A, 120V DUPLEX RECEPTACLE



NOTE
DIMENSIONS SHOWN ARE APPROXIMATE AND ARE SUBJECT TO MINOR DEVIATIONS AS MAY OCCUR OR BE NECESSARY IN CONSTRUCTION. MINOR DETAILS NOT SHOWN.

- NOTES:**
- POLISHED S/5 SCUFFPLATES ON CAB AND CREW CAB DOOR JAMBS
 - FLOOR IN CAB AND CREW CAB TO BE PADDED RUBBER
 - KUSSMAUL 12 HO BATTERY CHARGER LOCATED BEHIND DRIVER'S SEAT
 - BATTERY CHARGE INDICATOR LOCATED ON DRIVER'S SEAT RISER
 - S 1" SHAPED GUARDS ON ALL BODY ROLL-UP DOORS
 - PULL STRAPS ON ALL BODY ROLL-UP DOORS
 - PIERCE LED STRIP LIGHTS IN ALL BODY COMPARTMENTS
 - RUBBER GRATING ON ALL COMPARTMENT SHELVES AND TRAYS
 - ONAN 15KW SINGLE PHASE PTO DRIVEN GENERATOR WITH SPLASH GUARD LOCATED BETWEEN THE FRAME RAILS
 - SLIDING POCKET DOOR ON BACK WALL OF CAB FOR CAB TO BODY WALK-THRU

| CLEAR DOOR WIDTH KEY | | REV | DATE | BY | CH | CHASSIS DATA |
|--|---------|---------|------|-----|--------|--------------|
| AMDR ROLL UP DOORS: | -2 1/4" | | | | | |
| CURTILE ROLL UP DOORS: | -2 1/2" | | | | | |
| PIERCE DOUBLE LAP DOORS: | -4 1/4" | 26APR22 | SHD | AZU | MAKE | |
| PIERCE LIFT-UP LAP DOORS: | -1 1/2" | 21FEB22 | DHE | CDK | PIERCE | |
| (EX: 60" F-F - 2 1/4" = 57 3/4" CLEAR) (F-F) = FRAME TO FRAME | | 22NOV21 | DHE | CDK | MODEL | |
| | | | | | | EN7024 |

| | | | |
|---------|------------------------------|------------|-------------|
| | | JOB NO. | 36809 |
| | | SCALE | DATE |
| TITLE | HEAVY DUTY RESCUE WALKIN | DRAWN BY | DHE 09NOV21 |
| FOR | NEW JERSEY TRANSIT BID # 736 | CHECKED BY | CDK 11NOV21 |
| DWG NO. | 36809AD-SH1 | SHEET SIZE | SHEET NO. |
| | | | D 1 OF 1 |