

B.R.A.T.[®]
BRUSH RAPID ATTACK TRUCK



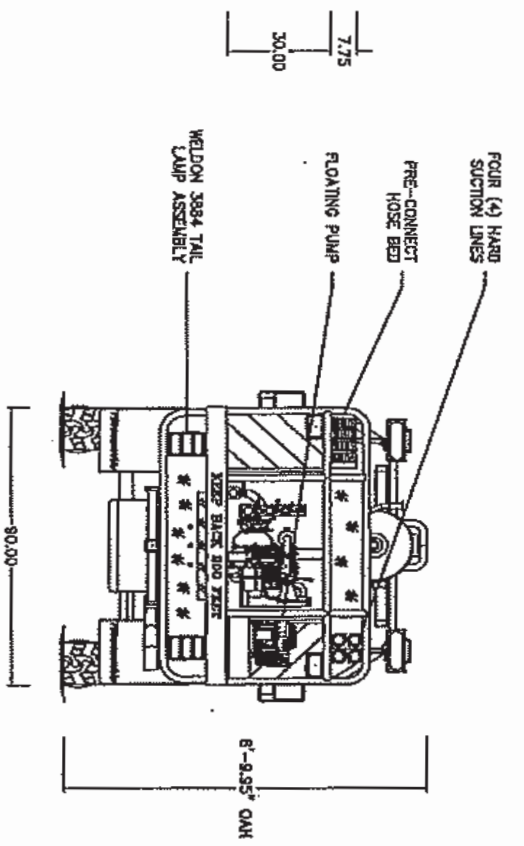
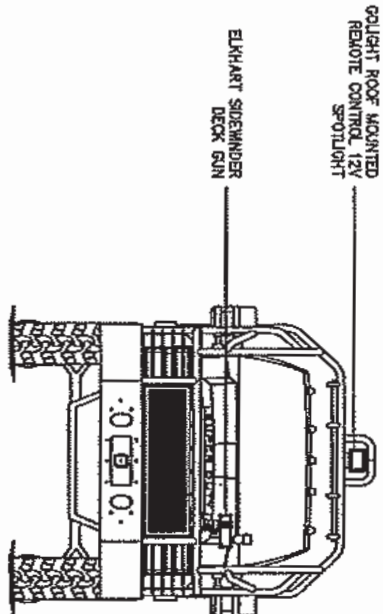
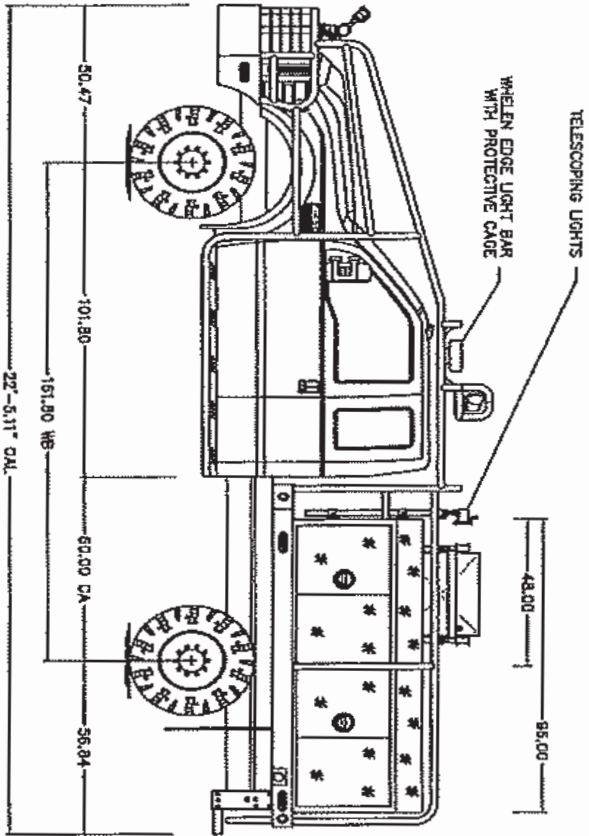
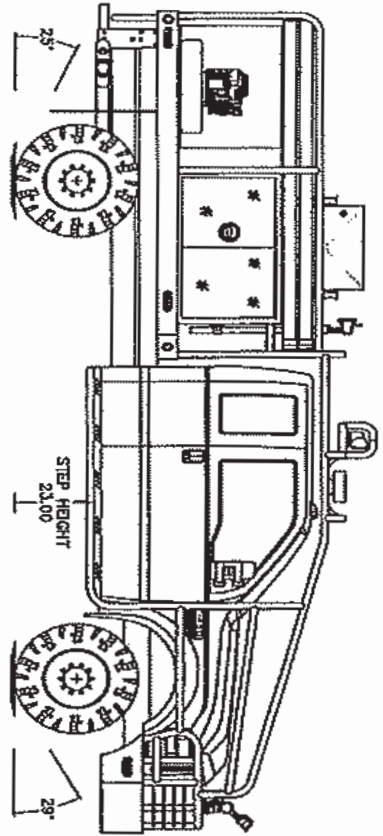
Firematic Ford F-550 4x4 Rally BRAT
Mahwah Township
Job #B11073MAH

FEATURES & SPECIFICATIONS

- Ford F-550 Super Cab 4x4 2-Door Chassis
- Ford PowerStroke Diesel Engine
- Firematic Alum. Deck Plate with Diamondplate Compt.
- Hale HPX200 500 GPM PTO Pump
- 300 Gallons ProPoly Water Tank
- Rear 1.5" hose trays & Hose Reel with 200' of 1" Lightweight Hose
- Front Mounted Elkhart Sidewinder Remote Controlled Gun
- Delivered August 2011



FIRE & SAFETY SERVICES, LTD.
South Plainfield, NJ
web: www.f-ss.com · phone: 800-400-8017



NOTE:
 THIS DRAWING IS CONCEPTUAL AND IS NOT AN EXACT REPRESENTATION OF THE TRUCK MODEL. DIMENSIONS SHOWN ARE APPROXIMATE AND ARE SUBJECT TO REVISION AS MAY OCCUR OR BE NECESSARY DURING CONSTRUCTION.
 SEE DETAIL NOT SHOWN.

300 GALLON POLY-TANK
 HALE HPX200-BD26 PUMP
 SUPER SINGLE IROK TIRE PACKAGE

REVISION NOTES	
A	ORIGINAL

Firematic MANUFACTURING	
TITLE	RALLY BRAT WILDLAND PUMPER
FOR	MAHWAH FIRE DEPARTMENT MAHWAH, NEW JERSEY
JOB NO.	2016
DATE	OCT 16, 2009
DRAWN BY	G. BISHOP
APPROVED BY	S. HORTON
SHEET NO.	1 / 1