



Pierce Enforcer 107' PUC Ascendant Ladder
Stafford Township
Job #35555

FEATURES & SPECIFICATIONS

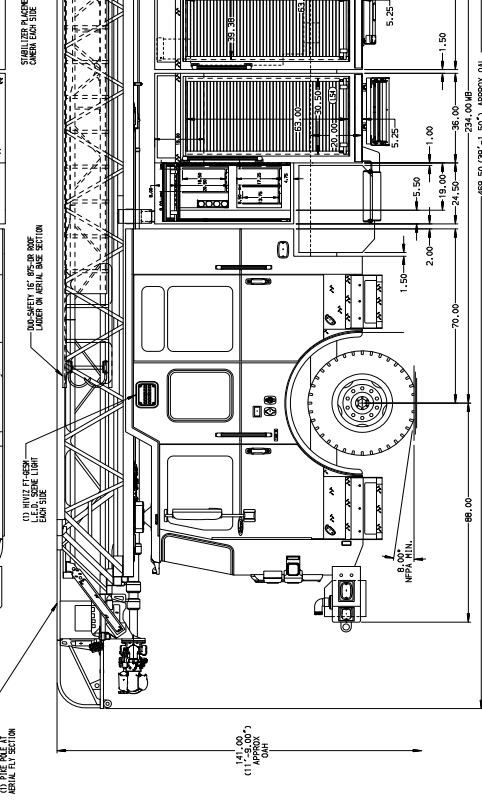
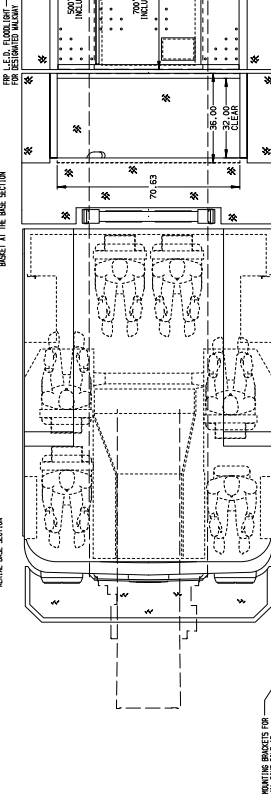
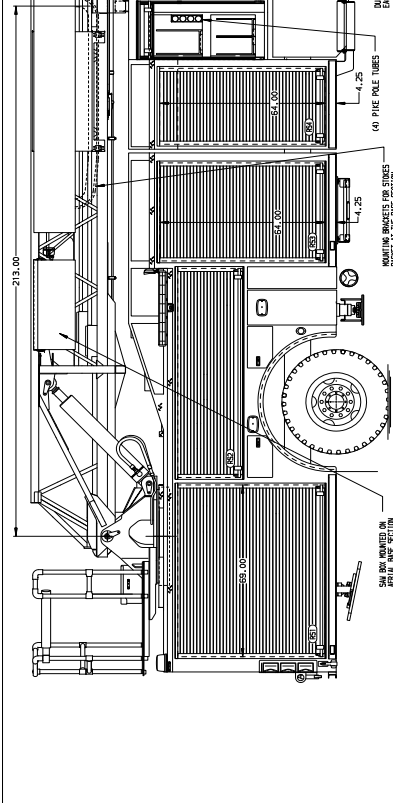
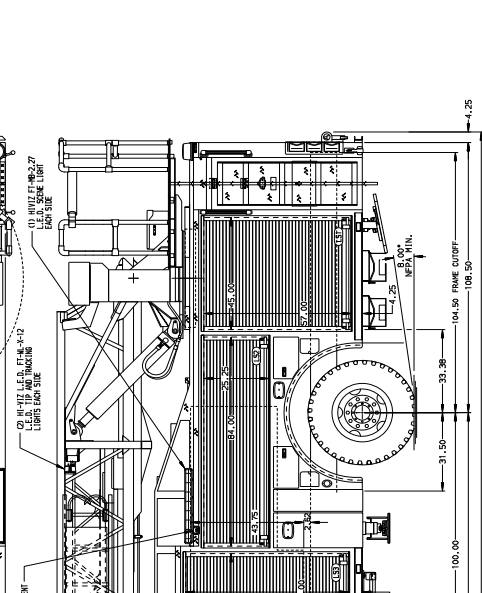
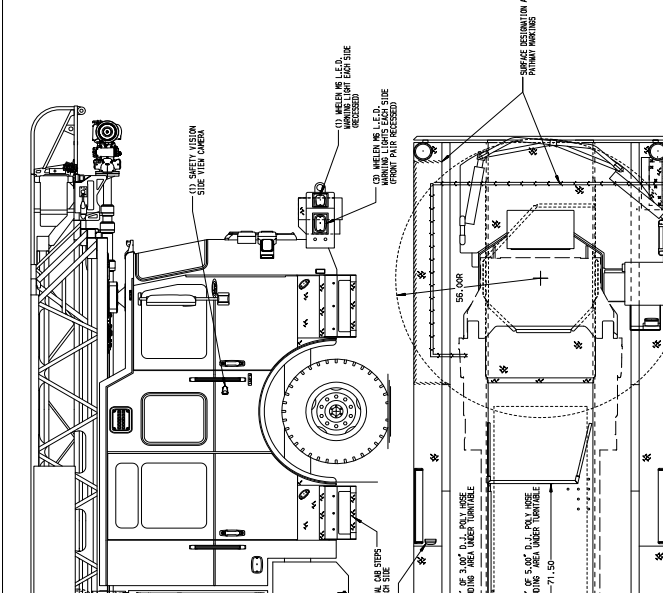
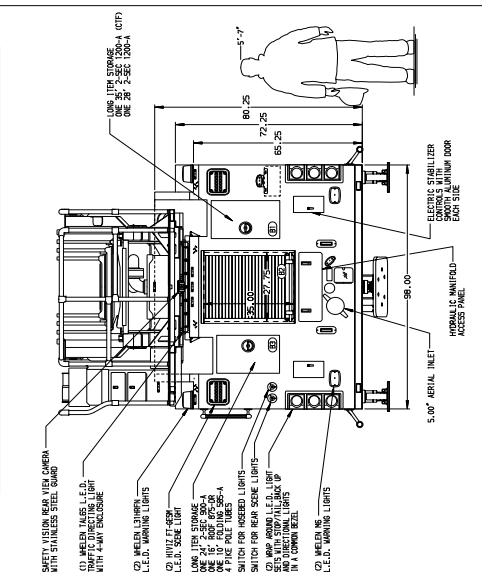
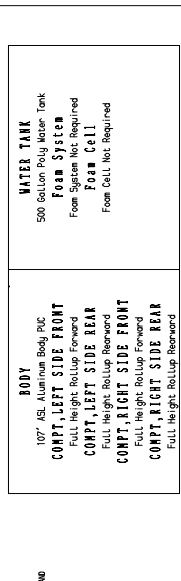
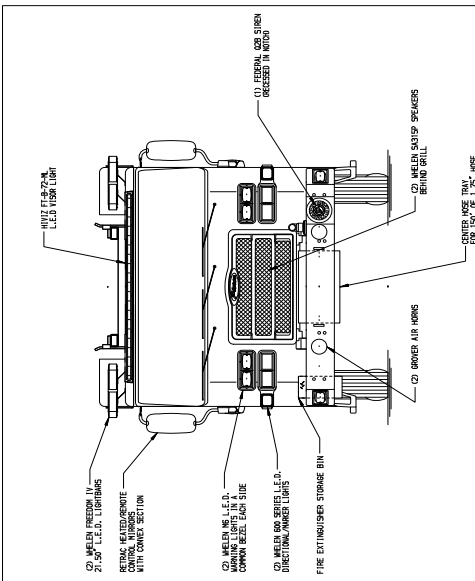
- Pierce Enforcer 70" Chassis with a 10" Raised Roof
- Cummins L9 450hp 2021 EPA compliant Engine
- Allison EVS30000P Automatic Transmission
- TAK-4 Independent Front Suspension
- Pierce PUC 1500 GPM Single Stage Pump
- 500 Gallon Poly Water Tank
- Delivered in July 2021



FIRE & SAFETY SERVICES, LTD.

South Plainfield, NJ

web: www.f-ss.com · phone: 800-400-8017



JOB NO. 35555
SCALE 1:24
DATE 15SEP20
DRAWN BY TKA
CHECKED BY CRI
SHEET NO. 1 OF 1

MANUFACTURING INC.
107' ASCENDANT AERIAL LADDER AND BODY ASSEMBLY
TOWNSHIP OF STAFFORD FOR MANAHKIN, NEW JERSEY
DWG. NO. 35555AD
ENFORCER NO.

CHASSIS DATA	PUMP	GENERATOR	CROSSSLAYS	SAFETY
450 HP Cummins I3 Engine	1500 GPM Pierce PUC	SpeedGrade Not Required	1.50" Full Width Tri-200" Crossslays	Side Rail and Frontal Impact Protection

CHASSIS DATA	PUMP	GENERATOR	CROSSSLAYS	SAFETY
450 HP Cummins I3 Engine	1500 GPM Pierce PUC	SpeedGrade Not Required	1.50" Full Width Tri-200" Crossslays	Side Rail and Frontal Impact Protection
ENFORCER NO.	ENFORCER NO.	ENFORCER NO.	ENFORCER NO.	ENFORCER NO.

NOTE:
DIMENSIONS SHOWN ARE APPROXIMATE AND ARE SUBJECT TO MINOR DEVIATIONS AS MAY OCCUR OR BE NECESSARY IN CONSTRUCTION.
MINOR DETAILS NOT SHOWN.

MAXIMUM OVERALL LENGTH = 473.00 (39'-5")