



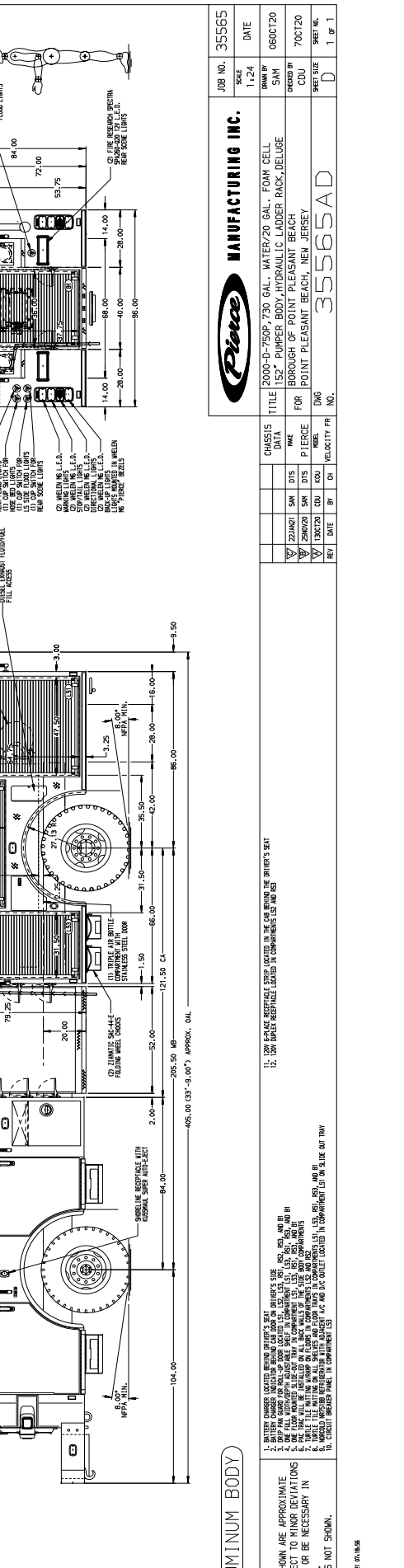
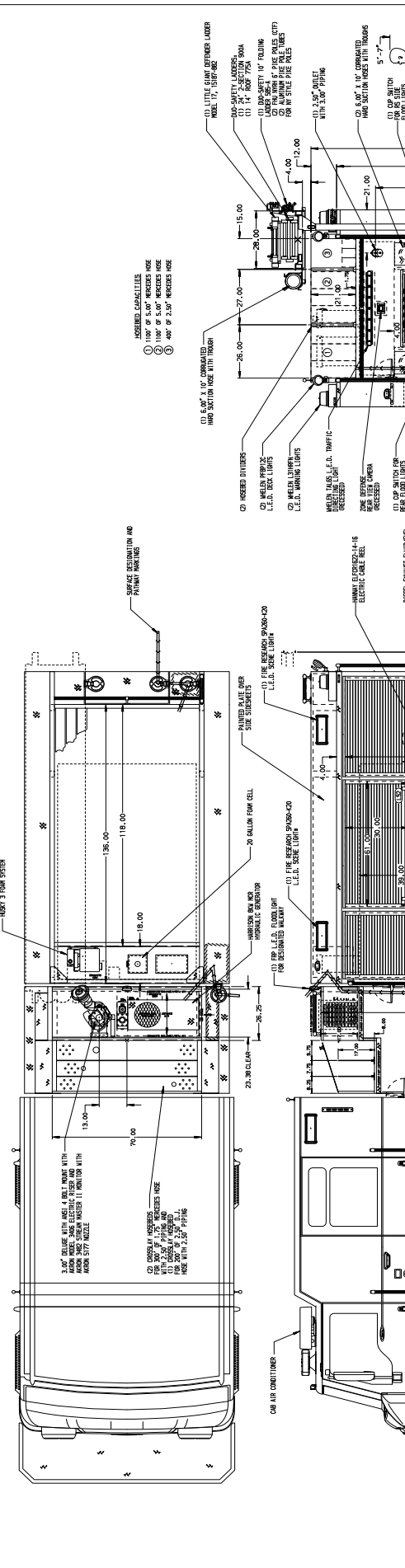
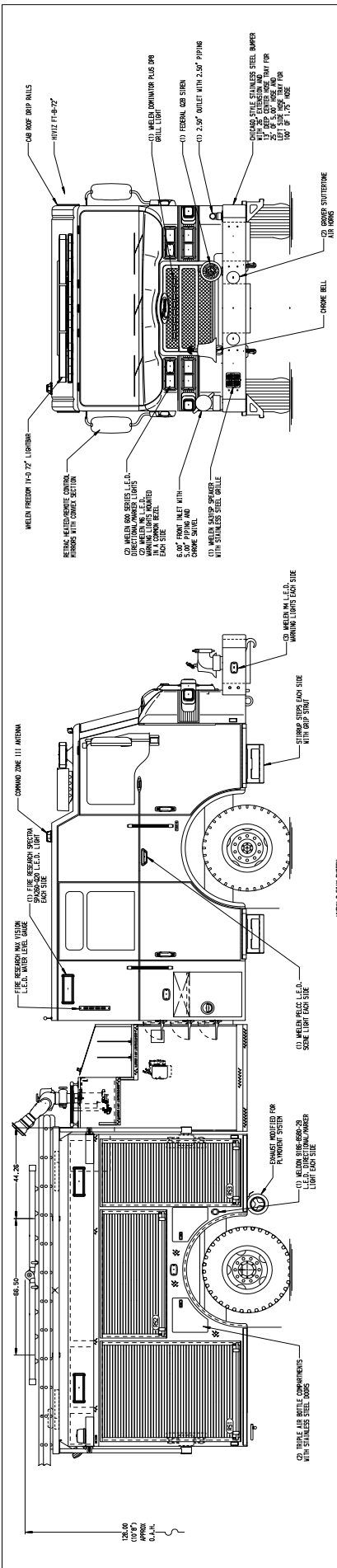
Pierce Velocity Pumper
Borough of Point Pleasant Beach
Job #35565

FEATURES & SPECIFICATIONS

- Pierce Velocity 84" Chassis with a 10" Raised Roof
- Detroit Diesel DD13 505hp 2016 EPA compliant Engine
- Allison EVS4500P Automatic Transmission
- TAK-4 Independent Front Suspension
- Waterous CMU 2000 GPM Two Stage Pump
- Husky 3 Single Agent Foam System
- 750 Gallon Poly Water Tank
- Harrison MCR 8kw Hydraulic Generator
- Delivered in June 2021



FIRE & SAFETY SERVICES, LTD.
South Plainfield, NJ
web: www.f-ss.com · phone: 800-400-8017



Pierce MANUFACTURING INC.

JOB NO. 35565
 SCALE 1:24
 DATE 06/01/20
 DRAWN BY DDM
 CHECKED BY COU
 FOR POINT PLEASANT BEACH, NEW JERSEY
 SHEET NO. 1 OF 1

CHASSIS DATA
 TITLE 2000-D-750P-730 GALL. WATER/20 GALL. FOAM CELL
 152' PUMPER BODY-HYDRAULIC LADDER RACK-DELUGE
 FOR POINT PLEASANT BEACH, NEW JERSEY

REV. DATE BY CH. VELOCITY PR. NO.

NOTE: DIMENSIONS SHOWN ARE APPROXIMATE AND ARE SUBJECT TO MINOR DEVIATIONS AS MAY OCCUR OR BE NECESSARY IN CONSTRUCTION. MINOR DETAILS NOT SHOWN.

1. BATTERY COMPARTMENT LOCATED IN REAR OF BODY.
 2. 3.0\"/>

ALUMINUM BODY