



**Stonewell Bodies Light Rescue**  
Lakewood Fire District #1  
Job #LR2200-LR-28

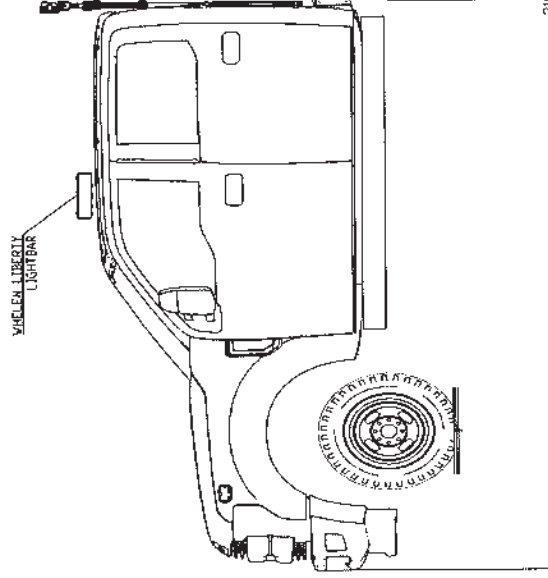
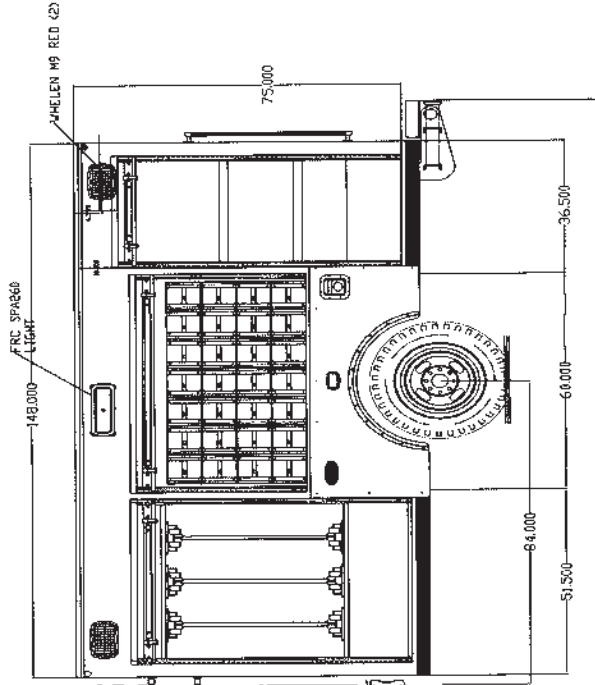
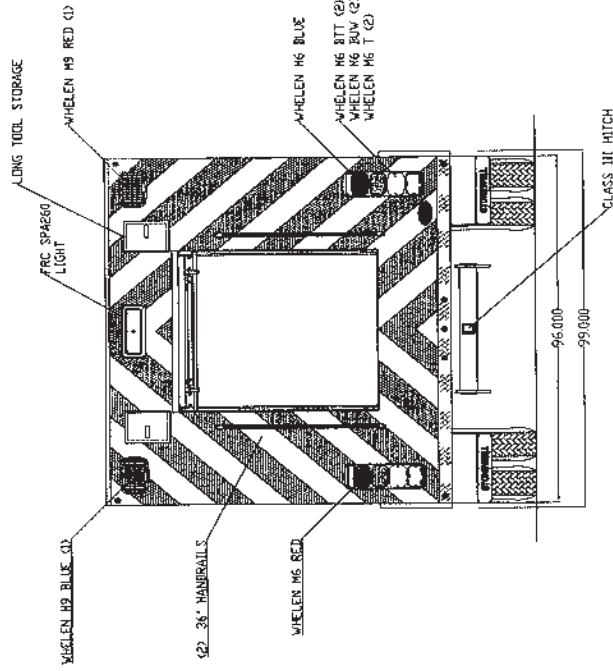
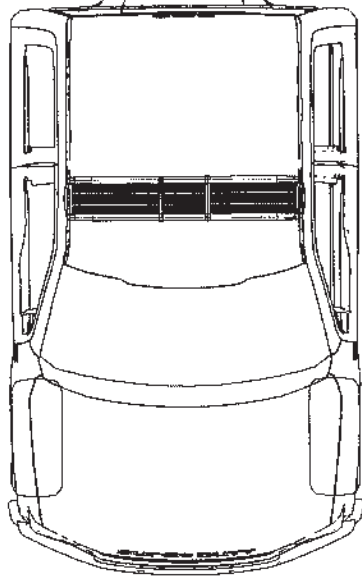
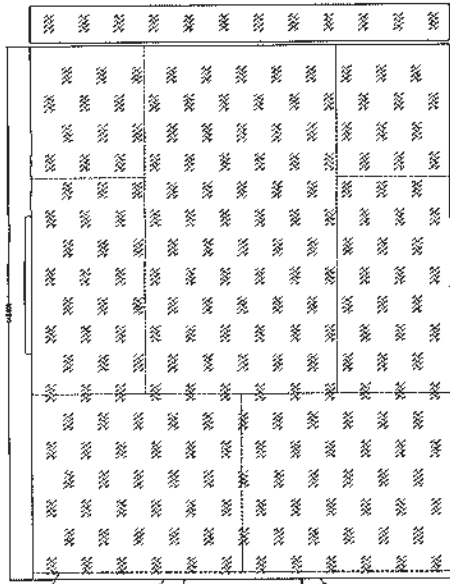
**FEATURES & SPECIFICATIONS**

- Ford F550 4x4 4-Door Chassis
- Powerstroke 7.3L Engine
- 10-Speed Automatic Transmission
- 12' Light Rescue Body
- Fifty-six (56) SCBA bottle Storage in two racks.
- Delivered May 2021




***FIRE & SAFETY SERVICES, LTD.***  
South Plainfield, NJ  
web: [www.f-ss.com](http://www.f-ss.com) · phone: 800-400-8017

EDP SKINNED WITH 1874 DIAMOND PLATE



319.684



quality • dependability • service

625 BILLS RD. GERMANTOWN, NY 13061 P 315-497-5822 F 315-497-5582

**LAKEWOOD FD**

DATE: 05/22/19 REVISION DATE: NA REV. LEVEL: RA  
DESIGNER: WJW/SB SHEET 1 OF 1 DWG. NO: 0009-01

CHASSIS MAKE AND MODEL	
2019 FORD F550	
SR: 2037	CA: B4
EA: XX	PA: XX
BODY DIMENSIONS	
LENGTH: 148'	
HEIGHT: 77'	
WHEELS: 36"	
DOORS: 2 (2) AL. SKIRTS: ALUM.	
TRUCK NO: NA	
TYPE: BODY	
MODEL: RESCUE	

ENGINEERING DESIGNS SHOWN  
ON THIS DRAWING ARE  
THE PROPERTY OF  
**STONEWELL BODIES**

AND CANNOT BE DUPLICATED  
WITHOUT OUR WRITTEN PERMISSION

ALL DIMENSIONS SHOWN ARE  
SUPPORTED BY ENGINEERING  
CHANGES DURING PROCESS.

DESCRIPTION	DATE	BY

COMPARTMENT SIZE	DOOR OPENING
L1 51.5'W x 77'H x 26'D	45'W x 63'H
L2 60'W x 53'H x 26'D	60'W x 39'H
L3 36.5'W x 75'H x 26'D	30'W x 61'H
R1 51.5'W x 77'H x 26'D	45'W x 63'H
R2 60'W x 53'H x 26'D	60'W x 39'H
R3 36.5'W x 75'H x 26'D	30'W x 61'H
B1 44'W x 62.5'H x 96.5'D	44'W x 45.5'H