



Pierce Arrow XT Pumper
Union Township
Job #33791

FEATURES & SPECIFICATIONS

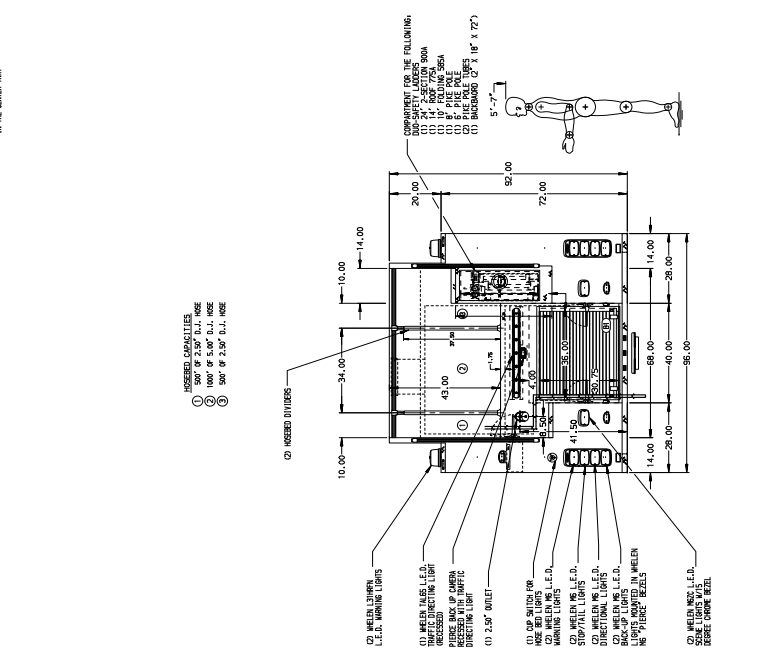
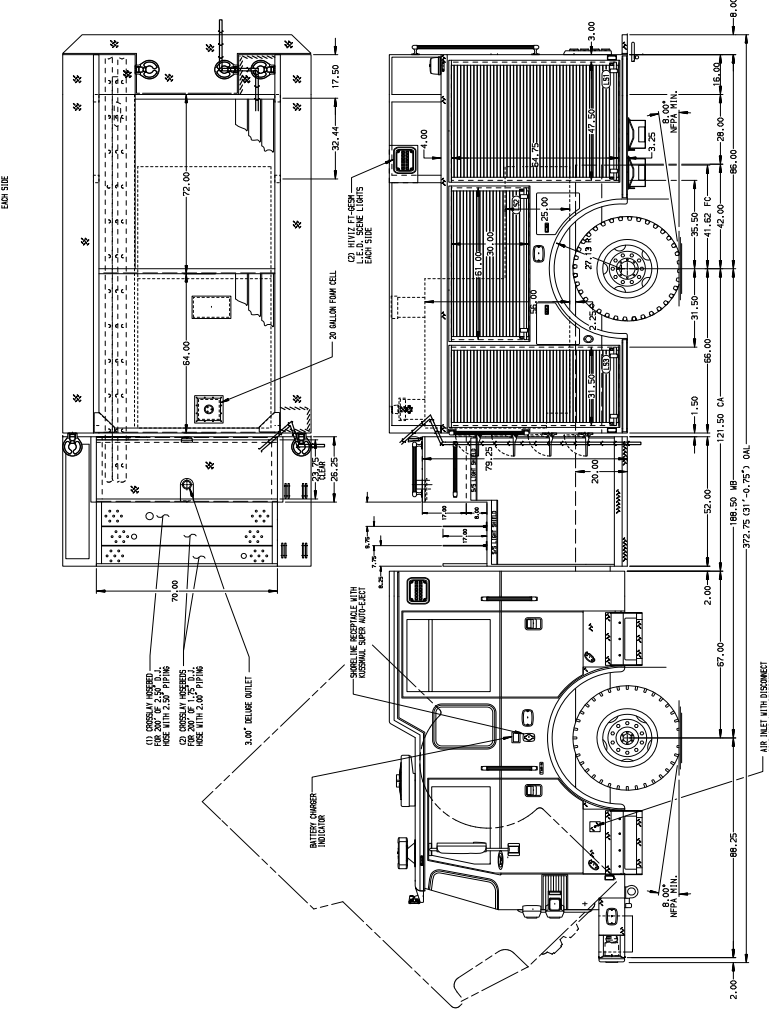
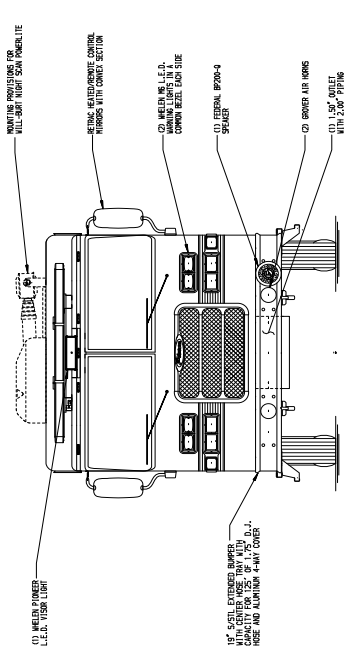
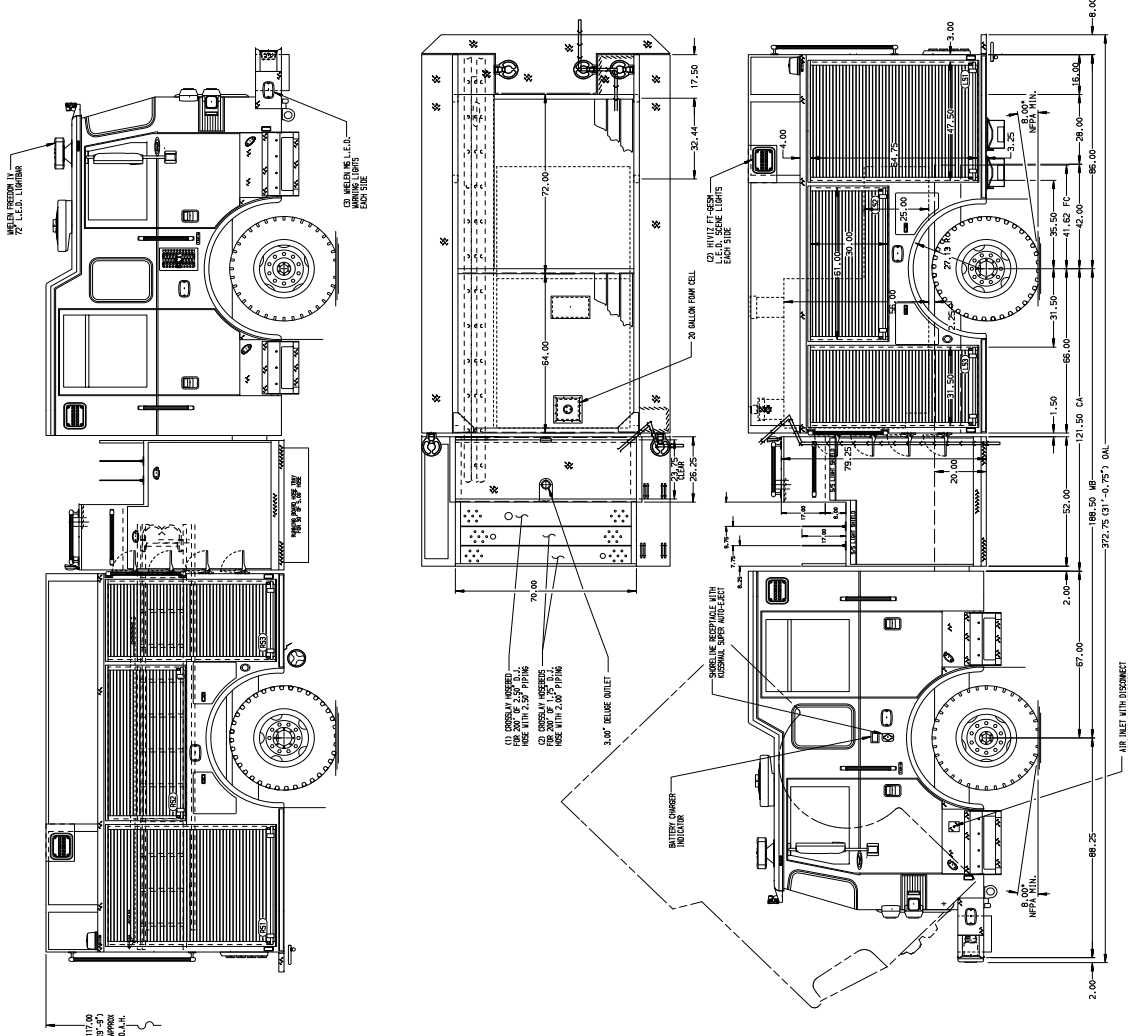
- Pierce Arrow XT 67" Chassis with a 10" Raised Roof
- Cummins L9 450hp 2017 EPA compliant Engine
- Allison EVS3000P Automatic Transmission
- TAK-4 Independent Front Suspension
- Waterous CSU 1500 GPM Single Stage Pump
- 750 Gallon Poly "New York Style" Water Tank
- Husky 12 Single Agent Foam System
- Delivered in April 2021



FIRE & SAFETY SERVICES, LTD.

South Plainfield, NJ

web: www.f-ss.com · phone: 800-400-8017



ALUMINUM BODY

NOTE
 DIMENSIONS SHOWN ARE APPROXIMATE
 AND ARE SUBJECT TO MINOR DEVIATIONS
 AS MAY OCCUR OR BE NECESSARY IN
 CONSTRUCTION.
 MINOR DETAILS NOT SHOWN.

1. BATTERY CHARGER MOUNTED ON
2. BATTERY CHARGER MOUNTED ON
3. BATTERY CHARGER MOUNTED ON
4. BATTERY CHARGER MOUNTED ON
5. BATTERY CHARGER MOUNTED ON

JOB NO. 33791		SCALE 1:24	DATE
DRAWN BY 24/JAN/20		DATE	
CHECKED BY 24/JAN/20		DATE	
REV DATE BY CH APPROX XT NO.		DATE	

Pierce MANUFACTURING INC.

1500-D-750P W/20 GAL FOAM CELL, 152" FH FOLDER BODY
 (3) XLAYS, LADDERS BESIDE TANK, DELUGE, A/C
 PIERCE FIELD UNIT
 FOR APPLETON, WISCONSIN

DWG NO. 33791 AD
 SHEET NO. 1 OF 1