



Pierce Velocity PUC Pumper
Township of Springfield
Job #35142

FEATURES & SPECIFICATIONS

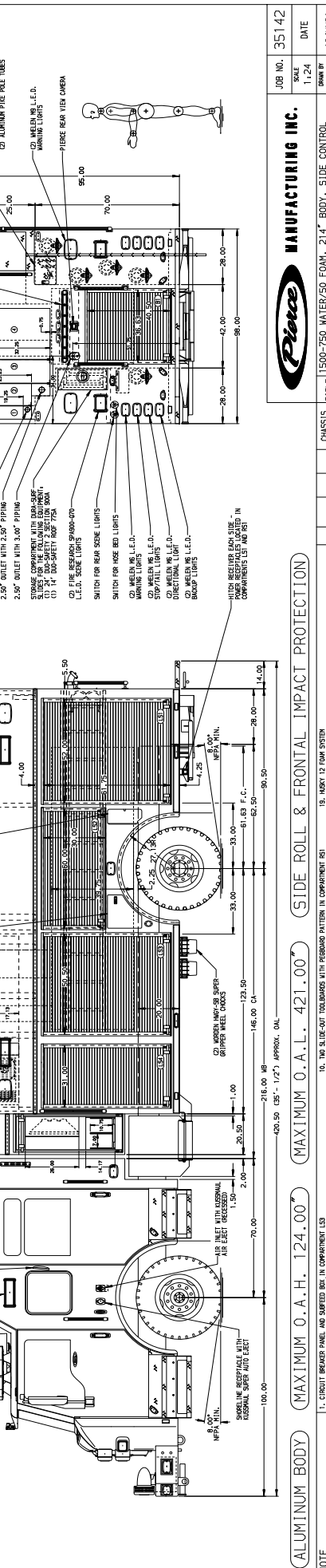
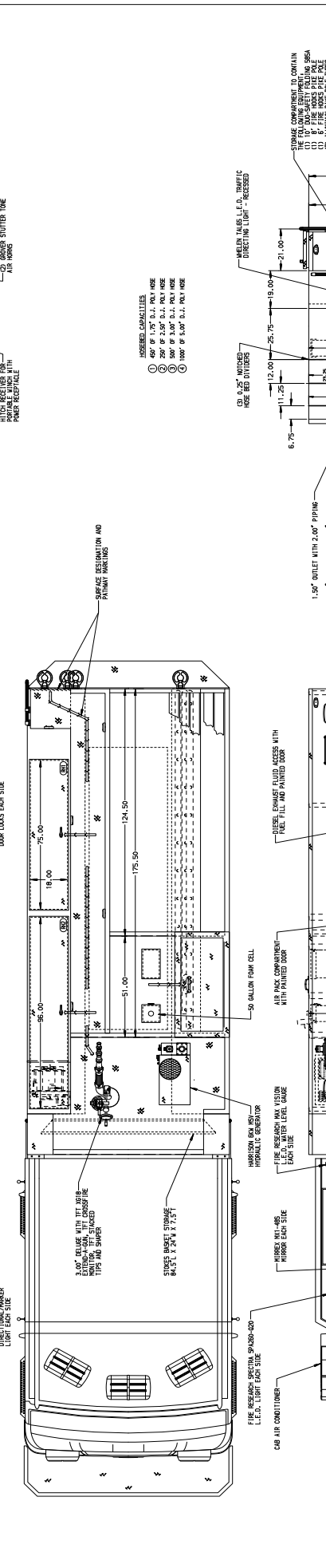
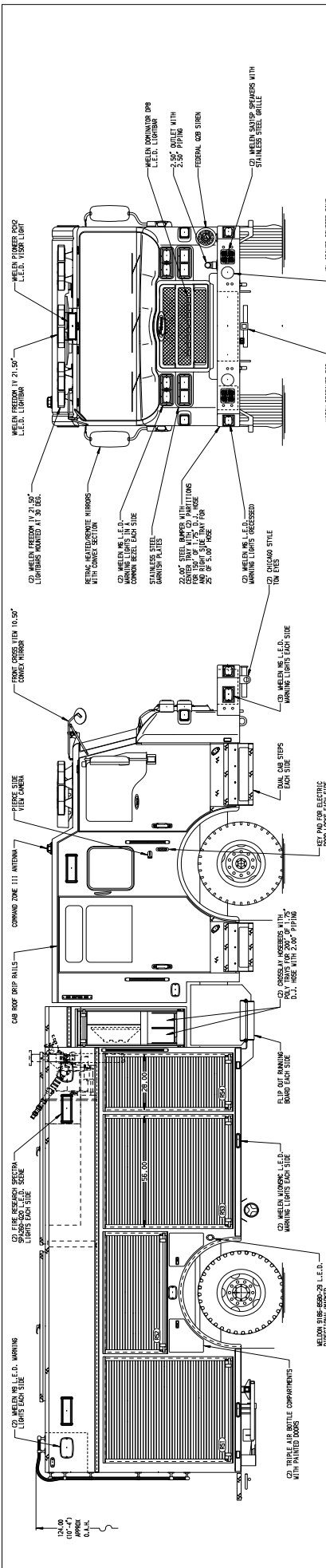
- Pierce Velocity 70" Chassis with a 10" Raised Roof
- Detroit Diesel DD13 525HP 2016 EPA compliant Engine
- Allison EVS4500P Automatic Transmission
- Dana Front and Meritor Rear Axles
- Pierce PUC 1500 GPM Single Stage Pump
- 750 Gallon Poly Water Tank
- Husky 12 Single Agent Foam System
- Harrison MSV 6kw Hydraulic Generator
- Delivered in February 2021



FIRE & SAFETY SERVICES, LTD.

South Plainfield, NJ

web: www.f-ss.com · phone: 800-400-8017



- ROOFED CAPACITIES**
- ① 450' OF 1.50" O.D. 1/2" WALL HOSE
 - ② 250' OF 2.50" O.D. 1/2" WALL HOSE
 - ③ 100' OF 3.00" O.D. 1/2" WALL HOSE
 - ④ 100' OF 3.50" O.D. 1/2" WALL HOSE

MANUFACTURING INC.

35142AD

JOB NO.	35142
SCALE	1:24
DATE	02 JUN 20
DESIGNED BY	JRO
CHECKED BY	CDU
DRAWN BY	CDU
SHEET NO.	1 OF 1

CHASSIS DATA	1500-750 WATER/50 FOAM, 214" BODY, SIDE CONTROL	
TITLE	CROSS-LAYS, DELUGE, LADDERS THRU BODY, GENERATOR	
DATE	02 JUN 20	
PROJECT	FOR SPRINGFIELD, NEW JERSEY	
REV	BY	DATE
1	CDU	02 JUN 20
2	CDU	02 JUN 20
3	CDU	02 JUN 20
4	CDU	02 JUN 20
5	CDU	02 JUN 20
6	CDU	02 JUN 20
7	CDU	02 JUN 20
8	CDU	02 JUN 20
9	CDU	02 JUN 20
10	CDU	02 JUN 20
11	CDU	02 JUN 20
12	CDU	02 JUN 20
13	CDU	02 JUN 20
14	CDU	02 JUN 20
15	CDU	02 JUN 20
16	CDU	02 JUN 20
17	CDU	02 JUN 20
18	CDU	02 JUN 20
19	CDU	02 JUN 20
20	CDU	02 JUN 20

ALUMINUM BODY **MAXIMUM O.A.H. 124.00"** **SIDE ROLL & FRONTAL IMPACT PROTECTION** **MAXIMUM O.A.L. 421.00"** **15. MESH 12 FPM SYSTEM**

NOTE:
 1. EXCEED RESERVE WATER AND FOAM CAPACITY IN COMPARTMENT L51
 2. WATER TANKER WITH 1000 GPM PUMP AND 1000 GPM FLOW BEHIND DRIVER'S SEAT
 3. 2.50" WALL WITH 1/2" THICKNESS IN COMPARTMENTS L51, L52, L53, L54 AND B1
 4. 3.00" WALL WITH 1/2" THICKNESS IN COMPARTMENTS L55, L56, L57, L58 AND B2
 5. 3.50" WALL WITH 1/2" THICKNESS IN COMPARTMENTS L59, L60, L61, L62, L63, L64, L65, L66, L67, L68, L69, L70, L71, L72, L73, L74, L75, L76, L77, L78, L79, L80, L81, L82, L83, L84, L85, L86, L87, L88, L89, L90, L91, L92, L93, L94, L95, L96, L97, L98, L99, L100
 6. ONE ALUMINUM SIDE RAMP WITH 27 SIZES IN COMPARTMENT L51
 7. ONE ALUMINUM SIDE RAMP WITH 27 SIZES IN COMPARTMENT L52
 8. ONE ALUMINUM SIDE RAMP WITH 27 SIZES IN COMPARTMENT L53
 9. ONE ALUMINUM SIDE RAMP WITH 27 SIZES IN COMPARTMENT L54
 10. ONE ALUMINUM SIDE RAMP WITH 27 SIZES IN COMPARTMENT L55
 11. ONE ALUMINUM SIDE RAMP WITH 27 SIZES IN COMPARTMENT L56
 12. ONE ALUMINUM SIDE RAMP WITH 27 SIZES IN COMPARTMENT L57
 13. ONE ALUMINUM SIDE RAMP WITH 27 SIZES IN COMPARTMENT L58
 14. ONE ALUMINUM SIDE RAMP WITH 27 SIZES IN COMPARTMENT L59
 15. ONE ALUMINUM SIDE RAMP WITH 27 SIZES IN COMPARTMENT L60
 16. ONE ALUMINUM SIDE RAMP WITH 27 SIZES IN COMPARTMENT L61
 17. ONE ALUMINUM SIDE RAMP WITH 27 SIZES IN COMPARTMENT L62
 18. ONE ALUMINUM SIDE RAMP WITH 27 SIZES IN COMPARTMENT L63
 19. ONE ALUMINUM SIDE RAMP WITH 27 SIZES IN COMPARTMENT L64
 20. ONE ALUMINUM SIDE RAMP WITH 27 SIZES IN COMPARTMENT L65