



Pierce Impel Pumper
Borough of Keansburg
Job #34818

FEATURES & SPECIFICATIONS

- Pierce Impel 70" Chassis with a 10" Raised Roof
- Cummins L9 450hp 2017 EPA compliant Engine
- Allison EVS3000P Automatic Transmission
- TAK-4 Independent Front Suspension
- Waterous CSU 1500 GPM Single Stage Pump
- 750 Gallon "New York Style" Poly Water Tank
- Delivered in October 2020



FIRE & SAFETY SERVICES, LTD.

South Plainfield, NJ

web: www.f-ss.com · phone: 800-400-8017

PUMPER

BODY
Medium Aluminum 2nd Gen Pumper

CHASSIS
Inpel, Chassis

CHASSIS

AXLE, FRONT, CUSTOM
22,800 lb TK-4 Axle

AXLE, REAR
27,000 lb Mentor Axle

ENGINE
450 HP Cummins L9 Engine

TRANSMISSION
Allison 500 Gen, 3000 EIS P

BUMPER
27" Extended Painted Steel

CAB
7010 Inpel FF Cab

BODY

WATER TANK
750 Gallon New York Single Water Tank

COMPT. PUMPER, REAR
30.75" FF RollUp Rear Comp.

COMPT. PUMPER, LEFT SIDE
152" RollUp Full Height Front & Rear FOLDER

COMPT. PUMPER, RIGHT SIDE
152" RollUp Low FOLDER

FIRE SUPPRESSION

PUMPHOUSE
45" Control Zone Side Mount

PUMP
1500 GPM Waterose CSU

CROSSSLAYS, 1.50"
1.50" Crossslays Not Required

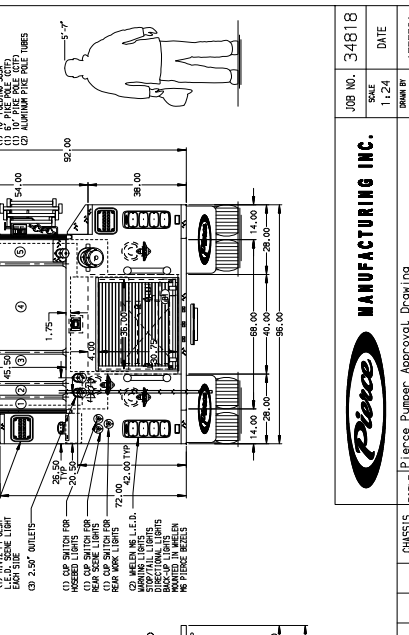
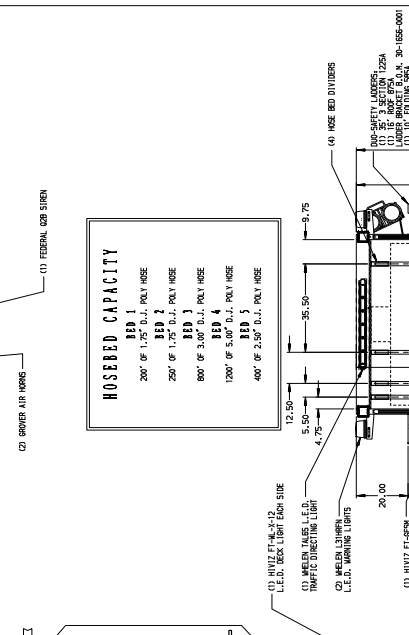
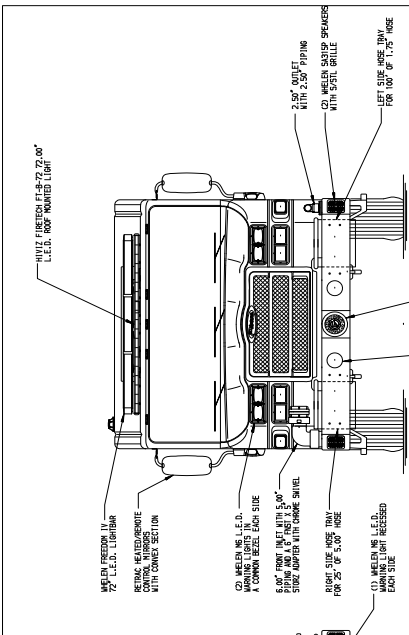
CROSSSLAYS, 2.50"
2.50" Crossslays Not Required

SPEEDLAYS
Speedlays Not Required

GENERATOR
Generator Not Required

Foam System
Foam System Not Required

Foam Cell
Foam Cell Not Required



JOB NO. 34818		DATE	
SCALE	1:24	DATE	17FEB20
DESIGNED BY	DMF	CHECKED BY	DMF
DRAWN BY	DMF	DATE	18FEB20
CHECKED BY	DMF	SHEET NO.	1 OF 1
MANUFACTURING INC.		Pierce Pumper Approval Drawing	
Borough of Kearsburg		34818AD	

NOTE:
 1. SHIELDING RECESSED WITH ORIGINAL BUMP AND PUMP LOCATED ON DRIVER SIDE OF THE CAB
 2. BATTERY CHARGE INDICATOR LOCATED ON DRIVER SIDE OF CAB
 3. BATTERY CHARGE INDICATOR LOCATED ON DRIVER SIDE OF CAB
 4. BATTERY CHARGE INDICATOR LOCATED ON DRIVER SIDE OF CAB
 5. BATTERY CHARGE INDICATOR LOCATED ON DRIVER SIDE OF CAB
 6. BATTERY CHARGE INDICATOR LOCATED ON DRIVER SIDE OF CAB
 7. BATTERY CHARGE INDICATOR LOCATED ON DRIVER SIDE OF CAB
 8. BATTERY CHARGE INDICATOR LOCATED ON DRIVER SIDE OF CAB
 9. BATTERY CHARGE INDICATOR LOCATED ON DRIVER SIDE OF CAB
 10. BATTERY CHARGE INDICATOR LOCATED ON DRIVER SIDE OF CAB
 11. BATTERY CHARGE INDICATOR LOCATED ON DRIVER SIDE OF CAB
 12. BATTERY CHARGE INDICATOR LOCATED ON DRIVER SIDE OF CAB
 13. BATTERY CHARGE INDICATOR LOCATED ON DRIVER SIDE OF CAB
 14. BATTERY CHARGE INDICATOR LOCATED ON DRIVER SIDE OF CAB
 15. BATTERY CHARGE INDICATOR LOCATED ON DRIVER SIDE OF CAB
 16. BATTERY CHARGE INDICATOR LOCATED ON DRIVER SIDE OF CAB
 17. BATTERY CHARGE INDICATOR LOCATED ON DRIVER SIDE OF CAB
 18. BATTERY CHARGE INDICATOR LOCATED ON DRIVER SIDE OF CAB
 19. BATTERY CHARGE INDICATOR LOCATED ON DRIVER SIDE OF CAB
 20. BATTERY CHARGE INDICATOR LOCATED ON DRIVER SIDE OF CAB
 21. BATTERY CHARGE INDICATOR LOCATED ON DRIVER SIDE OF CAB
 22. BATTERY CHARGE INDICATOR LOCATED ON DRIVER SIDE OF CAB
 23. BATTERY CHARGE INDICATOR LOCATED ON DRIVER SIDE OF CAB
 24. BATTERY CHARGE INDICATOR LOCATED ON DRIVER SIDE OF CAB
 25. BATTERY CHARGE INDICATOR LOCATED ON DRIVER SIDE OF CAB
 26. BATTERY CHARGE INDICATOR LOCATED ON DRIVER SIDE OF CAB
 27. BATTERY CHARGE INDICATOR LOCATED ON DRIVER SIDE OF CAB
 28. BATTERY CHARGE INDICATOR LOCATED ON DRIVER SIDE OF CAB
 29. BATTERY CHARGE INDICATOR LOCATED ON DRIVER SIDE OF CAB
 30. BATTERY CHARGE INDICATOR LOCATED ON DRIVER SIDE OF CAB
 31. BATTERY CHARGE INDICATOR LOCATED ON DRIVER SIDE OF CAB
 32. BATTERY CHARGE INDICATOR LOCATED ON DRIVER SIDE OF CAB
 33. BATTERY CHARGE INDICATOR LOCATED ON DRIVER SIDE OF CAB
 34. BATTERY CHARGE INDICATOR LOCATED ON DRIVER SIDE OF CAB
 35. BATTERY CHARGE INDICATOR LOCATED ON DRIVER SIDE OF CAB
 36. BATTERY CHARGE INDICATOR LOCATED ON DRIVER SIDE OF CAB
 37. BATTERY CHARGE INDICATOR LOCATED ON DRIVER SIDE OF CAB
 38. BATTERY CHARGE INDICATOR LOCATED ON DRIVER SIDE OF CAB
 39. BATTERY CHARGE INDICATOR LOCATED ON DRIVER SIDE OF CAB
 40. BATTERY CHARGE INDICATOR LOCATED ON DRIVER SIDE OF CAB
 41. BATTERY CHARGE INDICATOR LOCATED ON DRIVER SIDE OF CAB
 42. BATTERY CHARGE INDICATOR LOCATED ON DRIVER SIDE OF CAB
 43. BATTERY CHARGE INDICATOR LOCATED ON DRIVER SIDE OF CAB
 44. BATTERY CHARGE INDICATOR LOCATED ON DRIVER SIDE OF CAB
 45. BATTERY CHARGE INDICATOR LOCATED ON DRIVER SIDE OF CAB
 46. BATTERY CHARGE INDICATOR LOCATED ON DRIVER SIDE OF CAB
 47. BATTERY CHARGE INDICATOR LOCATED ON DRIVER SIDE OF CAB
 48. BATTERY CHARGE INDICATOR LOCATED ON DRIVER SIDE OF CAB
 49. BATTERY CHARGE INDICATOR LOCATED ON DRIVER SIDE OF CAB
 50. BATTERY CHARGE INDICATOR LOCATED ON DRIVER SIDE OF CAB
 51. BATTERY CHARGE INDICATOR LOCATED ON DRIVER SIDE OF CAB
 52. BATTERY CHARGE INDICATOR LOCATED ON DRIVER SIDE OF CAB
 53. BATTERY CHARGE INDICATOR LOCATED ON DRIVER SIDE OF CAB
 54. BATTERY CHARGE INDICATOR LOCATED ON DRIVER SIDE OF CAB
 55. BATTERY CHARGE INDICATOR LOCATED ON DRIVER SIDE OF CAB
 56. BATTERY CHARGE INDICATOR LOCATED ON DRIVER SIDE OF CAB
 57. BATTERY CHARGE INDICATOR LOCATED ON DRIVER SIDE OF CAB
 58. BATTERY CHARGE INDICATOR LOCATED ON DRIVER SIDE OF CAB
 59. BATTERY CHARGE INDICATOR LOCATED ON DRIVER SIDE OF CAB
 60. BATTERY CHARGE INDICATOR LOCATED ON DRIVER SIDE OF CAB
 61. BATTERY CHARGE INDICATOR LOCATED ON DRIVER SIDE OF CAB
 62. BATTERY CHARGE INDICATOR LOCATED ON DRIVER SIDE OF CAB
 63. BATTERY CHARGE INDICATOR LOCATED ON DRIVER SIDE OF CAB
 64. BATTERY CHARGE INDICATOR LOCATED ON DRIVER SIDE OF CAB
 65. BATTERY CHARGE INDICATOR LOCATED ON DRIVER SIDE OF CAB
 66. BATTERY CHARGE INDICATOR LOCATED ON DRIVER SIDE OF CAB
 67. BATTERY CHARGE INDICATOR LOCATED ON DRIVER SIDE OF CAB
 68. BATTERY CHARGE INDICATOR LOCATED ON DRIVER SIDE OF CAB
 69. BATTERY CHARGE INDICATOR LOCATED ON DRIVER SIDE OF CAB
 70. BATTERY CHARGE INDICATOR LOCATED ON DRIVER SIDE OF CAB
 71. BATTERY CHARGE INDICATOR LOCATED ON DRIVER SIDE OF CAB
 72. BATTERY CHARGE INDICATOR LOCATED ON DRIVER SIDE OF CAB
 73. BATTERY CHARGE INDICATOR LOCATED ON DRIVER SIDE OF CAB
 74. BATTERY CHARGE INDICATOR LOCATED ON DRIVER SIDE OF CAB
 75. BATTERY CHARGE INDICATOR LOCATED ON DRIVER SIDE OF CAB
 76. BATTERY CHARGE INDICATOR LOCATED ON DRIVER SIDE OF CAB
 77. BATTERY CHARGE INDICATOR LOCATED ON DRIVER SIDE OF CAB
 78. BATTERY CHARGE INDICATOR LOCATED ON DRIVER SIDE OF CAB
 79. BATTERY CHARGE INDICATOR LOCATED ON DRIVER SIDE OF CAB
 80. BATTERY CHARGE INDICATOR LOCATED ON DRIVER SIDE OF CAB
 81. BATTERY CHARGE INDICATOR LOCATED ON DRIVER SIDE OF CAB
 82. BATTERY CHARGE INDICATOR LOCATED ON DRIVER SIDE OF CAB
 83. BATTERY CHARGE INDICATOR LOCATED ON DRIVER SIDE OF CAB
 84. BATTERY CHARGE INDICATOR LOCATED ON DRIVER SIDE OF CAB
 85. BATTERY CHARGE INDICATOR LOCATED ON DRIVER SIDE OF CAB
 86. BATTERY CHARGE INDICATOR LOCATED ON DRIVER SIDE OF CAB
 87. BATTERY CHARGE INDICATOR LOCATED ON DRIVER SIDE OF CAB
 88. BATTERY CHARGE INDICATOR LOCATED ON DRIVER SIDE OF CAB
 89. BATTERY CHARGE INDICATOR LOCATED ON DRIVER SIDE OF CAB
 90. BATTERY CHARGE INDICATOR LOCATED ON DRIVER SIDE OF CAB
 91. BATTERY CHARGE INDICATOR LOCATED ON DRIVER SIDE OF CAB
 92. BATTERY CHARGE INDICATOR LOCATED ON DRIVER SIDE OF CAB
 93. BATTERY CHARGE INDICATOR LOCATED ON DRIVER SIDE OF CAB
 94. BATTERY CHARGE INDICATOR LOCATED ON DRIVER SIDE OF CAB
 95. BATTERY CHARGE INDICATOR LOCATED ON DRIVER SIDE OF CAB
 96. BATTERY CHARGE INDICATOR LOCATED ON DRIVER SIDE OF CAB
 97. BATTERY CHARGE INDICATOR LOCATED ON DRIVER SIDE OF CAB
 98. BATTERY CHARGE INDICATOR LOCATED ON DRIVER SIDE OF CAB
 99. BATTERY CHARGE INDICATOR LOCATED ON DRIVER SIDE OF CAB
 100. BATTERY CHARGE INDICATOR LOCATED ON DRIVER SIDE OF CAB