



Pierce Enforcer Pumper  
Jefferson Township/Milton Fire Co. #1  
Job #34231

FEATURES & SPECIFICATIONS

- Pierce Enforcer 70" Chassis with a 10" Raised Roof
- Cummins L9 450hp 2017 EPA compliant Engine
- Allison EVS3000P Automatic Transmission
- Dana Front and Meritor Rear Axles
- Waterous CSU 1500 GPM Single Stage Pump
- 1250 Gallon Poly Water Tank
- Delivered in March 2020



**FIRE & SAFETY SERVICES, LTD.**  
South Plainfield, NJ  
web: [www.f-ss.com](http://www.f-ss.com) · phone: 800-400-8017

**PUMPER**

**BODY**  
Long Aluminum 2nd Gen Pumper

**CHASSIS**  
Enforcer Chassis

**CHASSIS**

**AXLE, FRONT, CUSTOM**  
20,000 Lb Dana Axle

**AXLE, REAR**  
31,000 Lb Dana Axle

**ENGINE**  
450 HP Cummins L9 Engine

**TRANSMISSION**  
Allison 500 Gen, 3000 EVS P

**BUMPER**  
19" Extended Painted Steel

7010 Enforcer Cab

**BODY**

**WATER TANK**  
1000 Gallon Poly Water Tank

**COMPT. PUMPER, REAR**  
44.50" FF RollUp Rear Comp.

**COMPT. PUMPER, LEFT SIDE**  
171" RollUp Full Height Front & Rear Foler

**COMPT. PUMPER, RIGHT SIDE**  
171" RollUp Full Height Front & Rear Foler

**FIRE SUPPRESSION**

**PUMPHOUSE**  
45" Control Zone Side Mount

**PUMP**  
1500 GPM Inhouse CSU

**CROSSSLAYS, 1.30"**  
C1) 1.50" Standard Capacity  
C2) 2.50" Standard Capacity

**CROSSSLAYS, 2.50"**  
2.50" Capacity Not Required

**SPEEDSLAYS**  
Speedslay Not Required

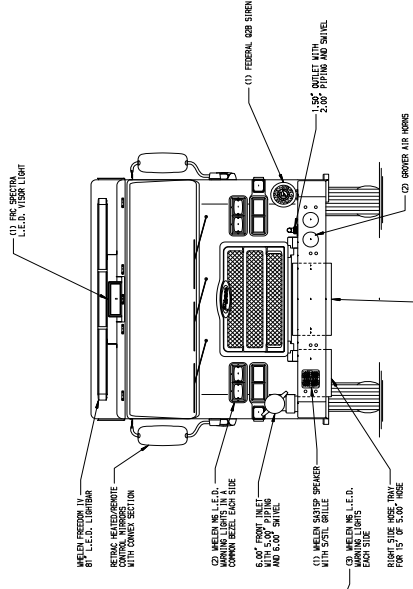
**GENERATOR**  
Generator Not Required

**Foam System**  
Foam System Not Required

**Foam Cell**  
Foam Cell Not Required

**NOTE:**  
DIMENSIONS SHOWN ARE APPROXIMATE  
AND ARE SUBJECT TO MINOR DEVIATIONS  
AS MAY OCCUR OR BE NECESSARY IN  
CONSTRUCTION.

**MINOR DETAILS NOT SHOWN.**



**HOSEBED CAPACITY**

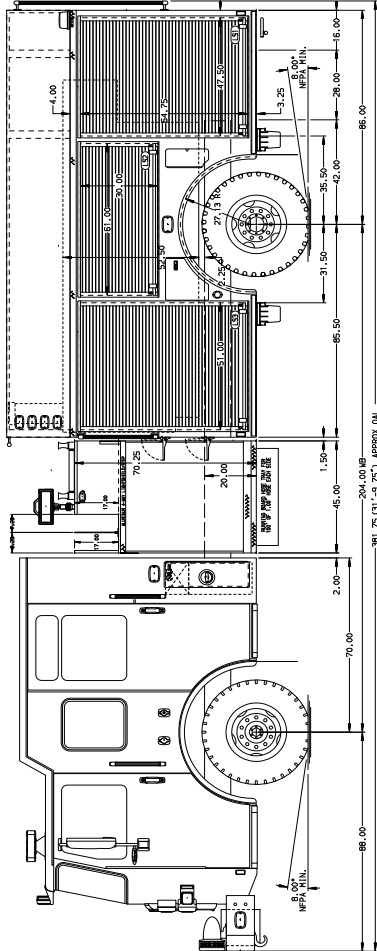
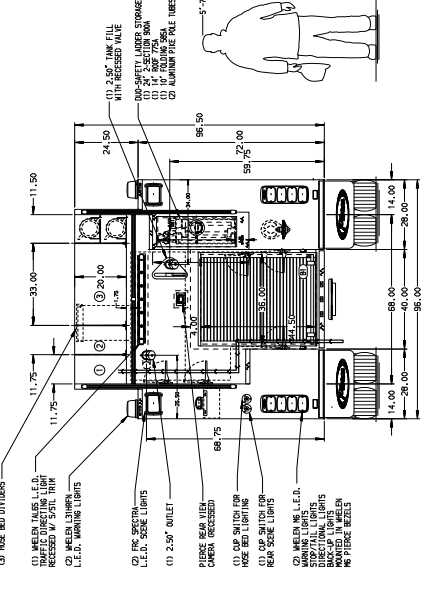
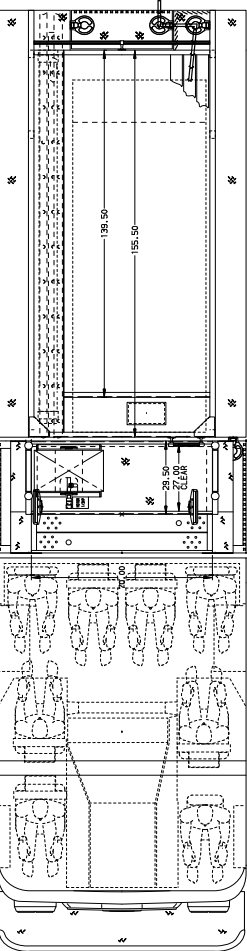
REG 1

500' OF 3.00" O.D.J. POLY HOSE

100' OF 3.00" O.D.J. POLY HOSE

500' OF 2.50" O.D.J. POLY HOSE

1000' OF 2.50" O.D.J. POLY HOSE



**Pierce** **MANUFACTURING INC.**

JOB NO. 34231

SCALE 1:1.24

DATE

DRWN BY COL

CHECKED BY KGO

DESIGNED BY COL

TOWNSHIP OF Jefferson

PIERCE MODEL

CHASSIS 7010

DATE 09/20/19

REVISIONS

NO. 1

DATE

BY

DESCRIPTION

CHASSIS TITLE Pierce Pumper Approval Drawing

DATA TITLE

NO. 1

DATE 09/20/19

BY

DESCRIPTION

NOTE: 1. SWIRL LINE RECEPTACLE WITH NORMAL WATER FLOW LOCATED ON DRIVER SIDE OF THE CAB

2. SWIRL LINE RECEPTACLE WITH NORMAL WATER FLOW LOCATED ON PASSENGER SIDE OF THE CAB

3. SWIRL LINE RECEPTACLE WITH NORMAL WATER FLOW LOCATED ON THE BATTERY SIDE OF THE CAB

4. SWIRL LINE RECEPTACLE WITH NORMAL WATER FLOW LOCATED ON THE CHASSIS SIDE OF THE CAB

5. SWIRL LINE RECEPTACLE WITH NORMAL WATER FLOW LOCATED ON THE CHASSIS SIDE OF THE CAB

6. SWIRL LINE RECEPTACLE WITH NORMAL WATER FLOW LOCATED ON THE CHASSIS SIDE OF THE CAB

7. SWIRL LINE RECEPTACLE WITH NORMAL WATER FLOW LOCATED ON THE CHASSIS SIDE OF THE CAB

8. SWIRL LINE RECEPTACLE WITH NORMAL WATER FLOW LOCATED ON THE CHASSIS SIDE OF THE CAB

Job No. 34231 AD

Scale 1:1.24

Date

Drawn by COL

Checked by KGO

Designed by COL

Township of Jefferson

Pierce Model

Chassis 7010

Date 09/20/19

Revisions

No. 1

Date

By

Description

Job No. 34231

Scale 1:1.24

Date

Drawn by COL

Checked by KGO

Designed by COL

Township of Jefferson

Pierce Model

Chassis 7010

Date 09/20/19

Revisions

No. 1

Date

By

Description