



Pierce Enforcer Pumper
Chester Township
Job #34272

FEATURES & SPECIFICATIONS

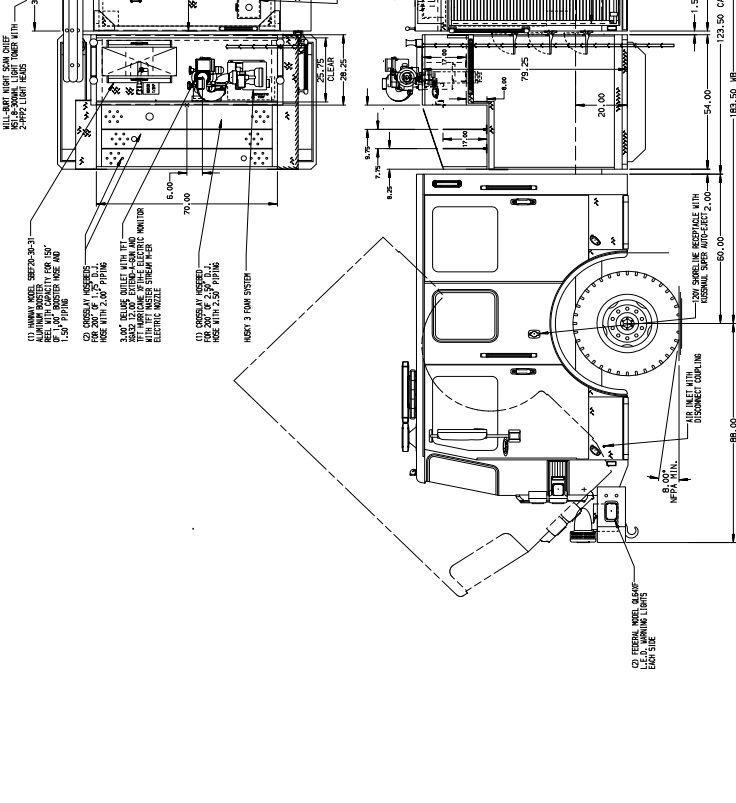
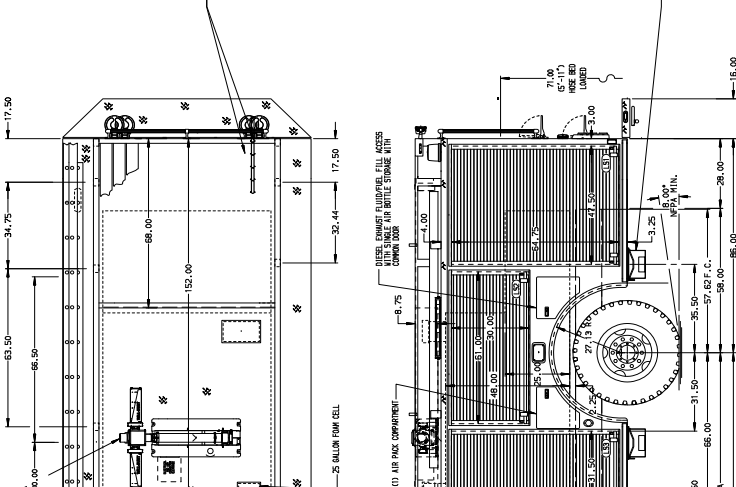
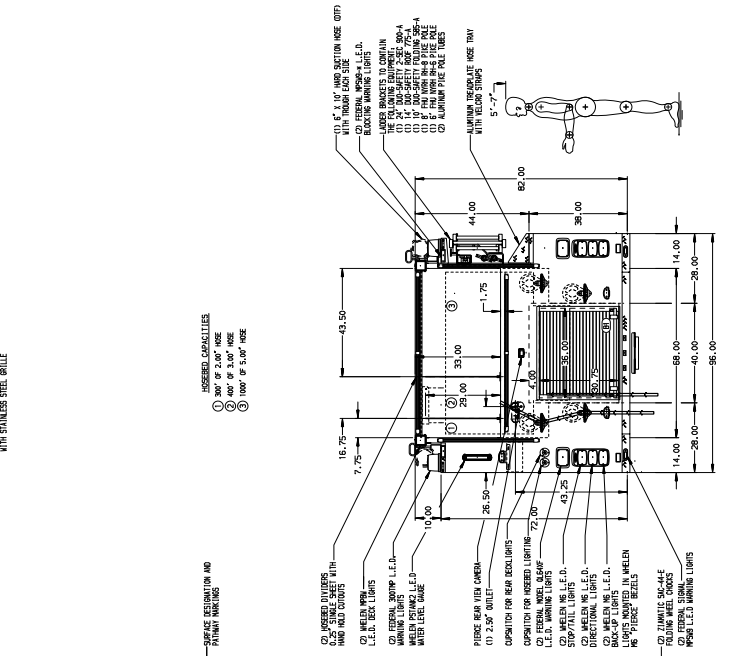
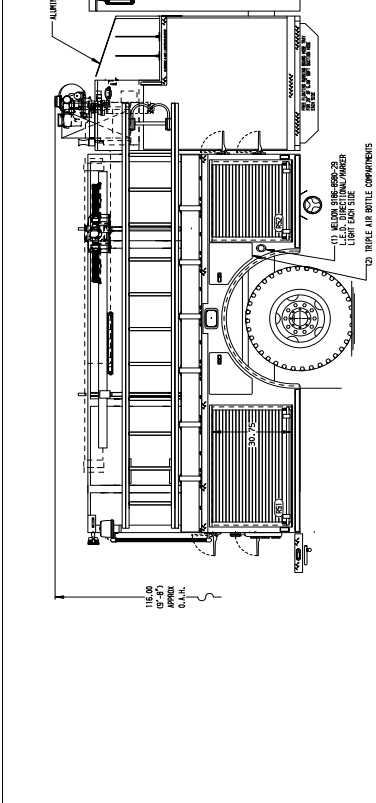
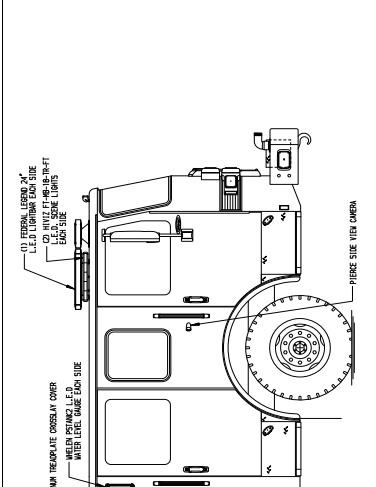
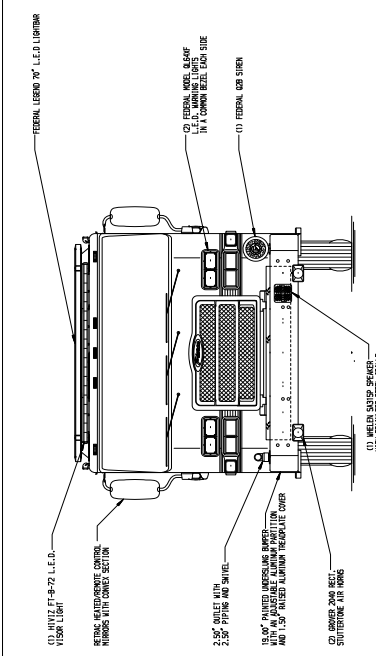
- Pierce Enforcer 60" Chassis with a Flat Roof
- Cummins L9 450hp 2017 EPA compliant Engine
- Allison EVS4500P Automatic Transmission
- Dana Front and Meritor Rear Axles
- Waterous CSU 1500 GPM Single Stage Pump
- 1000 Gallon "New York Style" Poly Water Tank
- Husky 3 Single Agent Foam System
- Delivered in March 2020



FIRE & SAFETY SERVICES, LTD.

South Plainfield, NJ

web: www.f-ss.com · phone: 800-400-8017



JOB NO. 34272		DATE
SCALE 1:24		DATE
DRAWN BY LST		DATE 22AUG19
CHECKED BY AZA		DATE 27AUG19
SHEET NO. D		SHEET SIZE 11 X 17
DRAWING NO. 34272AD		

Pierce MANUFACTURING INC.

1500-D-1000P, 975 GAL. OF WATER W/ 25 GAL. FOAM CELL

TITLE 152' BODY, LADDER BRACKETS, (3) CROSSLAYS

FOR TOWNSHIP OF CHESTER

CHESTER, NEW JERSEY

MODEL NO. DNG

ENFORCER NO.

ALUMINUM BODY

NOTE: DIMENSIONS SHOWN ARE APPROXIMATE AND ARE SUBJECT TO MINOR DEVIATIONS AS MAY OCCUR OR BE NECESSARY IN CONSTRUCTION. MINOR DETAILS NOT SHOWN.

1. FEDERAL LEGEND 74 LED LIGHTING IS PROVIDED AT REAR AND SIDE LOCATIONS. FEDERAL MODEL 5400F LED LIGHTING IS PROVIDED AT FRONT AND SIDE LOCATIONS. FEDERAL 400 SERIES LED LIGHTING IS PROVIDED AT FRONT AND SIDE LOCATIONS. FEDERAL 2.5" OUTLET WITH 2.5" PIPING AND GASKET IS PROVIDED AT FRONT AND SIDE LOCATIONS. FEDERAL 15" PAINTED URETHANE BUMPER WITH 2" ALUMINUM THERAPEUTIC COVER IS PROVIDED AT FRONT AND SIDE LOCATIONS. FEDERAL 2" AIR INLET WITH 2" PIPING AND GASKET IS PROVIDED AT FRONT AND SIDE LOCATIONS.

2. FEDERAL LEGEND 74 LED LIGHTING IS PROVIDED AT REAR AND SIDE LOCATIONS. FEDERAL MODEL 5400F LED LIGHTING IS PROVIDED AT FRONT AND SIDE LOCATIONS. FEDERAL 400 SERIES LED LIGHTING IS PROVIDED AT FRONT AND SIDE LOCATIONS. FEDERAL 2.5" OUTLET WITH 2.5" PIPING AND GASKET IS PROVIDED AT FRONT AND SIDE LOCATIONS. FEDERAL 15" PAINTED URETHANE BUMPER WITH 2" ALUMINUM THERAPEUTIC COVER IS PROVIDED AT FRONT AND SIDE LOCATIONS. FEDERAL 2" AIR INLET WITH 2" PIPING AND GASKET IS PROVIDED AT FRONT AND SIDE LOCATIONS.

3. FEDERAL LEGEND 74 LED LIGHTING IS PROVIDED AT REAR AND SIDE LOCATIONS. FEDERAL MODEL 5400F LED LIGHTING IS PROVIDED AT FRONT AND SIDE LOCATIONS. FEDERAL 400 SERIES LED LIGHTING IS PROVIDED AT FRONT AND SIDE LOCATIONS. FEDERAL 2.5" OUTLET WITH 2.5" PIPING AND GASKET IS PROVIDED AT FRONT AND SIDE LOCATIONS. FEDERAL 15" PAINTED URETHANE BUMPER WITH 2" ALUMINUM THERAPEUTIC COVER IS PROVIDED AT FRONT AND SIDE LOCATIONS. FEDERAL 2" AIR INLET WITH 2" PIPING AND GASKET IS PROVIDED AT FRONT AND SIDE LOCATIONS.