



Pierce Freightliner FXT Tanker

Washington Twp. Fire District #1 (Warren County)

Job #33422

FEATURES & SPECIFICATIONS

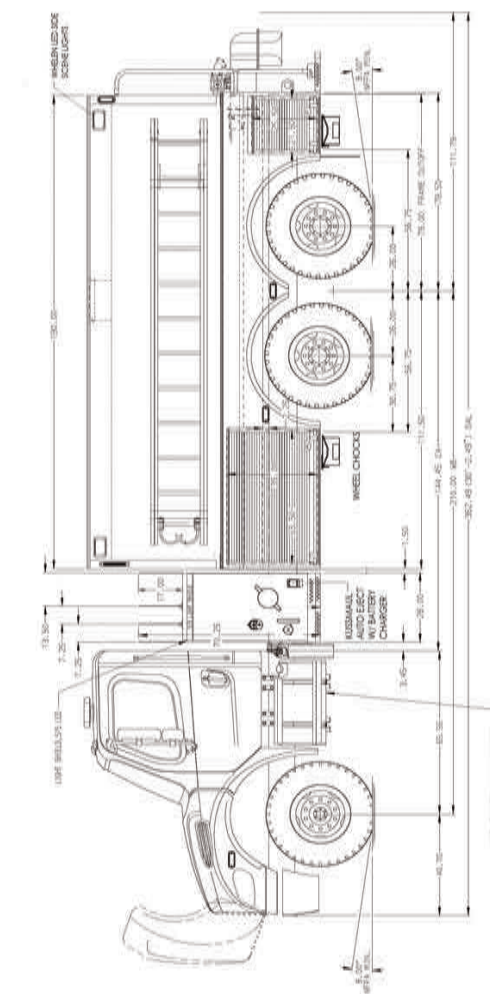
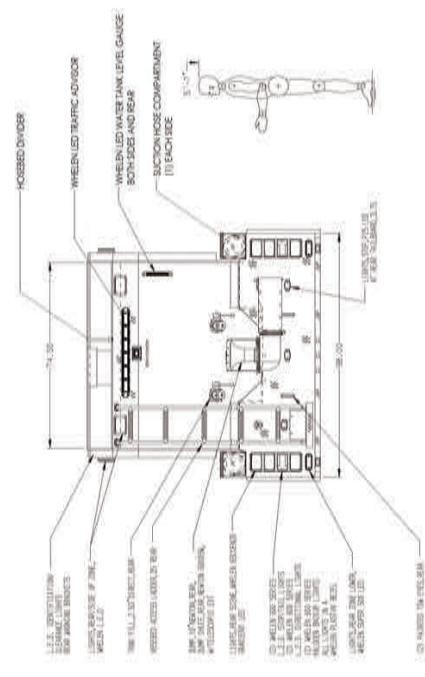
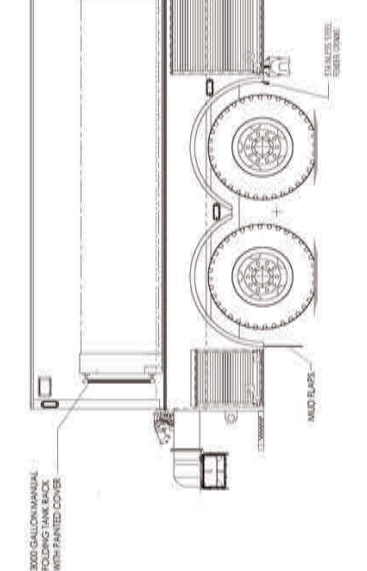
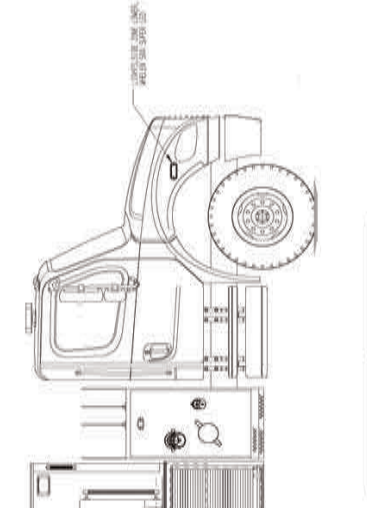
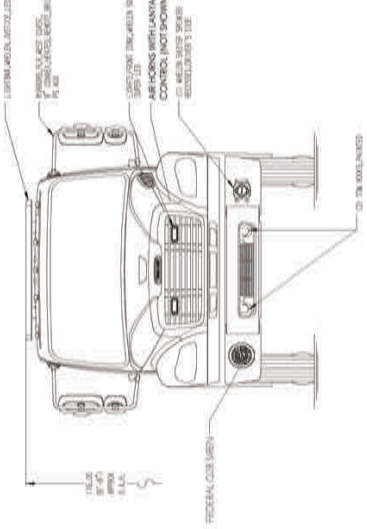
- Freightliner M2-106 6x4 2-door chassis
- Cummins L9 350hp Engine
- Allison EVS3000 Automatic Transmission
- Hale MBP-100 1000 GPM Single Stage PTO Pump
- 3000 Water Tank
- Delivered in January 2020



FIRE & SAFETY SERVICES, LTD.

South Plainfield, NJ

web: www.f-ss.com · phone: 800-400-8017



ALUMINUM BODY

NOTE:
DIMENSIONS SHOWN ARE APPROXIMATE AND ARE SUBJECT TO MINOR VARIATIONS AS MAY OCCUR OR BE NECESSARY IN CONSTRUCTION.
MINOR DETAILS NOT SHOWN.

Pierce MANUFACTURING INC. / BRISTOL, VERMONT

JOB NO. SF-2204
DATE 1/74
DIME

REV	DATE	BY	CHK	DESCRIPTION
1	1/74	JAF	JAF	ISSUED FOR PRODUCTION
2	1/74	JAF	JAF	ISSUED FOR PRODUCTION
3	1/74	JAF	JAF	ISSUED FOR PRODUCTION
4	1/74	JAF	JAF	ISSUED FOR PRODUCTION
5	1/74	JAF	JAF	ISSUED FOR PRODUCTION

TITLE: 1000-G-3000 GALLON POLY METSIDE TANKER
 DATE: 1/74
 DRAWN BY: JAF
 CHECKED BY: JAF
 SCALE: 1/2" = 1'-0"
 PROJECT NO.: SF-2204
 PROJECT NAME: POLY METSIDE TANKER
 CUSTOMER: POLY METSIDE TANKER CO., WARREN COUNTY VERMONT
 PROJECT ADDRESS: WARREN COUNTY VERMONT

1000-G-3000 GALLON POLY METSIDE TANKER

1000-G-3000 GALLON POLY METSIDE TANKER