



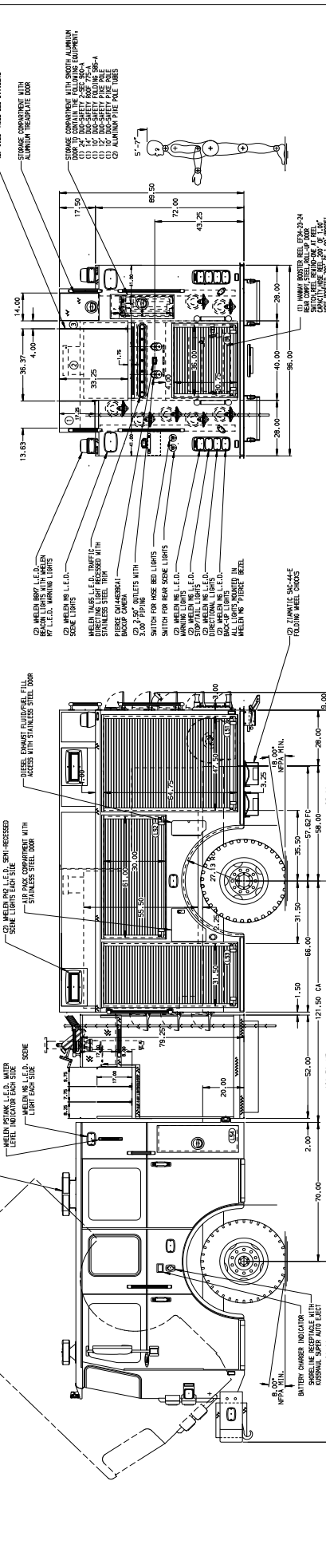
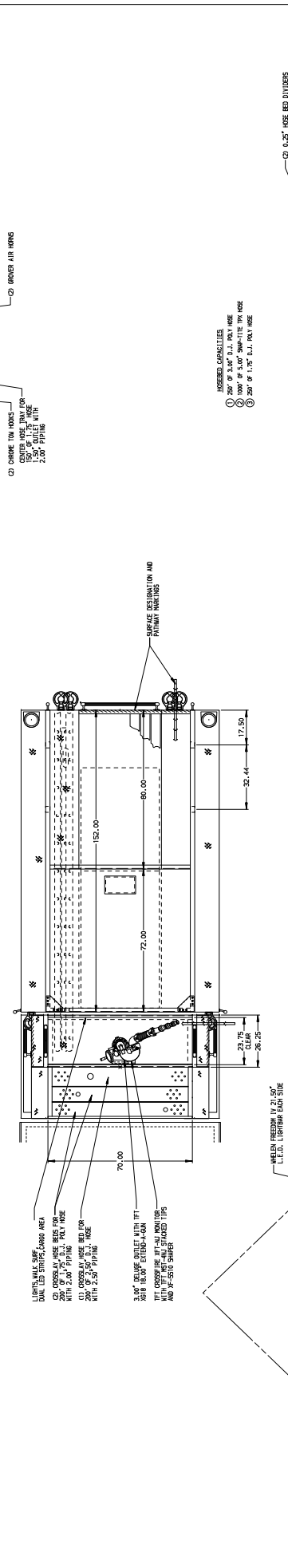
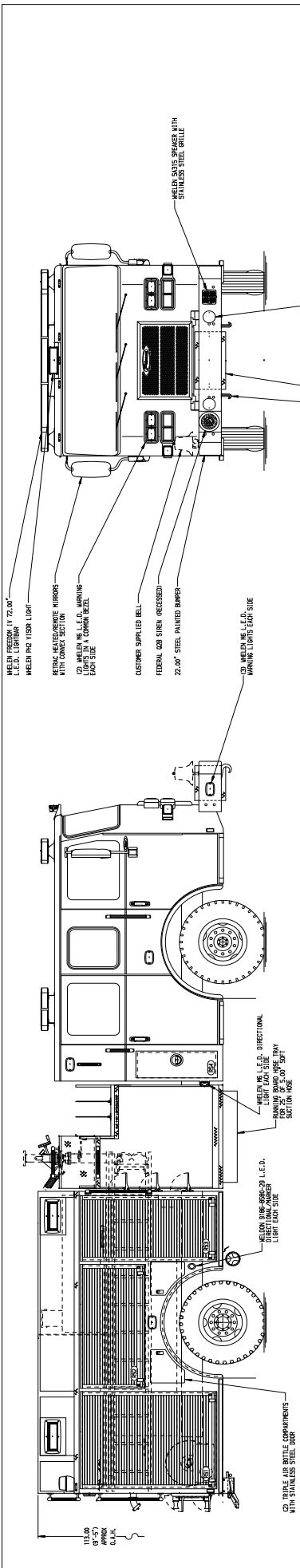
Pierce Saber Pumper
North Brunswick Fire Co. #1
Job #33629

FEATURES & SPECIFICATIONS

- Pierce Saber 70" Chassis with a Flat Roof
- Cummins L9 450hp 2017 EPA compliant Engine
- Allison EVS3000P Automatic Transmission
- Dana Front and Rear Axles
- Waterous CSU 2000 GPM Single Stage Pump
- 750 Gallon Poly Water Tank
- Delivered in January 2020



FIRE & SAFETY SERVICES, LTD.
South Plainfield, NJ
web: www.f-ss.com · phone: 800-400-8017



MANUFACTURING INC.

JOB NO. 33629		SCALE 1:1.24	DATE
TITLE 2000-D-750P-152' PUMPER RESCUE BODY DELUGE LADDER STORAGE THRU BODY, (3) CROSSLAYS, BOOSTER REEL FOR NORTH BRUNSWICK FIRE COMPANY #1		DESIGNED BY BSI	25FEB19
CHASSIS DATA		ORDERED BY AZA	OSWARTIS
DATE	BY	CHK	NO.
11/19/19	JJA	RNI	
03/09/19	BSI	AZA	
09/09/19	BSI	DNG	
01/09/19	BSI	DNG	
33629AD		D	
1 of 1		1 of 1	

NOTE: DIMENSIONS SHOWN ARE APPROXIMATE AND ARE SUBJECT TO MINOR DEVIATIONS AS MAY OCCUR OR BE NECESSARY IN CONSTRUCTION. MINOR DETAILS NOT SHOWN.