



## Pierce Arrow XT PUC Pumper

Franklin Twp. Fire Dist. 2/Griggstown Fire Co.

Job #31430

- Pierce Arrow XT 67" Cab with a 10" Raised Roof
- Detroit Diesel DD13 505 hp 2016 EPA compliant Engine
- Allison EVS4000P Automatic Transmission
- TAK-4 Independent Front Suspension
- Pierce PUC 1500 GPM Single Stage Pump
- 750 Gallon Poly Tank
- Pierce Husky 12 Foam System
- Pierce Hercules 140 CFM CAFS system
- Delivered in March 2018

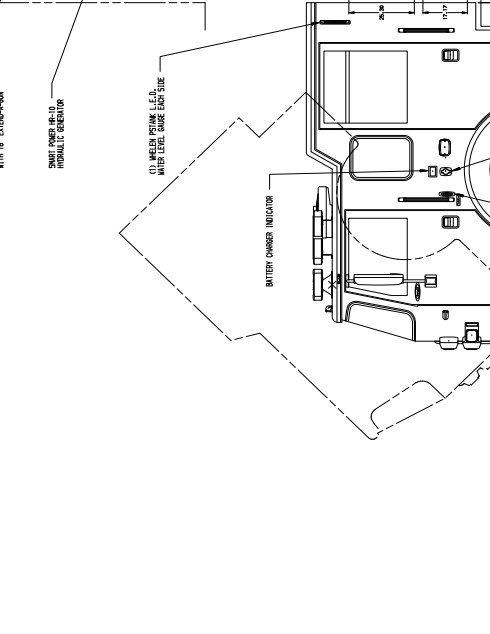
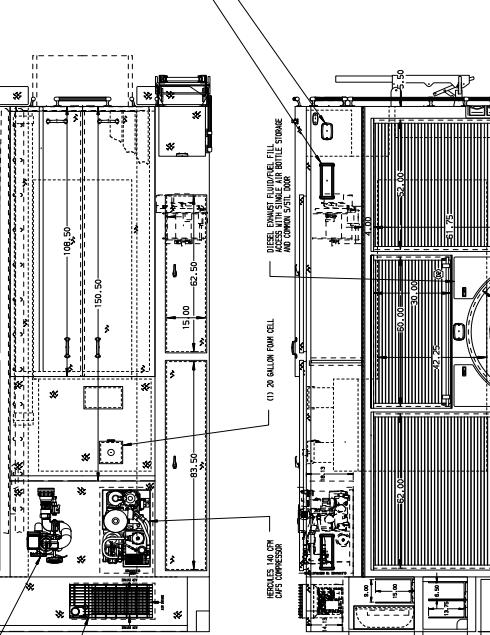
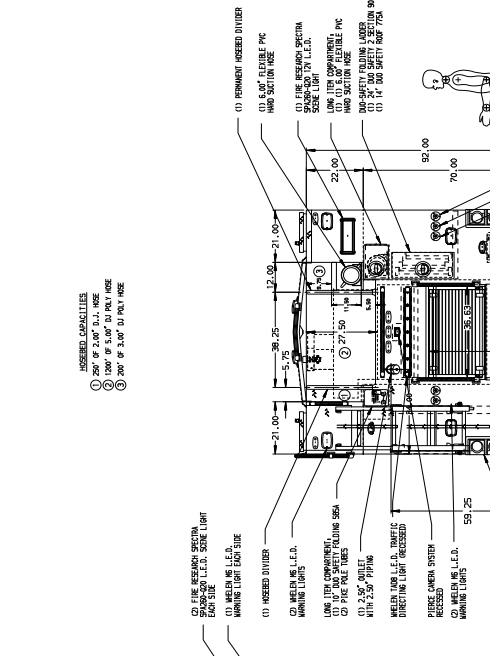
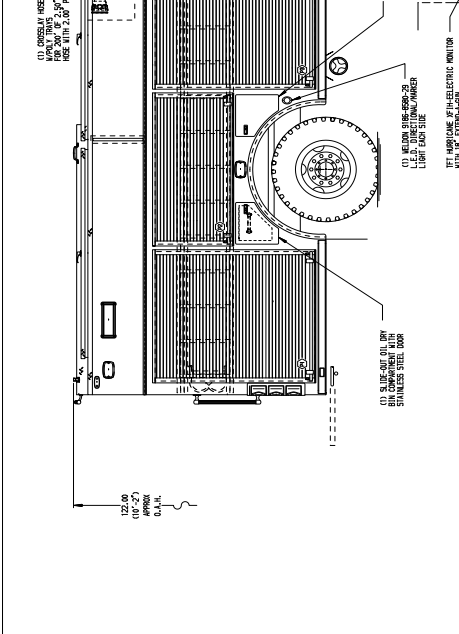
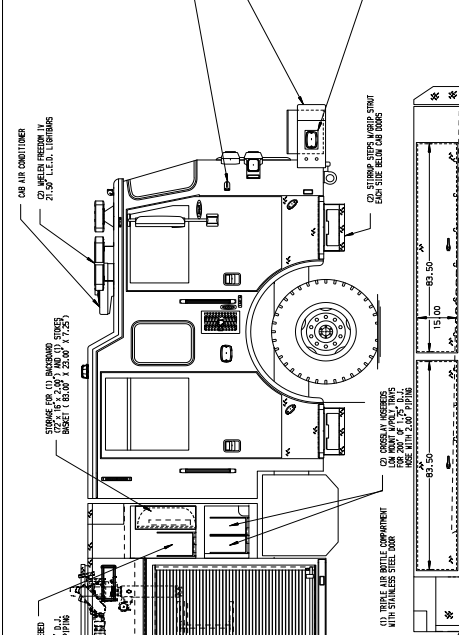
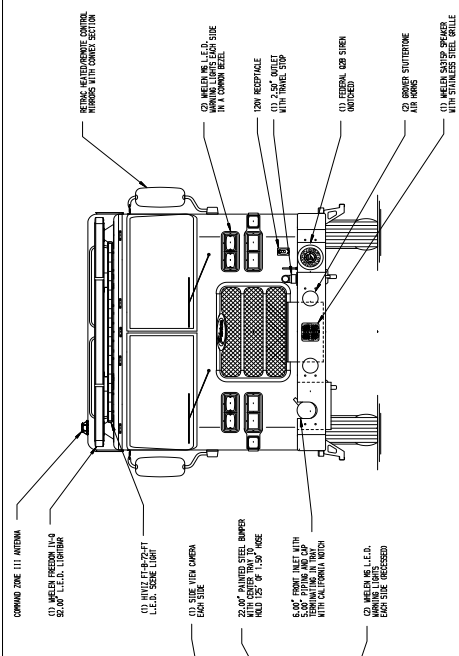
FEATURES & SPECIFICATIONS



***FIRE & SAFETY SERVICES, LTD.***

South Plainfield, NJ

web: [www.f-ss.com](http://www.f-ss.com) · phone: 800-400-8017



**MANUFACTURING INC.**

**31430AD**

CHASSIS DATA	1500-D-750P W/ (2) 20 GAL. FOAM CELLS, 189" PUC RESCUE
TITLE	(4) XLAWS, LADDERS THRU BODY, DELUGE, GENERATOR
FOR	FRANKLIN TOWNSHIP FIRE DISTRICT #2
DATE	17 JUL 17
BY	CJH
CHECKED BY	D
DATE	18 JUL 17
SHEET NO.	1 OF 1

**MAXIMUM O.A.H. 120.00"**

**MAXIMUM O.A.L. 396.00"**

**ALUMINUM BODY**

**SIDE ROLL AND FRONTAL IMPACT PROTECTION**

**NOTE:**

- BATTERY CAGES LOCATED INSIDE DRIVER SEAT
- ONE (1) BATTERY CAGE LOCATED INSIDE DRIVER SEAT
- ONE (1) BATTERY CAGE LOCATED INSIDE DRIVER SEAT
- ONE (1) BATTERY CAGE LOCATED INSIDE DRIVER SEAT
- ONE (1) BATTERY CAGE LOCATED INSIDE DRIVER SEAT
- ONE (1) BATTERY CAGE LOCATED INSIDE DRIVER SEAT
- ONE (1) BATTERY CAGE LOCATED INSIDE DRIVER SEAT
- ONE (1) BATTERY CAGE LOCATED INSIDE DRIVER SEAT
- ONE (1) BATTERY CAGE LOCATED INSIDE DRIVER SEAT
- ONE (1) BATTERY CAGE LOCATED INSIDE DRIVER SEAT