



Pierce Enforcer Pumper  
Borough of Woodcliff Lake  
Job #29777

FEATURES & SPECIFICATIONS

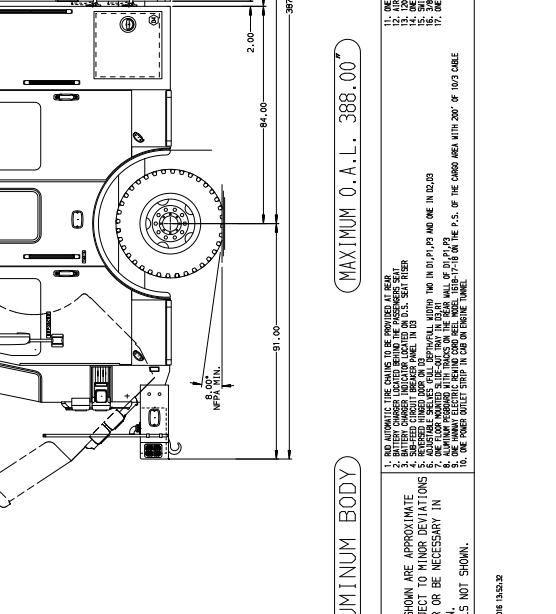
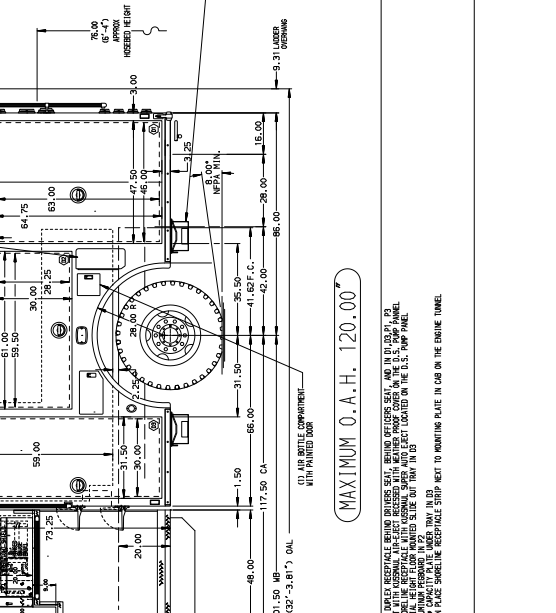
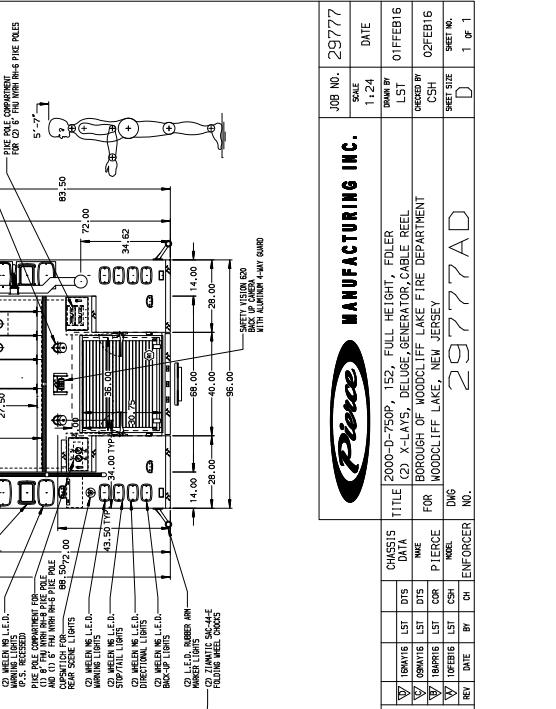
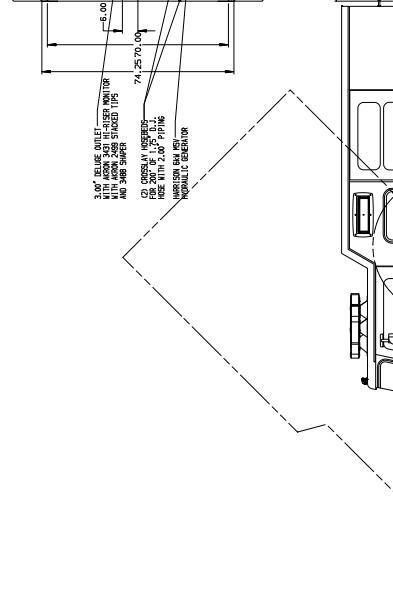
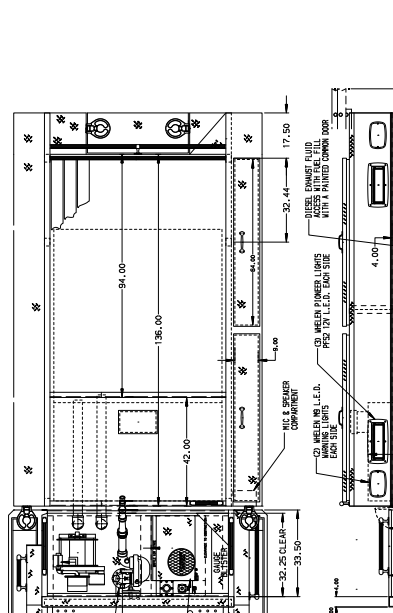
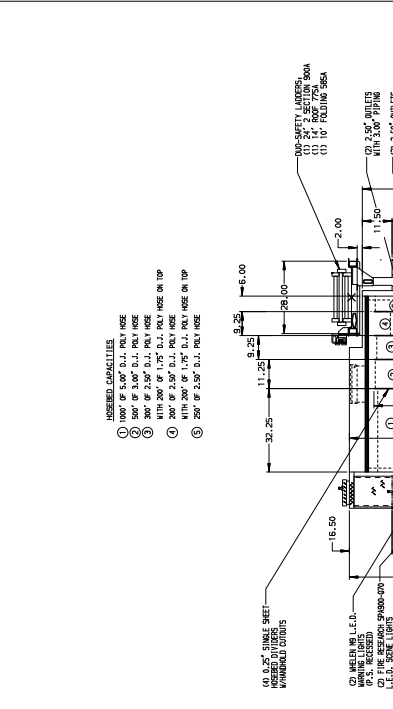
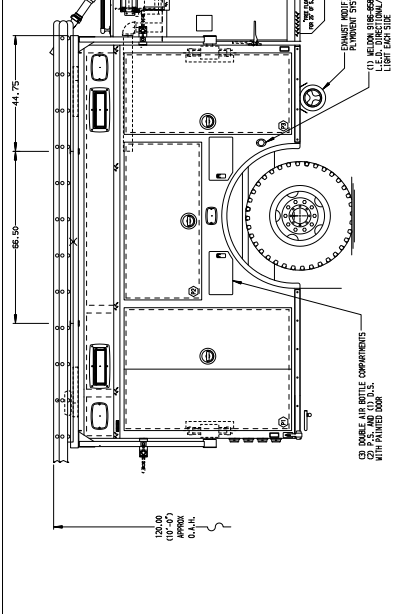
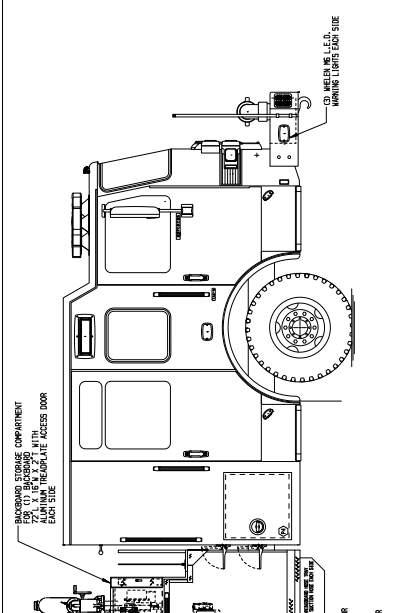
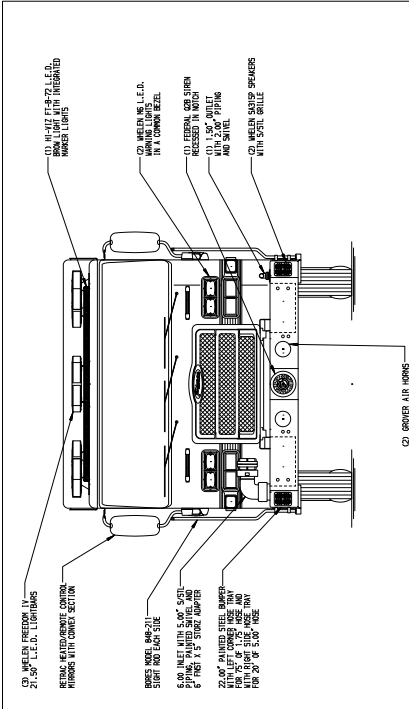
- Pierce Enforcer 84" Chassis with a 10" Raised Roof
- Detroit Diesel DD13 505 hp 2016 EPA compliant Engine
- Allison EVS4000P Automatic Transmission
- Waterous CMU 2000 GPM Two Stage Pump
- Harrison MSV 6kw Generator
- TAK-4 Independent Front Suspension
- 750 Gallon Poly Tank
- Delivered in November 2016



***FIRE & SAFETY SERVICES, LTD.***

South Plainfield, NJ

web: [www.f-ss.com](http://www.f-ss.com) · phone: 800-400-8017



JOB NO. 29777		DATE	
SCALE 1:24		DRAWN BY 01FFEB16	
TITLE 2000-D-750P, 152, FULL HEIGHT, FOLDER (2) X-LAYS, DELUGE GENERATOR, CABLE REEL		CREATED BY 02FFEB16	
BOROUGH OF WOODCLIFF LAKE FIRE DEPARTMENT		SHEET NO. 02FFEB16	
FOR PIERCE		SHEET SIZE D	
NO. 29777AD		1 OF 1	

MANUFACTURING INC.		ENFORCER NO.	
PIERCE		NO.	
2000-D-750P, 152, FULL HEIGHT, FOLDER (2) X-LAYS, DELUGE GENERATOR, CABLE REEL		NO.	
BOROUGH OF WOODCLIFF LAKE FIRE DEPARTMENT		NO.	
FOR PIERCE		NO.	
NO. 29777AD		NO.	

NOTE: DIMENSIONS SHOWN ARE APPROXIMATE AND ARE SUBJECT TO MINOR DEVIATIONS AS MAY OCCUR OR BE NECESSARY IN CONSTRUCTION. MINOR DETAILS NOT SHOWN.

1. ALL APPROXIMATE DIMENSIONS ARE APPROXIMATE.  
 2. SWITCH CHANGES INDICATED BY CHANGING DIMENSIONS TO D.S.S. (DASH)  
 3. DIMENSIONS SHOWN ARE APPROXIMATE AND ARE SUBJECT TO MINOR DEVIATIONS AS MAY OCCUR OR BE NECESSARY IN CONSTRUCTION.  
 4. DIMENSIONS SHOWN ARE APPROXIMATE AND ARE SUBJECT TO MINOR DEVIATIONS AS MAY OCCUR OR BE NECESSARY IN CONSTRUCTION.  
 5. DIMENSIONS SHOWN ARE APPROXIMATE AND ARE SUBJECT TO MINOR DEVIATIONS AS MAY OCCUR OR BE NECESSARY IN CONSTRUCTION.  
 6. DIMENSIONS SHOWN ARE APPROXIMATE AND ARE SUBJECT TO MINOR DEVIATIONS AS MAY OCCUR OR BE NECESSARY IN CONSTRUCTION.  
 7. DIMENSIONS SHOWN ARE APPROXIMATE AND ARE SUBJECT TO MINOR DEVIATIONS AS MAY OCCUR OR BE NECESSARY IN CONSTRUCTION.  
 8. DIMENSIONS SHOWN ARE APPROXIMATE AND ARE SUBJECT TO MINOR DEVIATIONS AS MAY OCCUR OR BE NECESSARY IN CONSTRUCTION.  
 9. DIMENSIONS SHOWN ARE APPROXIMATE AND ARE SUBJECT TO MINOR DEVIATIONS AS MAY OCCUR OR BE NECESSARY IN CONSTRUCTION.  
 10. DIMENSIONS SHOWN ARE APPROXIMATE AND ARE SUBJECT TO MINOR DEVIATIONS AS MAY OCCUR OR BE NECESSARY IN CONSTRUCTION.