



Pierce Enforcer Pumper
Borough of Merchantville
Job #29127

FEATURES & SPECIFICATIONS

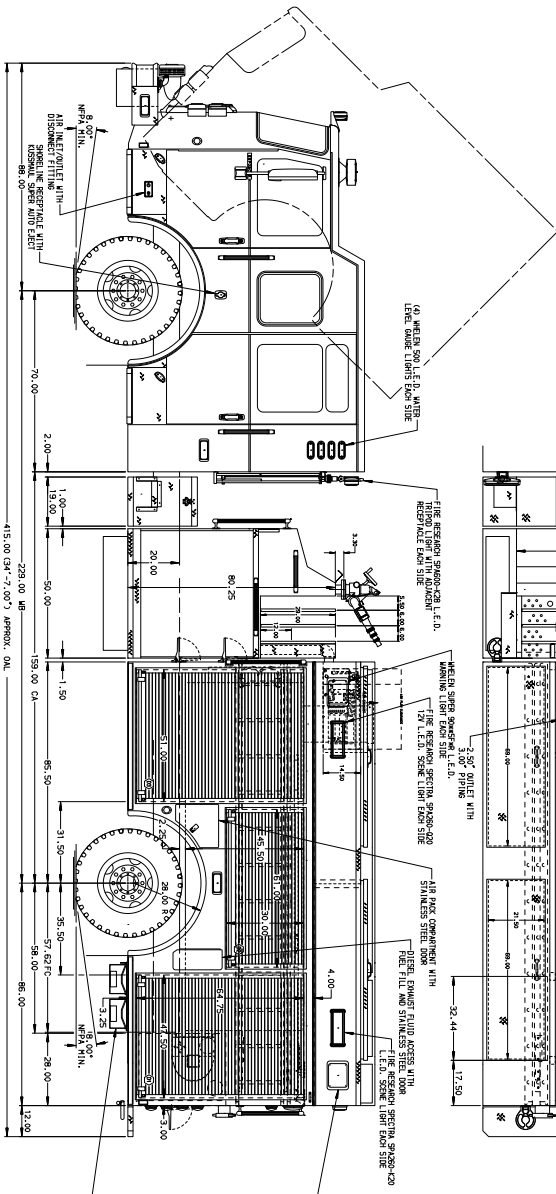
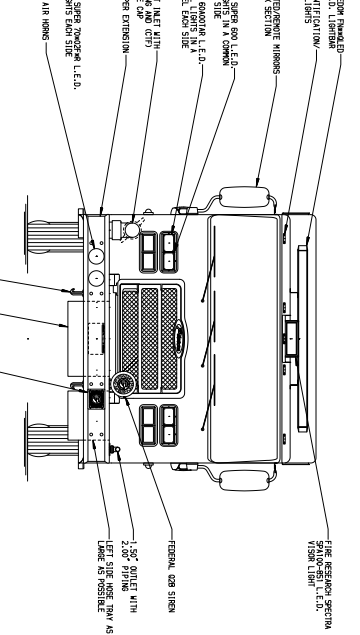
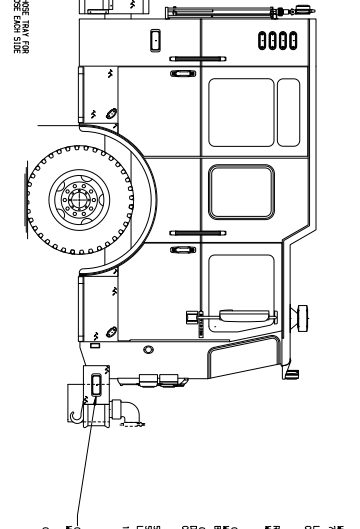
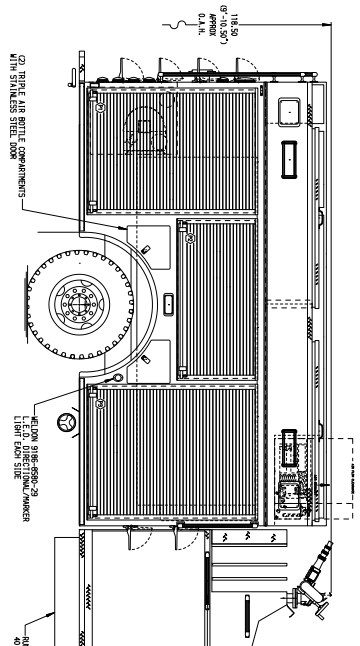
- Pierce Enforcer 70" Chassis with 10" Raised Roof
- Cummins ISL9 450 hp Engine
- Allison EVS3000 P Automatic Transmission
- Hale QMAX-200 2000 GPM Single Stage Pump
- 900 Gallon Poly Tank
- Delivered in March 2016



FIRE & SAFETY SERVICES, LTD.

South Plainfield, NJ

web: www.f-ss.com · phone: 800-400-8017



STAINLESS STEEL BODY **MAXIMUM O.A.H. 118.50"**

NOTE
DIMENSIONS SHOWN ARE APPROXIMATE
AND ARE SUBJECT TO MINOR DEVIATIONS
AS MAY OCCUR OR BE NECESSARY IN
CONSTRUCTION.
HIDDEN DETAILS NOT SHOWN.

REV	DATE	BY	OR	ENR/ORDER	NO.	CHASSIS DATA	TITLE	JOB NO.	SCALE	DATE
0	06/20/15	BSJ	DTS			2000-0-900P, 171" PUMPER RESCUE BODY, DELUXE	29127AD	29127	1:24	09JUL15
1	09/27/15	BSJ	DTS			LABOURER OF MERCHANTVILLE				15JUL15
2	23/11/15	BSJ	CSH			MERCHANTVILLE, NJ				1 of 1

Pierce MANUFACTURING INC.

ISSUED CAPABILITIES

- (1) 200" OF 3.00" O.D., 100' MAX WISE
- (2) 200" OF 2.00" O.D., 100' MAX WISE
- (3) 1000" OF 5.00" O.D., 100' MAX WISE

ITEMS TO BE SUPPLIED BY OTHERS:

- (4) 6" WATER PUMP
- (5) 10" WATER PUMP
- (6) 20" WATER PUMP
- (7) 30" WATER PUMP
- (8) 40" WATER PUMP
- (9) 50" WATER PUMP
- (10) 60" WATER PUMP
- (11) 70" WATER PUMP
- (12) 80" WATER PUMP
- (13) 90" WATER PUMP
- (14) 100" WATER PUMP
- (15) 110" WATER PUMP
- (16) 120" WATER PUMP
- (17) 130" WATER PUMP
- (18) 140" WATER PUMP
- (19) 150" WATER PUMP
- (20) 160" WATER PUMP
- (21) 170" WATER PUMP
- (22) 180" WATER PUMP
- (23) 190" WATER PUMP
- (24) 200" WATER PUMP
- (25) 210" WATER PUMP
- (26) 220" WATER PUMP
- (27) 230" WATER PUMP
- (28) 240" WATER PUMP
- (29) 250" WATER PUMP
- (30) 260" WATER PUMP
- (31) 270" WATER PUMP
- (32) 280" WATER PUMP
- (33) 290" WATER PUMP
- (34) 300" WATER PUMP
- (35) 310" WATER PUMP
- (36) 320" WATER PUMP
- (37) 330" WATER PUMP
- (38) 340" WATER PUMP
- (39) 350" WATER PUMP
- (40) 360" WATER PUMP
- (41) 370" WATER PUMP
- (42) 380" WATER PUMP
- (43) 390" WATER PUMP
- (44) 400" WATER PUMP
- (45) 410" WATER PUMP
- (46) 420" WATER PUMP
- (47) 430" WATER PUMP
- (48) 440" WATER PUMP
- (49) 450" WATER PUMP
- (50) 460" WATER PUMP
- (51) 470" WATER PUMP
- (52) 480" WATER PUMP
- (53) 490" WATER PUMP
- (54) 500" WATER PUMP
- (55) 510" WATER PUMP
- (56) 520" WATER PUMP
- (57) 530" WATER PUMP
- (58) 540" WATER PUMP
- (59) 550" WATER PUMP
- (60) 560" WATER PUMP
- (61) 570" WATER PUMP
- (62) 580" WATER PUMP
- (63) 590" WATER PUMP
- (64) 600" WATER PUMP
- (65) 610" WATER PUMP
- (66) 620" WATER PUMP
- (67) 630" WATER PUMP
- (68) 640" WATER PUMP
- (69) 650" WATER PUMP
- (70) 660" WATER PUMP
- (71) 670" WATER PUMP
- (72) 680" WATER PUMP
- (73) 690" WATER PUMP
- (74) 700" WATER PUMP
- (75) 710" WATER PUMP
- (76) 720" WATER PUMP
- (77) 730" WATER PUMP
- (78) 740" WATER PUMP
- (79) 750" WATER PUMP
- (80) 760" WATER PUMP
- (81) 770" WATER PUMP
- (82) 780" WATER PUMP
- (83) 790" WATER PUMP
- (84) 800" WATER PUMP
- (85) 810" WATER PUMP
- (86) 820" WATER PUMP
- (87) 830" WATER PUMP
- (88) 840" WATER PUMP
- (89) 850" WATER PUMP
- (90) 860" WATER PUMP
- (91) 870" WATER PUMP
- (92) 880" WATER PUMP
- (93) 890" WATER PUMP
- (94) 900" WATER PUMP
- (95) 910" WATER PUMP
- (96) 920" WATER PUMP
- (97) 930" WATER PUMP
- (98) 940" WATER PUMP
- (99) 950" WATER PUMP
- (100) 960" WATER PUMP
- (101) 970" WATER PUMP
- (102) 980" WATER PUMP
- (103) 990" WATER PUMP
- (104) 1000" WATER PUMP
- (105) 1010" WATER PUMP
- (106) 1020" WATER PUMP
- (107) 1030" WATER PUMP
- (108) 1040" WATER PUMP
- (109) 1050" WATER PUMP
- (110) 1060" WATER PUMP
- (111) 1070" WATER PUMP
- (112) 1080" WATER PUMP
- (113) 1090" WATER PUMP
- (114) 1100" WATER PUMP
- (115) 1110" WATER PUMP
- (116) 1120" WATER PUMP
- (117) 1130" WATER PUMP
- (118) 1140" WATER PUMP
- (119) 1150" WATER PUMP
- (120) 1160" WATER PUMP
- (121) 1170" WATER PUMP
- (122) 1180" WATER PUMP
- (123) 1190" WATER PUMP
- (124) 1200" WATER PUMP
- (125) 1210" WATER PUMP
- (126) 1220" WATER PUMP
- (127) 1230" WATER PUMP
- (128) 1240" WATER PUMP
- (129) 1250" WATER PUMP
- (130) 1260" WATER PUMP
- (131) 1270" WATER PUMP
- (132) 1280" WATER PUMP
- (133) 1290" WATER PUMP
- (134) 1300" WATER PUMP
- (135) 1310" WATER PUMP
- (136) 1320" WATER PUMP
- (137) 1330" WATER PUMP
- (138) 1340" WATER PUMP
- (139) 1350" WATER PUMP
- (140) 1360" WATER PUMP
- (141) 1370" WATER PUMP
- (142) 1380" WATER PUMP
- (143) 1390" WATER PUMP
- (144) 1400" WATER PUMP
- (145) 1410" WATER PUMP
- (146) 1420" WATER PUMP
- (147) 1430" WATER PUMP
- (148) 1440" WATER PUMP
- (149) 1450" WATER PUMP
- (150) 1460" WATER PUMP
- (151) 1470" WATER PUMP
- (152) 1480" WATER PUMP
- (153) 1490" WATER PUMP
- (154) 1500" WATER PUMP
- (155) 1510" WATER PUMP
- (156) 1520" WATER PUMP
- (157) 1530" WATER PUMP
- (158) 1540" WATER PUMP
- (159) 1550" WATER PUMP
- (160) 1560" WATER PUMP
- (161) 1570" WATER PUMP
- (162) 1580" WATER PUMP
- (163) 1590" WATER PUMP
- (164) 1600" WATER PUMP
- (165) 1610" WATER PUMP
- (166) 1620" WATER PUMP
- (167) 1630" WATER PUMP
- (168) 1640" WATER PUMP
- (169) 1650" WATER PUMP
- (170) 1660" WATER PUMP
- (171) 1670" WATER PUMP
- (172) 1680" WATER PUMP
- (173) 1690" WATER PUMP
- (174) 1700" WATER PUMP
- (175) 1710" WATER PUMP
- (176) 1720" WATER PUMP
- (177) 1730" WATER PUMP
- (178) 1740" WATER PUMP
- (179) 1750" WATER PUMP
- (180) 1760" WATER PUMP
- (181) 1770" WATER PUMP
- (182) 1780" WATER PUMP
- (183) 1790" WATER PUMP
- (184) 1800" WATER PUMP
- (185) 1810" WATER PUMP
- (186) 1820" WATER PUMP
- (187) 1830" WATER PUMP
- (188) 1840" WATER PUMP
- (189) 1850" WATER PUMP
- (190) 1860" WATER PUMP
- (191) 1870" WATER PUMP
- (192) 1880" WATER PUMP
- (193) 1890" WATER PUMP
- (194) 1900" WATER PUMP
- (195) 1910" WATER PUMP
- (196) 1920" WATER PUMP
- (197) 1930" WATER PUMP
- (198) 1940" WATER PUMP
- (199) 1950" WATER PUMP
- (200) 1960" WATER PUMP
- (201) 1970" WATER PUMP
- (202) 1980" WATER PUMP
- (203) 1990" WATER PUMP
- (204) 2000" WATER PUMP