



Pierce Velocity Pumper  
Bridgewater Fire District #2  
Job #28738

FEATURES & SPECIFICATIONS

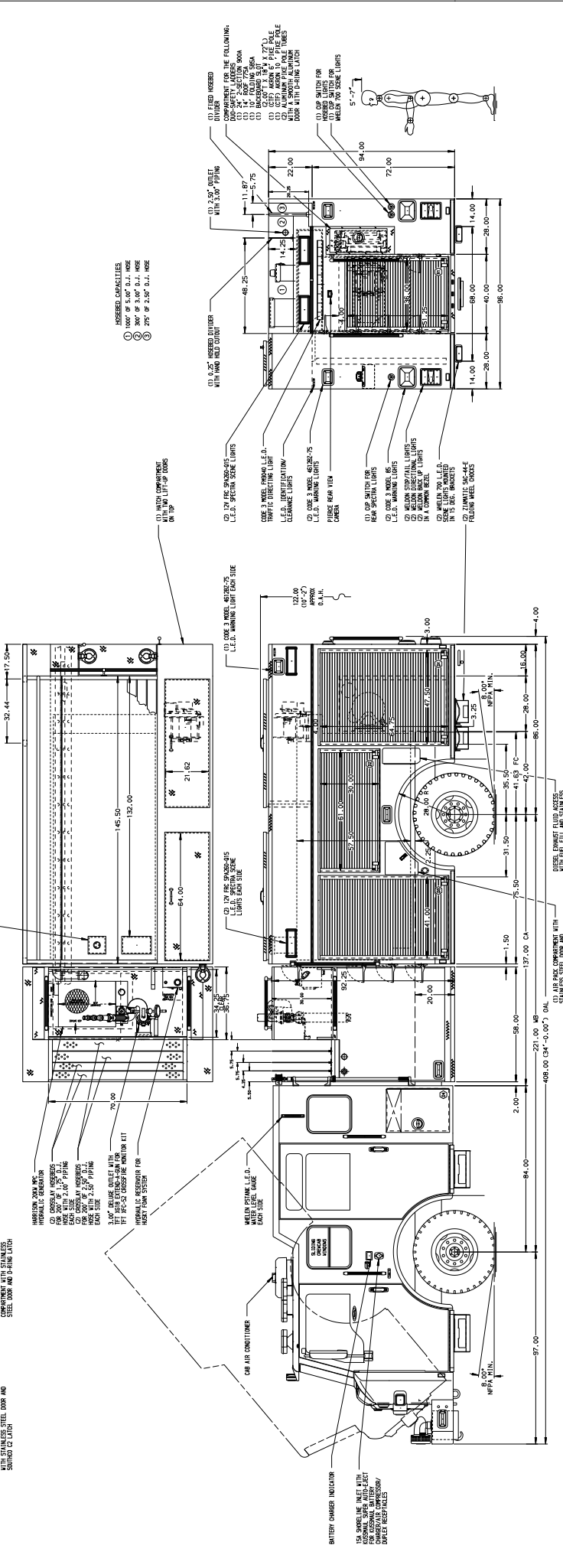
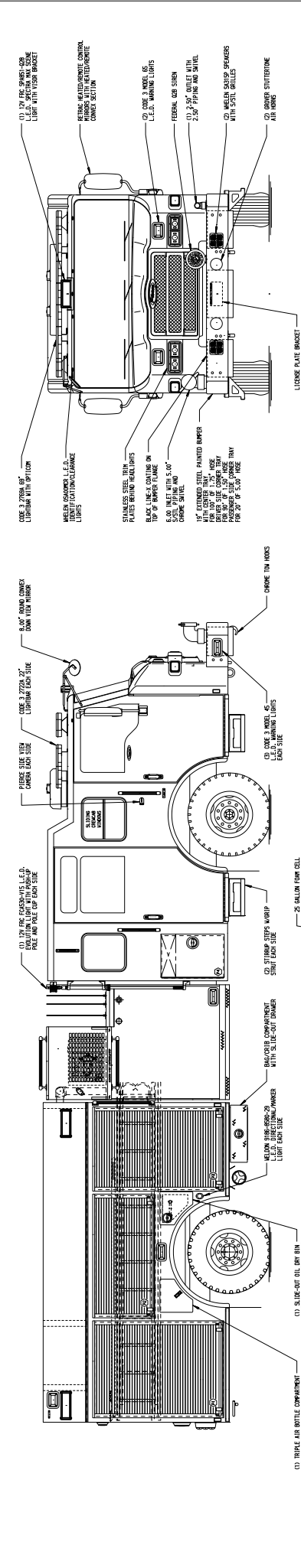
- Pierce Velocity 84" Chassis with 10" Raised Roof
- Cummins ISL9 450 hp Engine
- Allison EVS4000 P Automatic Transmission
- Waterous CMU 1500 GPM Two Stage Pump
- 1000 Gallon Poly Tank
- Delivered in November 2015



***FIRE & SAFETY SERVICES, LTD.***

South Plainfield, NJ

web: [www.f-ss.com](http://www.f-ss.com) · phone: 800-400-8017



			JOB NO.	28738
			SCALE	1:24
			DRAWN BY	15MAR15
			CREATED BY	17MAR15
			SHEET NO.	1 OF 1
			TITLE	1500-D-1000P W/255 FOAM, 161\"/>
			DATE	
			CHASSIS DATA	
			VELOCITY	
			DATE	
			BR	
			CH	
			DTS	
			NPA	
			DMG	
			NO.	

NOTE: DIMENSIONS SHOWN ARE APPROXIMATE AND ARE SUBJECT TO MINOR DEVIATIONS AS MAY OCCUR OR BE NECESSARY IN CONSTRUCTION. MINOR DETAILS NOT SHOWN.