



Pierce Saber Pumper
Township of Bloomfield
Job #28531

FEATURES & SPECIFICATIONS

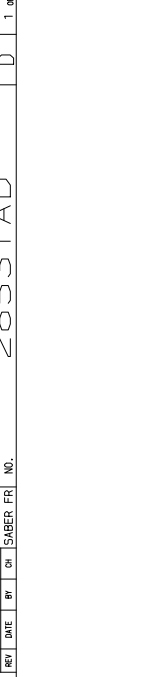
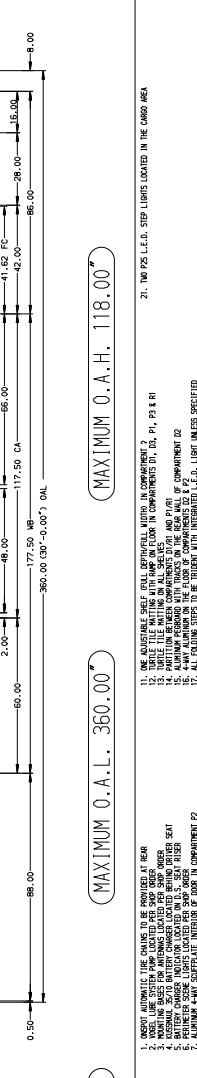
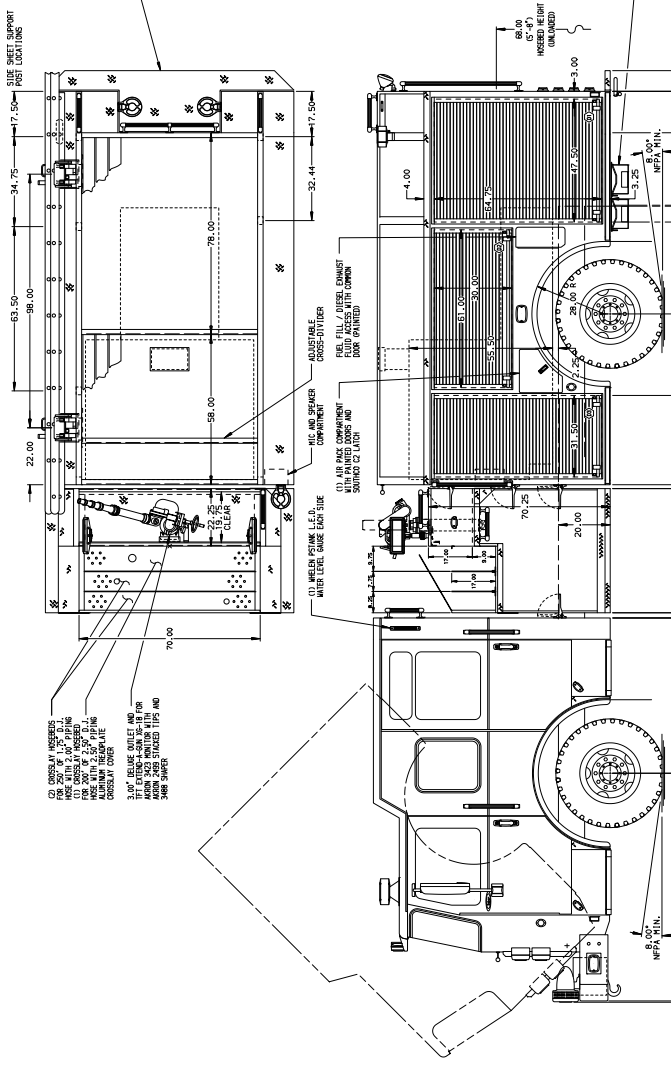
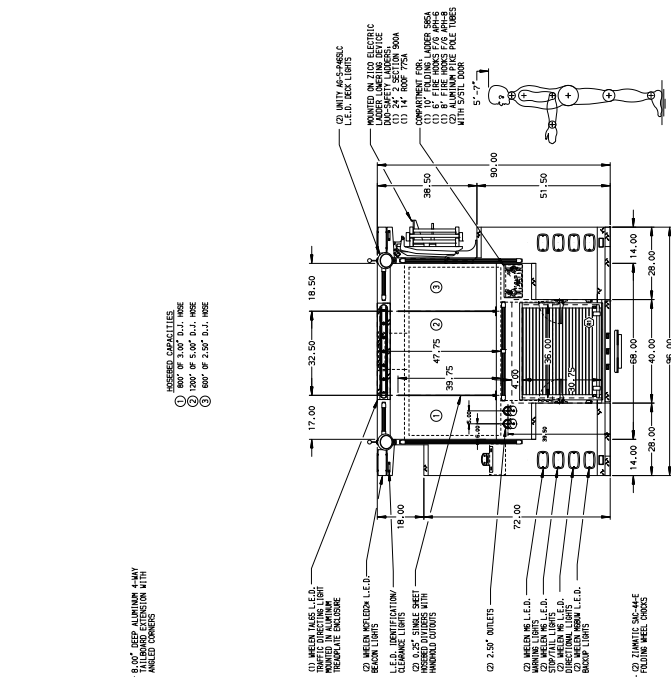
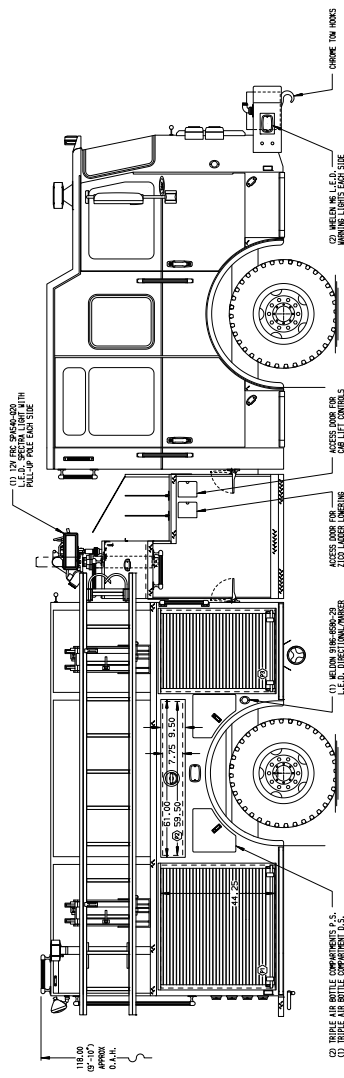
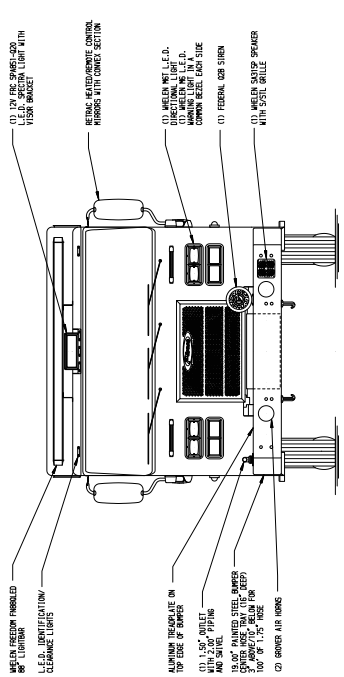
- Pierce Saber 60" Chassis with 10" Raised Roof (Seats 6)
- Cummins ISL9 400 hp Engine
- Allison EVS3000 P Automatic Transmission
- Waterous CSU 1500 GPM Single Stage Pump
- 750 Gallon NY Style Poly Tank
- Delivered in September 2015



FIRE & SAFETY SERVICES, LTD.

South Plainfield, NJ

web: www.f-ss.com · phone: 800-400-8017



CUSTOMER APPROVAL		JOB NO.	28531
APPROVED BY:		SCALE	1:24
DATE:		DATE	26 JANIS
		DESIGN BY	NFA
		CHECKED BY	CSH
		SHEET SIZE	D
		SHEET NO.	1 OF 1

Pierce		MANUFACTURING INC.	
TITLE 1500-D-750 GAL. POLY, 152" FH DS, 3/4 HGT BROOM PS			
SIDE CONTROL, (3) ALANS, ZICO LADDER RACK, DELUGE			
FOR TOWNSHIP OF BLOOMFIELD			
PIERCE FOR BLOOMFIELD, NEW JERSEY			
REV	DATE	BY	CHK
1			

ALUMINUM BODY		MAXIMUM O.A.H. 118.00"	
MAXIMUM O.A.L. 360.00"		MAXIMUM O.A.H. 118.00"	

1. INSERT AUTOMATIC CHAINS TO BE PROVIDED AT REAR

2. WORKING BUSES FOR AIRWAYS LEADING TO STOP ARMOR, 501

3. 5.0" DIA. CHAIN RINGS TO BE PROVIDED AT REAR

4. 5.0" DIA. CHAIN RINGS TO BE PROVIDED AT REAR

5. 5.0" DIA. CHAIN RINGS TO BE PROVIDED AT REAR

6. 5.0" DIA. CHAIN RINGS TO BE PROVIDED AT REAR

7. 5.0" DIA. CHAIN RINGS TO BE PROVIDED AT REAR

8. 5.0" DIA. CHAIN RINGS TO BE PROVIDED AT REAR

9. 5.0" DIA. CHAIN RINGS TO BE PROVIDED AT REAR

10. 5.0" DIA. CHAIN RINGS TO BE PROVIDED AT REAR