



Pierce Heavy Duty Non-Walk-In Rescue
New Jersey Transit
Job #28505

FEATURES & SPECIFICATIONS

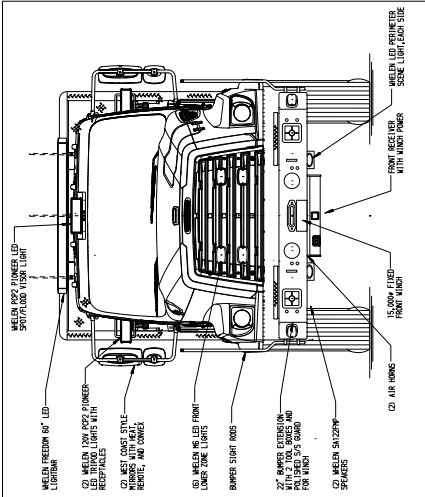
- Freightliner M2 112 Commercial Chassis
- Detroit Diesel DD13 450 hp Engine
- Allison EVS4000 P Automatic Transmission
- No Pump
- No Tank
- Delivered in December 2015



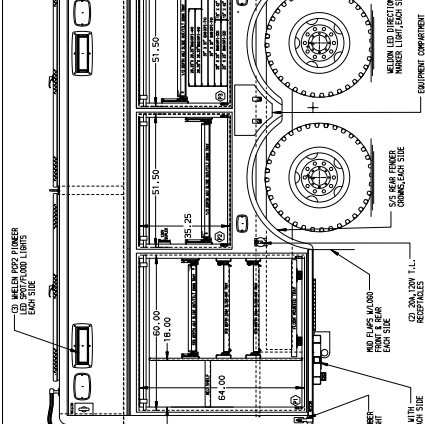
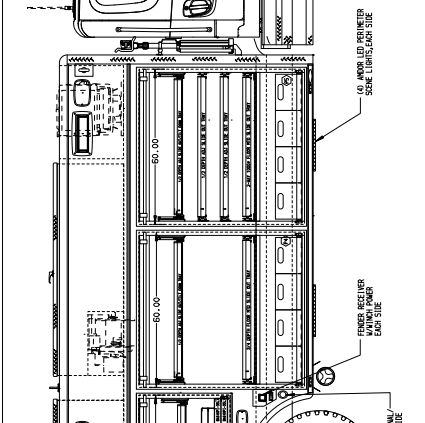
FIRE & SAFETY SERVICES, LTD.

South Plainfield, NJ

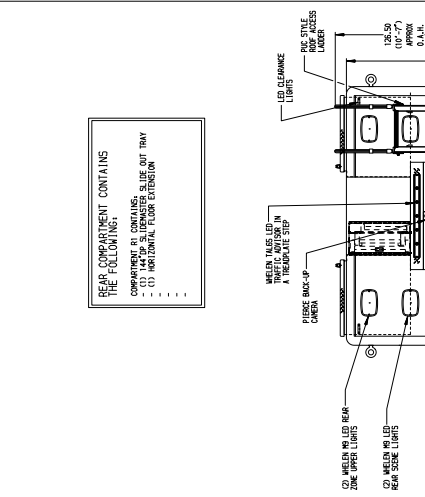
web: www.f-ss.com · phone: 800-400-8017



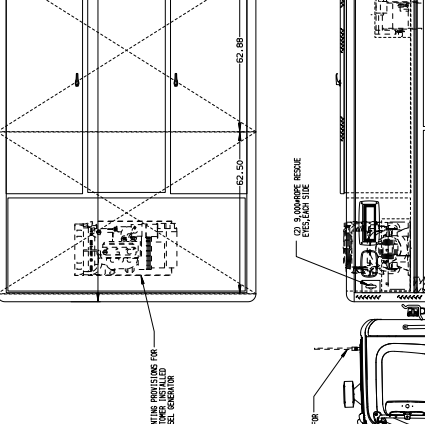
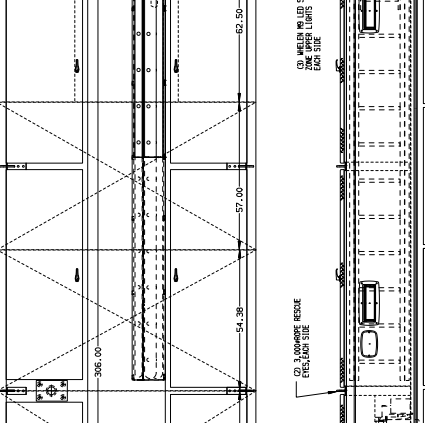
- MELDED FRONT PINKER LED SPECIFIED LIGHT
- MELDED FRONT PINKER LED
- MELDED LOW PINKER LED SPECIFIED LIGHTS WITH RECEPTALES
- LOW PINKER LED SPECIFIED LIGHTS WITH RECEPTALES
- LOW PINKER LED SPECIFIED LIGHTS WITH RECEPTALES
- MELDED FRONT LED SPECIFIED LIGHTS
- LOW PINKER LED SPECIFIED LIGHTS WITH RECEPTALES
- LOW PINKER LED SPECIFIED LIGHTS WITH RECEPTALES
- LOW PINKER LED SPECIFIED LIGHTS WITH RECEPTALES
- LOW PINKER LED SPECIFIED LIGHTS WITH RECEPTALES



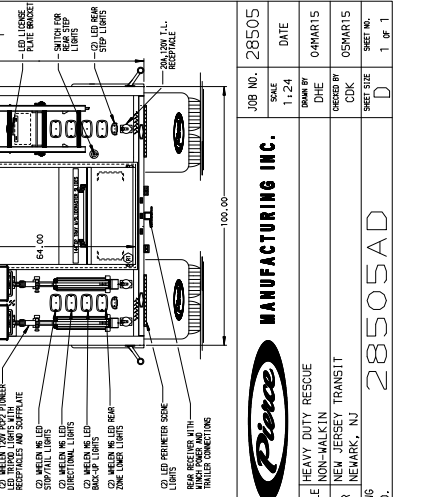
- PASSENGER'S SIDE COMPARTMENTS CONTAIN THE FOLLOWING:**
- COMPARTMENT P1 CONTAINS:
 - (1) 5/8" DEPTH, 1/2" DIA. SIDE OUT/TILT TRAY
 - (1) 5/8" DEPTH, 1/2" DIA. SIDE OUT/TILT TRAY
 - (1) 5/8" DEPTH, 1/2" DIA. SIDE OUT/TILT TRAY
 - (1) 5/8" DEPTH, 1/2" DIA. SIDE OUT/TILT TRAY
 - COMPARTMENT P2 CONTAINS:
 - (1) 1/2" DEPTH, 1/2" DIA. SIDE OUT/TILT TRAY
 - (1) 1/2" DEPTH, 1/2" DIA. SIDE OUT/TILT TRAY
 - (1) 1/2" DEPTH, 1/2" DIA. SIDE OUT/TILT TRAY
 - (1) 1/2" DEPTH, 1/2" DIA. SIDE OUT/TILT TRAY
 - COMPARTMENT P3 CONTAINS:
 - (1) 1/2" DEPTH, 1/2" DIA. SIDE OUT/TILT TRAY
 - (1) 1/2" DEPTH, 1/2" DIA. SIDE OUT/TILT TRAY
 - (1) 1/2" DEPTH, 1/2" DIA. SIDE OUT/TILT TRAY
 - (1) 1/2" DEPTH, 1/2" DIA. SIDE OUT/TILT TRAY



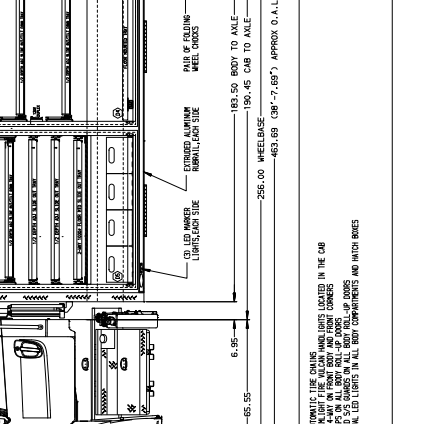
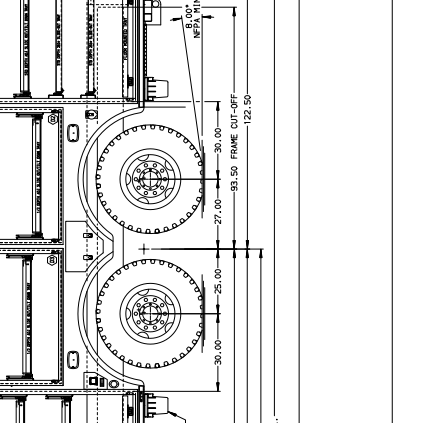
- DRIVER'S SIDE COMPARTMENTS CONTAIN THE FOLLOWING:**
- COMPARTMENT D1 CONTAINS:
 - (1) 1/2" DEPTH, 1/2" DIA. SIDE OUT/TILT TRAY
 - (1) 1/2" DEPTH, 1/2" DIA. SIDE OUT/TILT TRAY
 - (1) 1/2" DEPTH, 1/2" DIA. SIDE OUT/TILT TRAY
 - (1) 1/2" DEPTH, 1/2" DIA. SIDE OUT/TILT TRAY
 - COMPARTMENT D2 CONTAINS:
 - (1) 1/2" DEPTH, 1/2" DIA. SIDE OUT/TILT TRAY
 - (1) 1/2" DEPTH, 1/2" DIA. SIDE OUT/TILT TRAY
 - (1) 1/2" DEPTH, 1/2" DIA. SIDE OUT/TILT TRAY
 - (1) 1/2" DEPTH, 1/2" DIA. SIDE OUT/TILT TRAY
 - COMPARTMENT D3 CONTAINS:
 - (1) 1/2" DEPTH, 1/2" DIA. SIDE OUT/TILT TRAY
 - (1) 1/2" DEPTH, 1/2" DIA. SIDE OUT/TILT TRAY
 - (1) 1/2" DEPTH, 1/2" DIA. SIDE OUT/TILT TRAY
 - (1) 1/2" DEPTH, 1/2" DIA. SIDE OUT/TILT TRAY



- REAR COMPARTMENT CONTAINS THE FOLLOWING:**
- COMPARTMENT R1 CONTAINS:
 - (1) 1/2" DEPTH, 1/2" DIA. SIDE OUT/TILT TRAY
 - (1) 1/2" DEPTH, 1/2" DIA. SIDE OUT/TILT TRAY
 - (1) 1/2" DEPTH, 1/2" DIA. SIDE OUT/TILT TRAY
 - (1) 1/2" DEPTH, 1/2" DIA. SIDE OUT/TILT TRAY
 - COMPARTMENT R2 CONTAINS:
 - (1) 1/2" DEPTH, 1/2" DIA. SIDE OUT/TILT TRAY
 - (1) 1/2" DEPTH, 1/2" DIA. SIDE OUT/TILT TRAY
 - (1) 1/2" DEPTH, 1/2" DIA. SIDE OUT/TILT TRAY
 - (1) 1/2" DEPTH, 1/2" DIA. SIDE OUT/TILT TRAY
 - COMPARTMENT R3 CONTAINS:
 - (1) 1/2" DEPTH, 1/2" DIA. SIDE OUT/TILT TRAY
 - (1) 1/2" DEPTH, 1/2" DIA. SIDE OUT/TILT TRAY
 - (1) 1/2" DEPTH, 1/2" DIA. SIDE OUT/TILT TRAY
 - (1) 1/2" DEPTH, 1/2" DIA. SIDE OUT/TILT TRAY



- FRONT COMPARTMENT CONTAINS THE FOLLOWING:**
- COMPARTMENT F1 CONTAINS:
 - (1) 1/2" DEPTH, 1/2" DIA. SIDE OUT/TILT TRAY
 - (1) 1/2" DEPTH, 1/2" DIA. SIDE OUT/TILT TRAY
 - (1) 1/2" DEPTH, 1/2" DIA. SIDE OUT/TILT TRAY
 - (1) 1/2" DEPTH, 1/2" DIA. SIDE OUT/TILT TRAY
 - COMPARTMENT F2 CONTAINS:
 - (1) 1/2" DEPTH, 1/2" DIA. SIDE OUT/TILT TRAY
 - (1) 1/2" DEPTH, 1/2" DIA. SIDE OUT/TILT TRAY
 - (1) 1/2" DEPTH, 1/2" DIA. SIDE OUT/TILT TRAY
 - (1) 1/2" DEPTH, 1/2" DIA. SIDE OUT/TILT TRAY
 - COMPARTMENT F3 CONTAINS:
 - (1) 1/2" DEPTH, 1/2" DIA. SIDE OUT/TILT TRAY
 - (1) 1/2" DEPTH, 1/2" DIA. SIDE OUT/TILT TRAY
 - (1) 1/2" DEPTH, 1/2" DIA. SIDE OUT/TILT TRAY
 - (1) 1/2" DEPTH, 1/2" DIA. SIDE OUT/TILT TRAY



- NOTE**
- DIMENSIONS SHOWN ARE APPROXIMATE AND ARE SUBJECT TO MINOR DEVIATIONS AS MAY OCCUR OR BE NECESSARY IN CONSTRUCTION.
 - MINOR DETAILS NOT SHOWN.
 - FRONT VIEW OF THE TRUCK IS SUBJECT TO MINOR DEVIATIONS AS MAY OCCUR OR BE NECESSARY IN CONSTRUCTION.
 - FRONT VIEW OF THE TRUCK IS SUBJECT TO MINOR DEVIATIONS AS MAY OCCUR OR BE NECESSARY IN CONSTRUCTION.
 - FRONT VIEW OF THE TRUCK IS SUBJECT TO MINOR DEVIATIONS AS MAY OCCUR OR BE NECESSARY IN CONSTRUCTION.
 - FRONT VIEW OF THE TRUCK IS SUBJECT TO MINOR DEVIATIONS AS MAY OCCUR OR BE NECESSARY IN CONSTRUCTION.

Pierce

MANUFACTURING INC.

JOB NO. 28505
SCALE 1:24
DATE 04MAR15
DRAWN BY DHE
DESIGNED BY DHE
CHECKED BY DHE
DATE 04MAR15
SHEET NO. D
1 OF 1

TITLE HEAVY DUTY RESCUE
NON-WALKIN
NEW JERSEY TRANSIT
NEWARK, NJ
28505AD

REV	DATE	BY	CHK	DWG NO.
1				42-1145D

CHASSIS DATA	TRAILER CONNECTIONS
<ul style="list-style-type: none"> 23 JUNIS DHE DEWIS DHE DEWIS DHE ALZ ALZ ALZ ALZ ALZ ALZ ALZ 	<ul style="list-style-type: none"> HEAVY DUTY RESCUE NON-WALKIN NEW JERSEY TRANSIT NEWARK, NJ 28505AD