



Pierce Encore Rescue
Township of West Milford
Job #28335

FEATURES & SPECIFICATIONS

- Pierce Encore/Saber Chassis with 12" Raised Roof
- Cummins ISL9 450 hp Engine
- Allison EVS3000 P Automatic Transmission
- No Tank/No Pump
- Onan 35kw Generator
- Delivered in October 2015



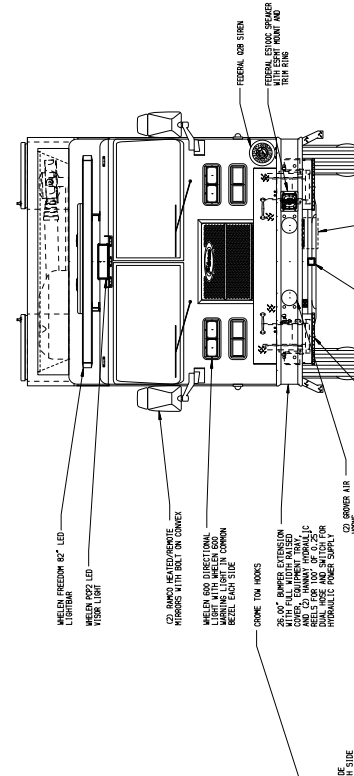
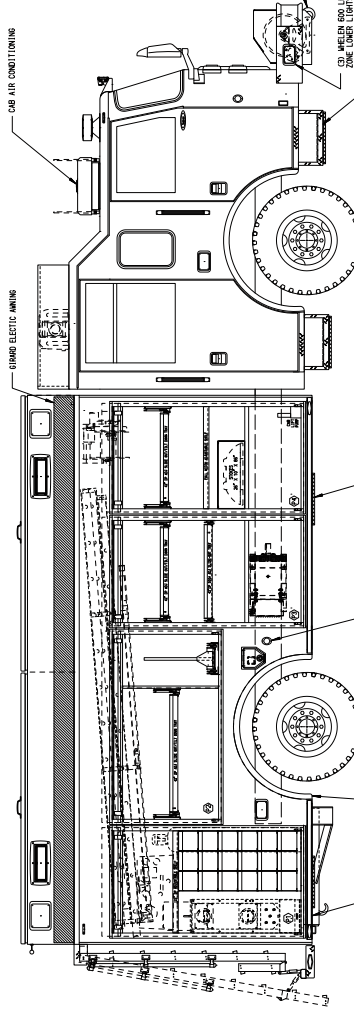
FIRE & SAFETY SERVICES, LTD.

South Plainfield, NJ

web: www.f-ss.com · phone: 800-400-8017

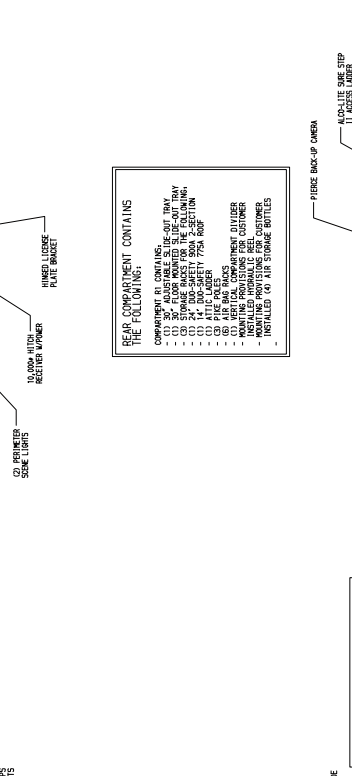
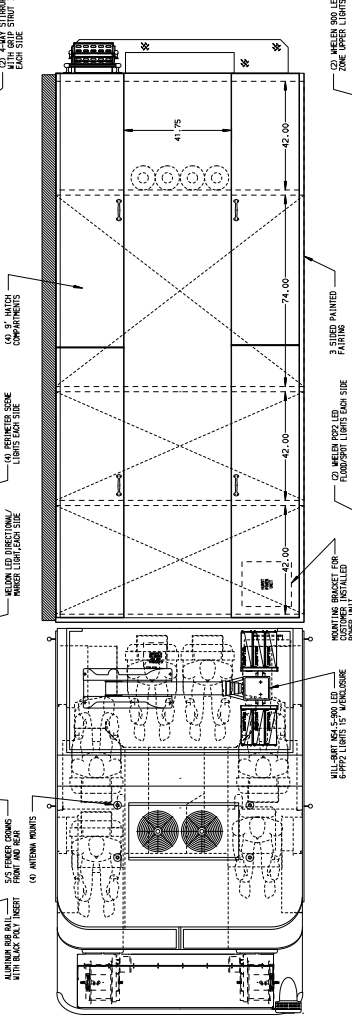
PASSENGER'S SIDE COMPARTMENTS CONTAIN THE FOLLOWING:

- COMPARTMENT P1 CONTAINS:
 - (1) 20" WIDE OVERHEAD SHELF
 - (1) 10" DEEP PAPER CONTAINER
 - (1) 20" DIA. WASTE RECEPTACLE
 - (1) 20" DIA. WASTE RECEPTACLE
- COMPARTMENT P2 CONTAINS:
 - (1) 20" WIDE OVERHEAD SHELF
 - (1) 10" DEEP PAPER CONTAINER
 - (1) 20" DIA. WASTE RECEPTACLE
- COMPARTMENT P3 CONTAINS:
 - (1) 20" WIDE OVERHEAD SHELF
 - (1) 10" DEEP PAPER CONTAINER
 - (1) 20" DIA. WASTE RECEPTACLE
- COMPARTMENT P4 CONTAINS:
 - (1) 20" WIDE OVERHEAD SHELF
 - (1) 10" DEEP PAPER CONTAINER
 - (1) 20" DIA. WASTE RECEPTACLE



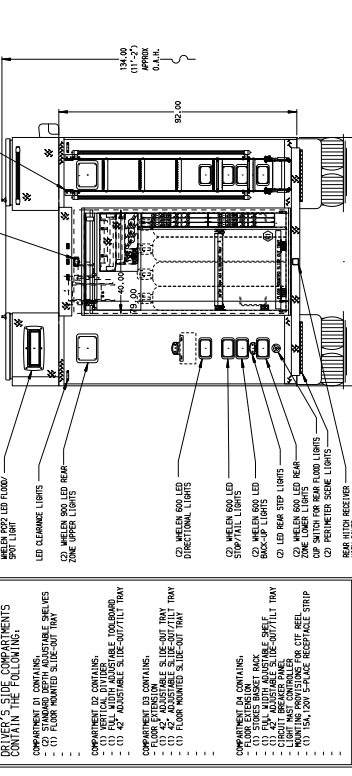
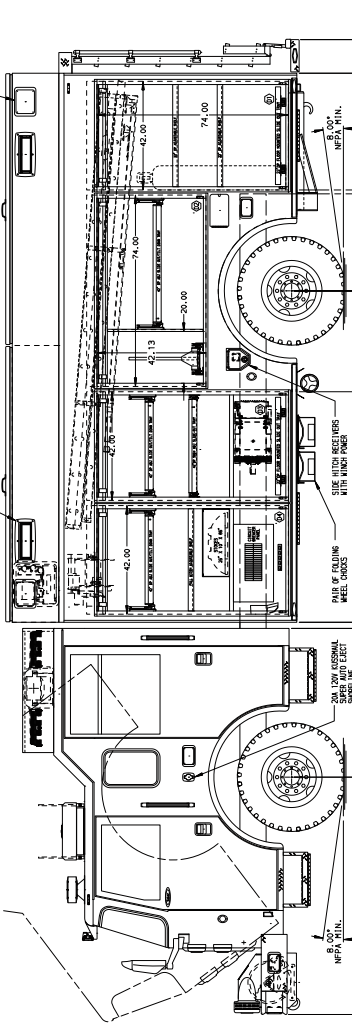
REAR COMPARTMENT CONTAINS THE FOLLOWING:

- COMPARTMENT R1 CONTAINS:
 - (1) 20" WIDE OVERHEAD SHELF
 - (1) 10" DEEP PAPER CONTAINER
 - (1) 20" DIA. WASTE RECEPTACLE
- COMPARTMENT R2 CONTAINS:
 - (1) 20" WIDE OVERHEAD SHELF
 - (1) 10" DEEP PAPER CONTAINER
 - (1) 20" DIA. WASTE RECEPTACLE
- COMPARTMENT R3 CONTAINS:
 - (1) 20" WIDE OVERHEAD SHELF
 - (1) 10" DEEP PAPER CONTAINER
 - (1) 20" DIA. WASTE RECEPTACLE
- COMPARTMENT R4 CONTAINS:
 - (1) 20" WIDE OVERHEAD SHELF
 - (1) 10" DEEP PAPER CONTAINER
 - (1) 20" DIA. WASTE RECEPTACLE



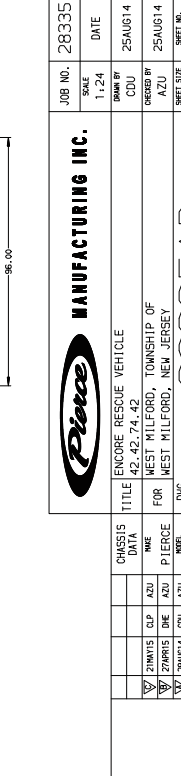
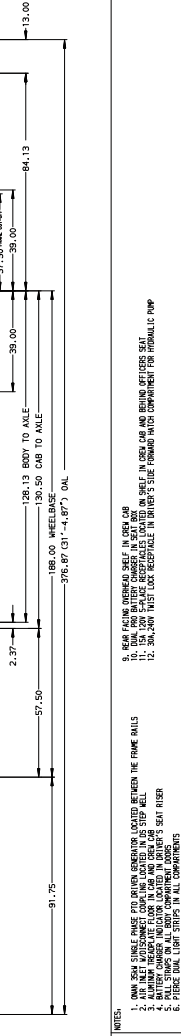
DRIVER'S SIDE COMPARTMENTS CONTAIN THE FOLLOWING:

- COMPARTMENT D1 CONTAINS:
 - (1) 20" WIDE OVERHEAD SHELF
 - (1) 10" DEEP PAPER CONTAINER
 - (1) 20" DIA. WASTE RECEPTACLE
- COMPARTMENT D2 CONTAINS:
 - (1) 20" WIDE OVERHEAD SHELF
 - (1) 10" DEEP PAPER CONTAINER
 - (1) 20" DIA. WASTE RECEPTACLE
- COMPARTMENT D3 CONTAINS:
 - (1) 20" WIDE OVERHEAD SHELF
 - (1) 10" DEEP PAPER CONTAINER
 - (1) 20" DIA. WASTE RECEPTACLE
- COMPARTMENT D4 CONTAINS:
 - (1) 20" WIDE OVERHEAD SHELF
 - (1) 10" DEEP PAPER CONTAINER
 - (1) 20" DIA. WASTE RECEPTACLE



NOTE:

- 20" DIA. WASTE RECEPTACLE TO BE INSTALLED BETWEEN THE FRAME RAILS
- 10" DEEP PAPER CONTAINER TO BE INSTALLED BETWEEN THE FRAME RAILS
- 20" DIA. WASTE RECEPTACLE TO BE INSTALLED BETWEEN THE FRAME RAILS
- 20" DIA. WASTE RECEPTACLE TO BE INSTALLED BETWEEN THE FRAME RAILS
- 20" DIA. WASTE RECEPTACLE TO BE INSTALLED BETWEEN THE FRAME RAILS
- 20" DIA. WASTE RECEPTACLE TO BE INSTALLED BETWEEN THE FRAME RAILS
- 20" DIA. WASTE RECEPTACLE TO BE INSTALLED BETWEEN THE FRAME RAILS
- 20" DIA. WASTE RECEPTACLE TO BE INSTALLED BETWEEN THE FRAME RAILS



JOB NO. 28335			
SCALE	DATE	DRW BY	DATE
1:24	25AUG14	CUU	25AUG14
TITLE		ENCORE RESCUE VEHICLE	
DATA		42-42-74-42	
28M15	CUP	AZU	
27M15	DIE	AZU	
25M14	COU	AZU	
REC	DATE	BP	CH
CHASSIS NO.		28335AD	
TITLE		ENCORE RESCUE VEHICLE	
DATA		42-42-74-42	
MAKE		FOR	
PIERCE		WEST MILFORD, NEW JERSEY	
MODEL			
DWG NO.		SAB5712	
SHEET NO.		D	
1 OF 1			